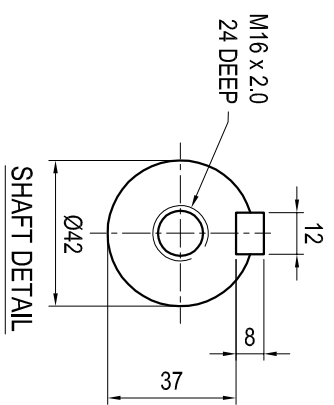


NOTE:
TERMINAL BOX CAN BE ROTATED 90° INTERVALS



All CMG products are regularly redesigned and improved and CMG reserves the right to change the design, technical specification and dimensions without prior notice.

POLES	KW	TYPE
2	18.5	HLA160L-2
4	15	HLA160L-4
6	11	HLA160L-6
8	7.5	HLA160L-8

ISS.	ALTERATION	DATE	DRN.	APP.	NP/CR
A	BASED ON L316L50A	10/12/07	LB	GW	NP1045

CMG
TECHNOLOGY P/L

19 CORPORATE AVE
ROSWILE VIC 3178
Ph: (03) 9237 4000
Fax: (03) 9237 4029
www.cmggroup.com.au

UNLESS OTHERWISE STATED
TOL. - LINEAR: ± 1
- ANGULAR: °

DRAWING STANDARD AS 1100
SIZE A3

TITLE	HLA 160L B5 MOTOR - Ø42 SHAFT				
CUST.	CMG	DATE	10/12/07	DRN.	L. BUTLER
SCALE	N.T.S.	DATE	10/12/07	CKD.	G. WEILIN
MATL.		DATE	30/7/08	CKD DATE	

DRG. No.	A316L50A
----------	----------