



M6.5

Industrial electric cart mover

M6.5

Z166.720



4,5 km/h



300 kg



6.000 kg



15 %



- For loads up to 6.000 kg.
- Swivel wheel linked to the tiller.
- Pneumatic wheels.
- Optional electric lifting system.
- 5-levels speed adjustment.
- Wide range of accessories and connections.

👁️ **Front View**



👁️ **Side View**



👁️ **Rear View**



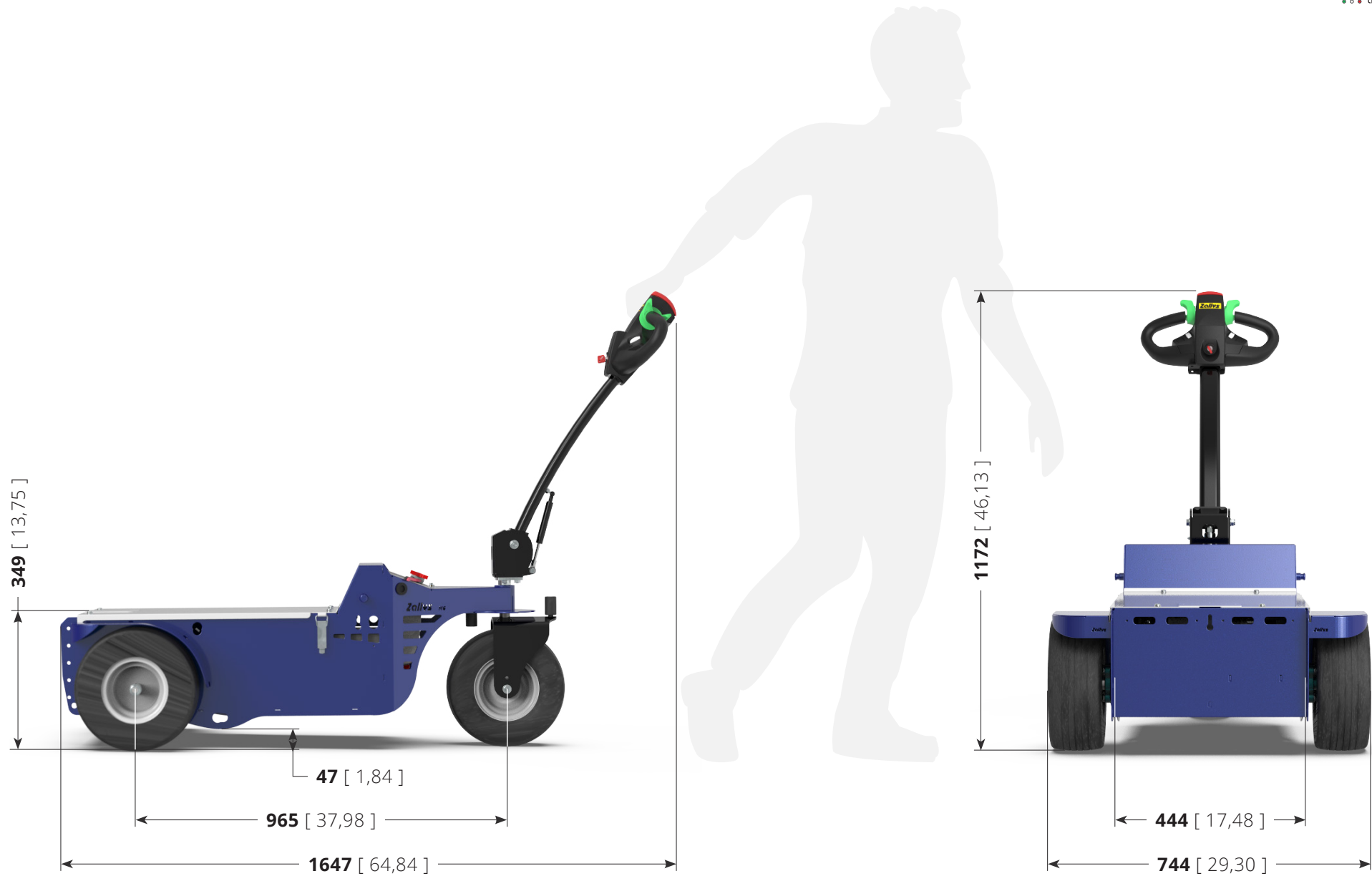


	TABLE: Z166.720	M6.5	Unit: mm [inch]
--	---------------------------	-------------	------------------------

Main sectors



AUTOMOTIVE



METALLURGICAL AND TURNING INDUSTRY



CARPENTRY AND PAINT SHOPS



GLASS INDUSTRY



PRODUCTION LINES



INTEGRATED LOGISTICS & RETAIL CHAINS

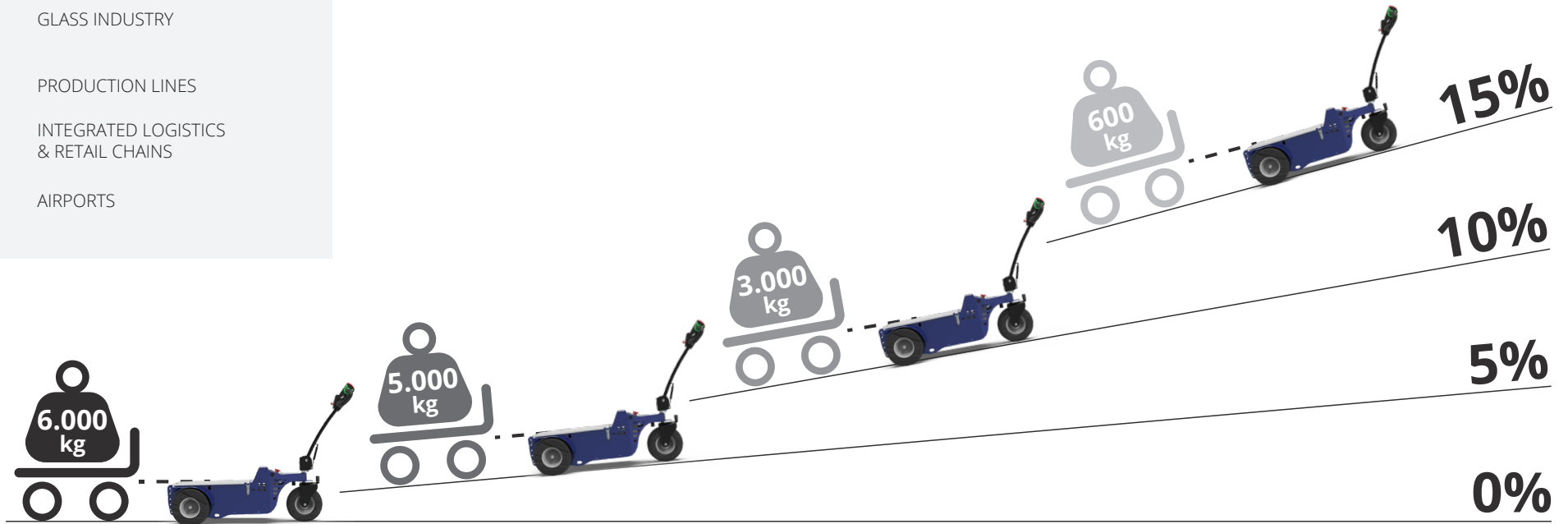


AIRPORTS

Performances on slopes

While the force expressed in N at the hook remains unchanged, the following circumstances **may affect the towing capacity expressed in kg:**

- **type of ground** on which the towing is performed;
- towing on **flat ground or on a slope;**
- use (or not) of **ballasts;**
- **type of wheels** mounted on the vehicle and on the trailer.



5 levels speed adjustment

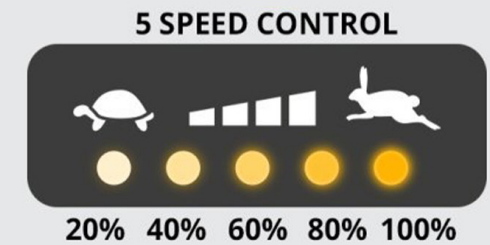
On the new M6.5 tillerhead by Zallys a button for the adjustment of the speed of the machine is mounted **as standard**. By clicking it, at each click you switch to the next level. This allows a fast and easy selection of the correct speed based on the kind of manoeuvre. **The Flex-to-Go system** has been studied to give a better maneuverability in confined spaces and more speed on the longer journeys.

Each click adds **20% more speed**.

Speed ramp:

20% - 40% - 60% - 80% - 100%

Once the maximum speed is reached, by pressing the button again it returns to 20%.



Ergonomic driving

Zallys' tillerhead has been conceived and produced to make the use of the machine more ergonomic for the operator, guaranteeing the right **comfort while driving during the work shift**. Its **ergonomic design** allows to have **all the driving controls at your fingertips**, the display with the battery charge level and the power key for an easy and fast ignition. **The structure** is made of **resistant materials** in case of accidental bumps.

Power key

5 speed selection

Anti-crush reverse button



Dashboard

Acoustic alarm

Maintained action drive controls



Pneumatic wheels

M6.5 is equipped with **pneumatic wheels**, suitable both for indoor and outdoor use, always guaranteeing the maximum grip and a really low level of vibrations. Moreover, the traction wheels are smaller compared to the other Zallys tow tugs' ones, to increase tow capacity and stability. The direction wheel is directly linked to the tiller, to move with incredible ease even the heaviest and bulkiest of loads.



Autonomy for a full workday

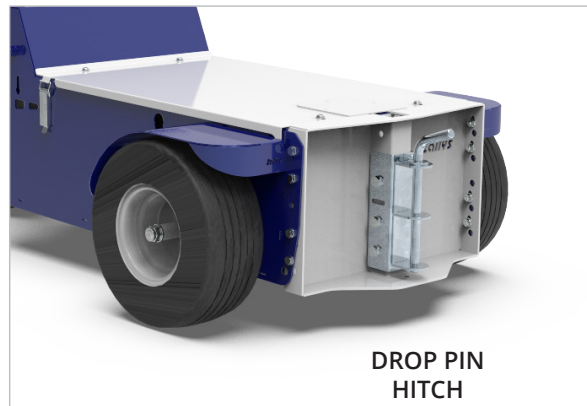
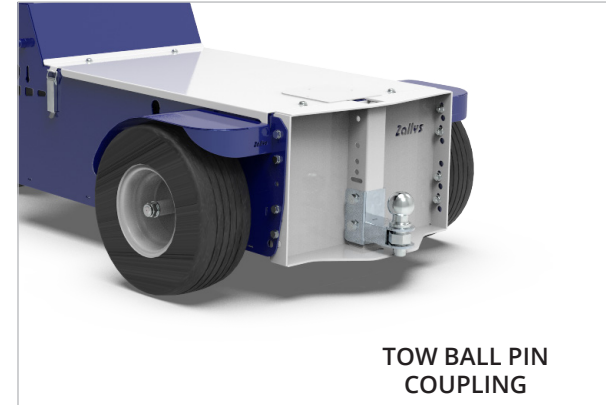
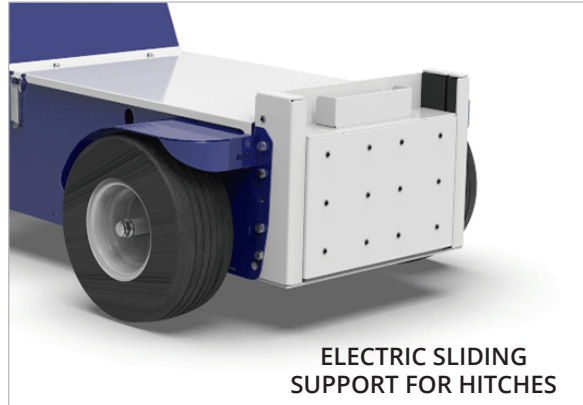
M6.5 is powered by two 105/130 Ah batteries, which guarantee the machine for **8 hours operation at continuous use**. In case of a particularly intense use, it is possible to equip **higher amperage batteries**, or equip an **interchangeable and extractable battery pack**, for a **24 / 7 operation**. In both cases they are easy and safe to recharge, thanks to the high frequency external battery pack.



Modular ballast system

Zallys **modular system** guarantees **maximum flexibility** on increasing the vehicle's performances. With just **10 kg unit weight**, single ballasts are lightweight and can be equipped **without physical effort by the operator**, while maintaining all their effectiveness.

STANDARD HITCH

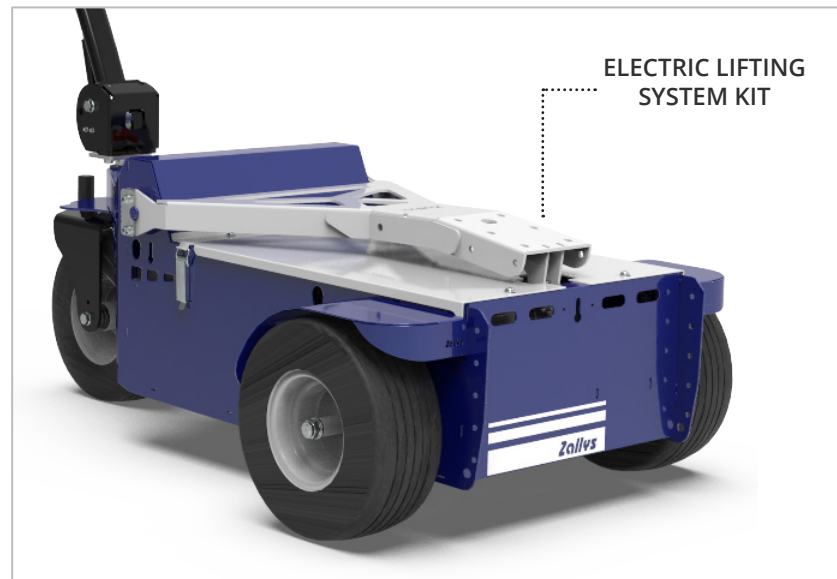
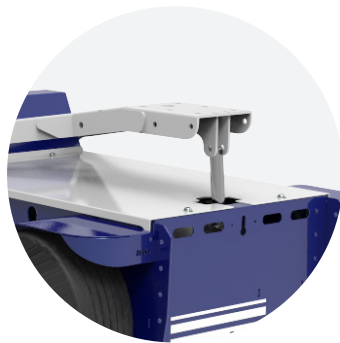


STANDARD HITCH

Electric lifting system (optional)



On request, it is possible to equip **M6.5** with an **electric lifting system kit**, which allows the operator to easily and safely lift 2 wheeled trailers, directly from the controls on the tillerhead.



ACCESSORIES





Examples of applications

on various production sectors



METALLURGICAL INDUSTRY

Zallys
... the passion for moving





INDUSTRIAL MAINTENANCE

Zallys
... the passion for moving





PAINTING INDUSTRY

Zollis
... the passion for moving



SHIPBUILDING INDUSTRY

Zolllys
the passion for moving





• • • the passion for moving

Zallys srl srl - Via Palazzina 1, Sarcedo
36030 (VI) - Italia

Contacts:

sales@zallys.com
+39 0445 366785

Web site:

www.zallys.com

