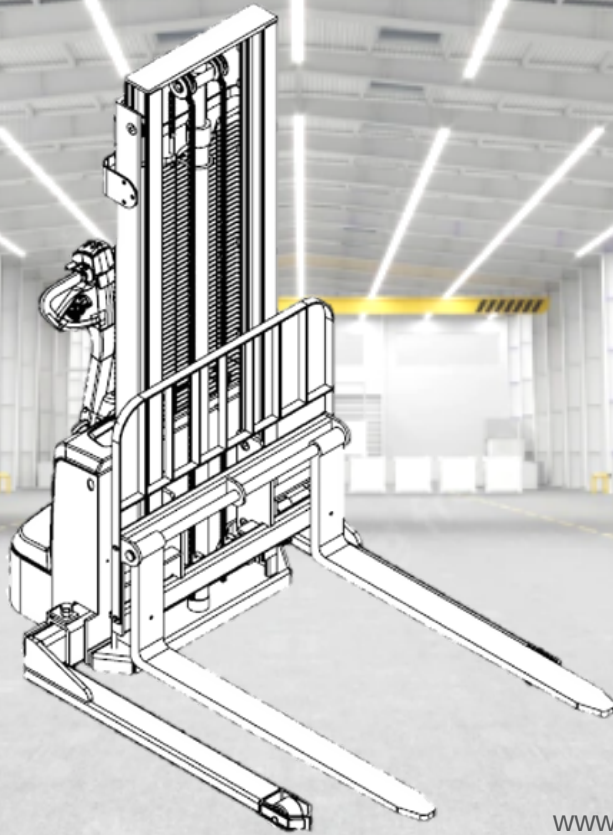


JIALIFT®



www.jialift.com.au

CL1335GHY-W

Full Electric Walkie Stacker

- 1300kg Capacity; Max Lifting Height - 3500mm
- Walk-behind operate no license required
- Safe, reliable, sustainable and low maintenance

CE

Full Electric Walkie Stacker - straddle leg (1.3T/3500mm)

JIALIFT electric stacker CL10GHY-W series offers an attractive appearance, convenient operation, and features. It offers a number of **advantages**:

- Walk behind operate no licence required
- Straddle leg design ideal for lifting enclosed pallet
- Can be used for both open pallet and for Australia standard closed pallet (CHEP)
- Control panel: Red Stop Bottom, Key Switch and Battery Indicator on the Right . In-built charger in the middle
- The in-built charger is single phrase (wall plug) can be easily charged
- The side-driven design effectively reduces the size of the operation channel.
- With a small turning radius, this stacker is suitable for narrow spaces.
- Intelligent control and drive technology, flexible and safe operating
- Adjustable fork width Easy service and maintenance
- The steering wheel seat in the middle.
- Adjustable driving speed switch.
- The turtle speed switch on the handle makes low-speed control more precise.
- Germany imported waterproof micro-switches are applied in the cold, damp, dusty and other harsh environments.
- YONGCI motor drive system is with small size, light weight, low loss and high efficiency.

Standard Equipment:

Also Included in our Offer: Battery and Charger

Warranty: 5 Years refer to the JIALIFT warranty terms and conditions



JIALIFT AUSTRALIA PTY LTD

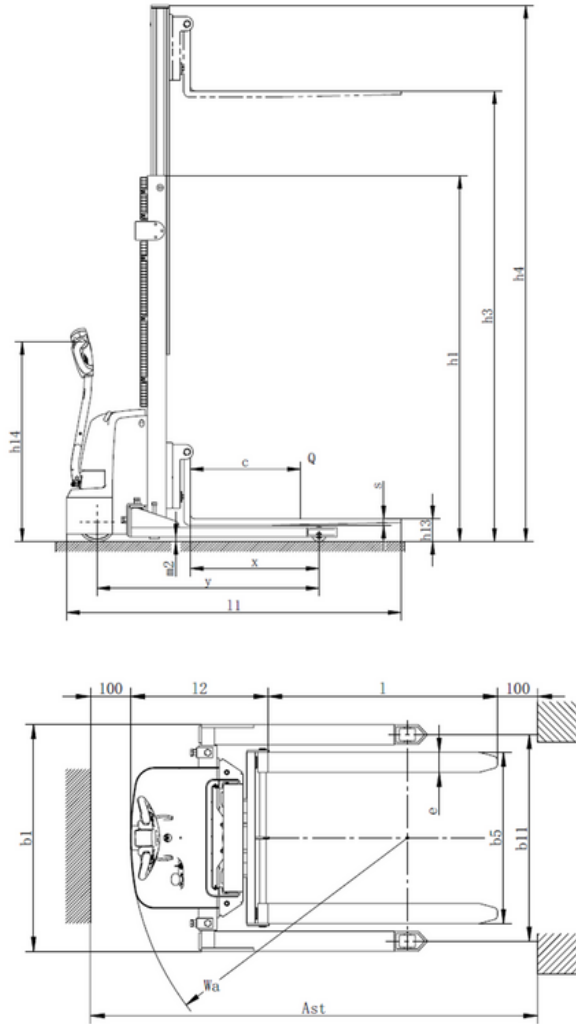
Call Us: 1300 000 168 Email: sales@jialift.com.au

46-48 Geddes St, Mulgrave VIC 3170 Open at 8:30 am - 5:30 pm, Monday-Friday

www.jialift.com.au

JIALIFT®

MATERIAL HANDLING EQUIPMENT



JIALIFT AUSTRALIA PTY LTD

Call Us: 1300 000 168 Email: sales@jialift.com.au

46-48 Geddes St, Mulgrave VIC 3170 Open at 8:30 am - 5:30 pm, Monday-Friday



www.jialift.com.au

Distinguishing mark		
Model designation		CL1335GHY-W
Load capacity	kg	1300
Load capacity on max. Height	kg	600
Max lifting height	mm	2500
Load centre distance	mm	600
Weight		
Service weight	kg	639
Dimensions		
Fork length	mm	1150
Single fork width	mm	100
Overall fork width	mm	210-850
Lowered fork height	mm	65
Adjustable leg length	mm	1057
Single leg width (including front wheel frame)	mm	100
Inside width of two fixed legs	mm	924-1324
Outside width of two adjustable legs	mm	1124-1524
Turning radius	mm	1380
Aisle width for pallets 1200 × 1200 crossways	mm	2365
Overall length	mm	1825
Overall width	mm	1124-1524
Extended mast height	mm	3952
Lowered mast height	mm	2245
Types, Chassis		
Front wheel size, number	mm	Φ80 × 60
Rear wheel size, number	mm	Φ210 × 70
Performance data		
Driving speed, laden/ unladen	km/ h	4.2
Lifting speed, laden/ unladen	mm/ s	136
Lowering speed, laden/ unladen	mm/ s	98
Electric-engine		
Drive motor rating	kW	0.75
Lift motor rating	kW	2.2
The controller		1212P
The charger		10A
Battery voltage/nominal capacity		2 x 12V/100Ah
Battery dimension	mm	2 x (260 x 168 x 215)
Battery Weight	kg	2 × 27



JIALIFT AUSTRALIA PTY LTD

Call Us: 1300 000 168 Email: sales@jialift.com.au

46-48 Geddes St, Mulgrave VIC 3170 Open at 8:30 am - 5:30 pm, Monday-Friday

www.jialift.com.au