

Toughened glass canopy offers greater visibility while maintaining hygiene

Electronic controller maintains correct temperature

Modular profile allows for single row of 5L tubs or double rows of 2.5L tubs (excluding GD0007S)

High-impact LED lighting for perfect product presentation (excluding GD0007S)

Automatic defrost with hot gas evaporation eliminates downtime (excluding GD0007S)

Castors make movement & placement easy

Additional internal storage for seamless tub interchange during service (excluding GD0007S)

Maintenance free, spiral type condenser for convenience (excluding GD0007S)



Bromic's Gelato Display range presents a number of premium standalone storage and display solutions that are perfect for preserving frozen treats at their ideal serving and storage temperatures.

57. Chest Freezer Display

Bromic's Chest Freezer Gelato Display offers an entry-level unit with the versatility to operate as a chest freezer when not tempting customers with frozen treats.

Featuring a sliding glass lid, curved canopy and distinctive styling, this unit excels in attention-grabbing, front-of-house display.



57. Delight Gelato Display

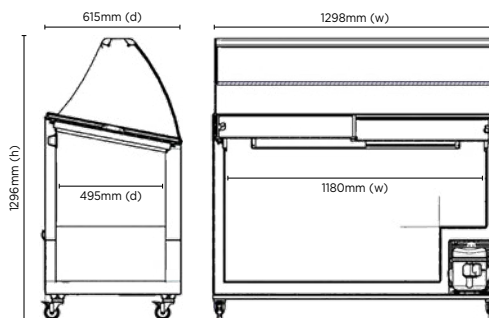
Bromic's Delight Gelato Displays have been developed in conjunction with internationally-acclaimed manufacturer IARP to offer the ultimate standalone gelato display and storage solution.

With the ability to deep freeze gelato in storage before bringing them up to serving temperature on display, the Delight range can be relied upon to perfectly preserve a range of frozen treats while presenting them proudly.



58. Specification Reference Guide

Gelato Displays



GD0007S

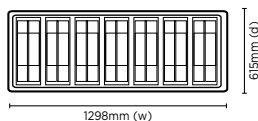


Chest Freezer Gelato Display

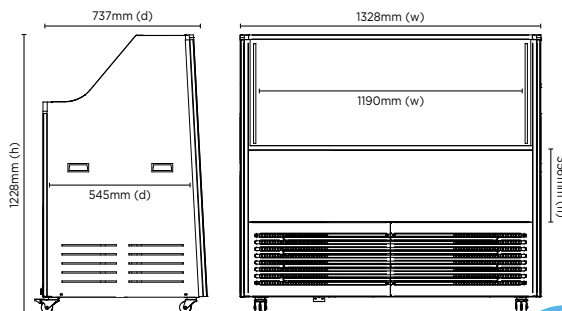
Part No.	Capacity	Weight
3735262	352L	81kg
External (mm)		
Width	1298	1180
Depth	615	495
Height	1296	708

- Tilted display with curved canopy offers great visibility while maintaining hygiene
- Sliding lid minimises energy consumption and keeps contents cool on display
- Included internal frame to accommodate baskets
- Temperature range: -22°C to -12°C
- Includes 7 plastic 5L tubs

Tub Support Framework



AVAILABLE SUMMER '19



DELIGHT7

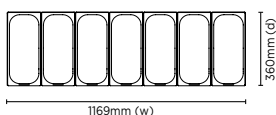


Delight Gelato Display - 7 Tub*

Part No.	Capacity	Weight
3736227	130L+93L	134kg
External (mm)		
Width	1328	1190
Depth	737	545
Height	1228	356

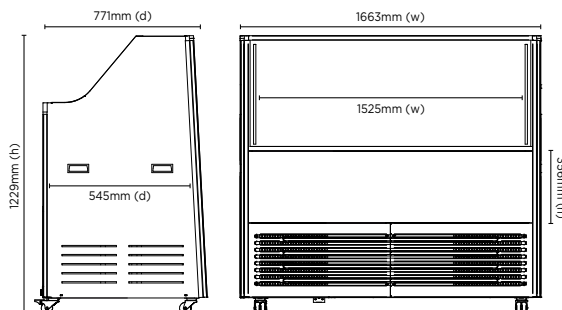
- Lower front glass for better ice-cream visibility with LED lighting for improved merchandising appeal
- Modular profiles allow for single row of 5L tubs or double rows of 2.5L tubs
- Spiral type, maintenance free condenser
- Temperature range: -15°C to -18°C

Tub Support Framework



*5L gelato tubs not supplied

AVAILABLE SUMMER '19



DELIGHT13

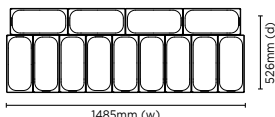


Delight Gelato Display - 13 Tub*

Part No.	Capacity	Weight
3736228	195L+148L	184kg
External (mm)		
Width	1663	1525
Depth	771	545
Height	1229	356

- Lower front glass for better ice-cream visibility with LED lighting for improved merchandising appeal
- Modular profiles allow for single row of 5L tubs or double rows of 2.5L tubs
- Spiral type, maintenance free condenser
- Temperature range: -15°C to -18°C

Tub Support Framework



*5L gelato tubs not supplied

Gelato Displays

Specification Reference Guide

Model	GD0007S	DELIGHT7	DELIGHT13
Part Number	3735262	3736227	3736228
Ext. Width (mm)*	1298	1328	1663
Ext. Depth (mm)*	615	737	771
Ext. Height (mm)*	1296	1228	1229
Capacity	352L	130L + (93L storage)	195L + (148L storage)
Temp. Range	-22 to -12°C	-15°C to -18°C	-15°C to -18°C
Max. Ambient Temp.	35°C	35°C	35°C
Refrigeration Power	300W	N/A	N/A
Current	2.3A	3.6A	3.6A
Gross Weight	81kg	134kg	184kg
Refrigerant	R404a	R290	R290
Plug Supplied	1	1	1
Power Supply	10A	10A	10A
Features			
Main Light	Fluorescent	LED	LED
Number of Lids	2	1	1
Lid Type	Sliding	Plexy	Plexy
Safety Glass Lid	✓	✓	✓
Canopy	✓	✓	✓
Door Lock	✓		
No. of Baskets Incl.	3 (wire frame support tubs)		
No. of Tubs	7 Included (Plastic Tubs)	7 (Tubs not supplied)	13 (Tubs not supplied)
Automatic Defrosting System		✓	✓
No. of Tubs in Storage	7	12	14
Castors	✓	✓	✓
Colour	White	White with blue trim	White with blue trim
Warranty			
Parts (Years)	1	1	1
Labour (Years)	1	1	1

*Dimensions exclude handle protrusions