

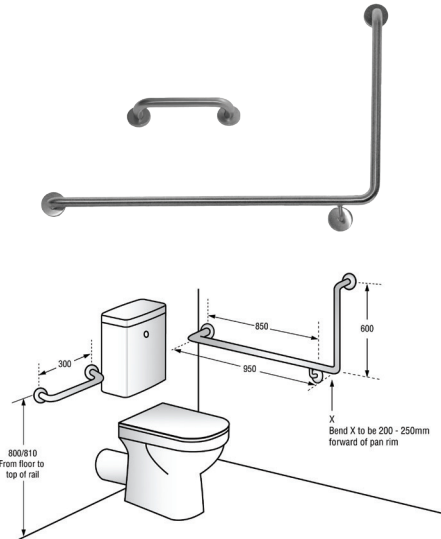
BTR-01-010 & BTR-01-012

S.S. 30° Flush Mount Side Wall & Cistern Grab Rail Set



FEATURES Includes 300mm Rail

BTR-01-010 (Shown) Left Hand, Satin Stainless Steel
BTR-01-012 Right Hand, Satin Stainless Steel



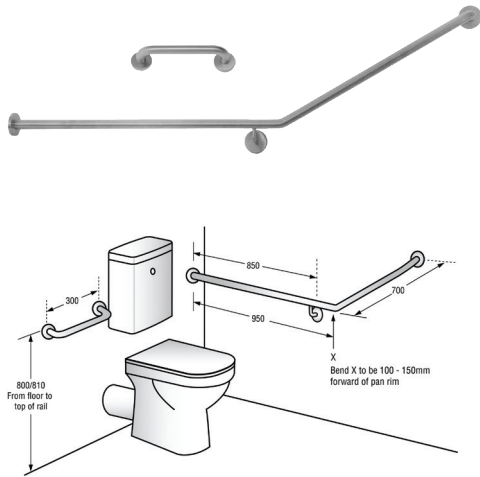
BTR-01-014 & BTR-01-016

S.S. 90° Flush Mount Side Wall & Cistern Grab Rail Set



FEATURES Includes 300mm Rail

BTR-01-014 (Shown) Left Hand, Satin Stainless Steel
BTR-01-016 Right Hand, Satin Stainless Steel



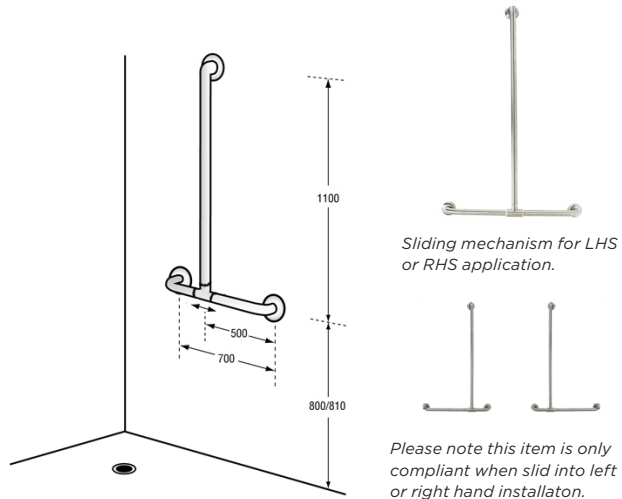
BTR-01-018 & BTR-01-020

S.S. 30° Flush Mount Rear Wall & Cistern Grab Rail Set



FEATURES Includes 300mm Rail

BTR-01-018 (Shown) Left Hand, Satin Stainless Steel
BTR-01-020 Right Hand, Satin Stainless Steel



BTR-01-063

S.S. T Universal Sliding Shower Grab Rail



Material #304 Stainless Steel - 32mmØ
Mounting Concealed Fix - 78mmØ Mount
Finish Satin Stainless Steel
Note Universal Mounting for Left or Right Handed Installation

AS1428.1. compliant as a left or right hand installation only.
 (Images represent the different mounting options)

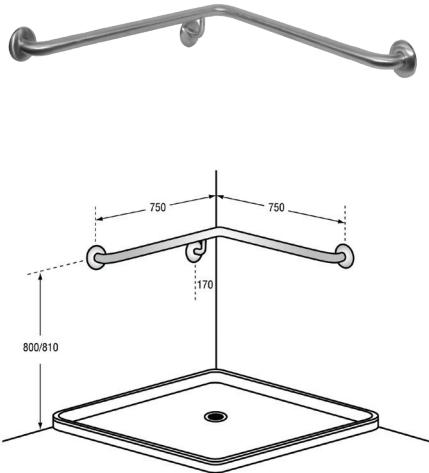
VISIT BRITEX.COM.AU TO DOWNLOAD BIM FILES, CAD DRAWINGS AND THE MOST CURRENT PRODUCT LITERATURE.

Last Revised Jan 2023



Due to ongoing research and our commitment to product development, details are subject to change without notice. Details accurate at time of print. Please refer to britex.com.au for the most current product information. Allow +/- 5mm tolerance for dimensions and setouts shown in product literature.



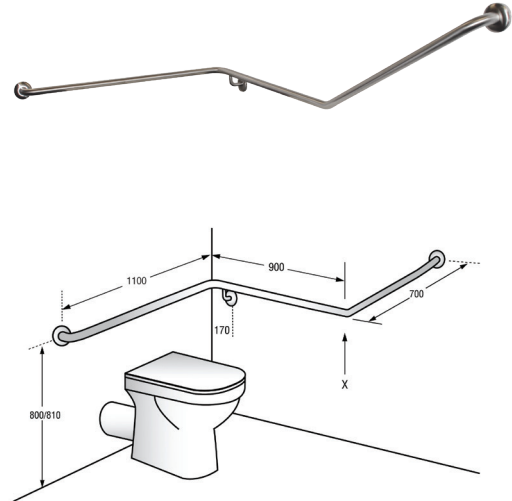


BTR-01-026 & BTR-01-028 S.S. Corner Wall Flush Mount Shower Grab Rail



SIZE 750mm x 750mm

BTR-01-026 (Shown) Left Hand, Satin Stainless Steel
BTR-01-028 Right Hand, Satin Stainless Steel



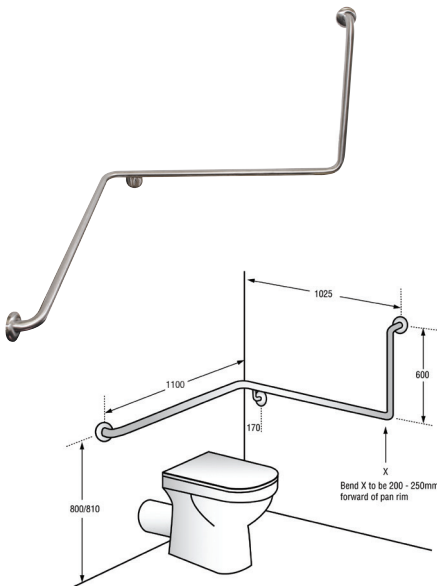
BTR-01-030 & BTR-01-032



S.S. 30° Flush Mount Wrap Around
Grab Rail

SIZE 1100mm x 900mm x 700mm

BTR-01-030 (Shown) Left Hand, Satin Stainless Steel
BTR-01-032 Right Hand, Satin Stainless Steel

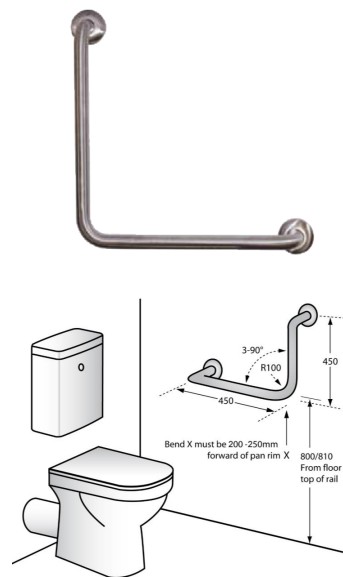


BTR-01-034 & BTR-01-036 S.S. 90° Flush Mount Wrap Around Grab Rail



OVERALL LENGTH 2125mm (Centre to Centre at ends) /
Rail stand-off 60mm Concealed Mount Fixing

BTR-01-034 (Shown) Left Hand, Satin Stainless Steel
BTR-01-036 Right Hand, Satin Stainless Steel



BTR-01-058 S.S. 90° Ambulant Grab Rail



SIZE 450mm x 450mm

FEATURES suits both left hand and right hand application.
Satin Stainless Steel

VISIT BRITEX.COM.AU TO DOWNLOAD BIM FILES, CAD DRAWINGS AND THE MOST CURRENT PRODUCT LITERATURE.

Last Revised Jan 2023



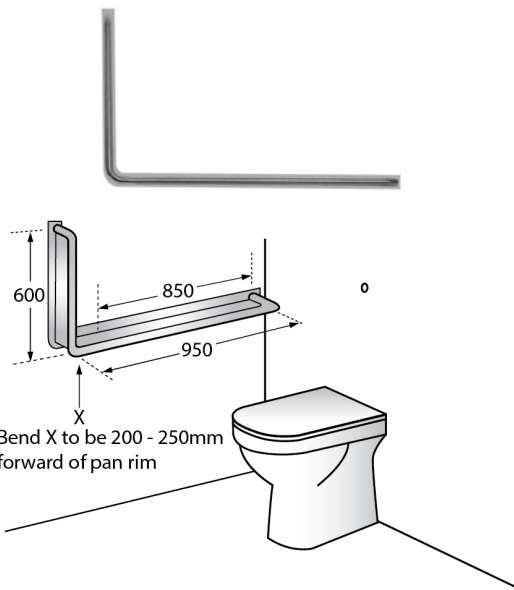
MELBOURNE
Britex Place, Mirra Crt
Bundoora VIC 3083
t (03) 9466 9000
e vic@britex.com.au

SYDNEY
16 Northumberland Drv
Taren Point NSW 2229
t (02) 9531 2100
e nsw@britex.com.au

PERTH
Unit 1/8 Principal Link
Malaga WA 6090
t (08) 9249 5464
e wa@britex.com.au

BRISBANE
19 Manila St
East Brisbane QLD 4169
t (07) 3363 2400
e qld@britex.com.au

ADELAIDE
The Britex Group
SA State Office
t 1300 764 744
e sa@britex.com.au

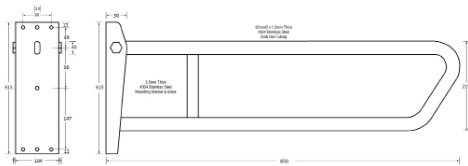


BTR-AL90-R & BTR-AL90-L

S.S. 90° Anti-Ligature Grab Rail

SIZE 950mm x 600mm

BTR-AL90-R (Shown) Right Hand, Satin Stainless Steel
BTR-AL90-L Left Hand, Satin Stainless Steel



BTR-01-052

S.S. Disabled Pull Down 32mm Grab Rail



OVERALL LENGTH L850mm x H315mm
 MOUNT BRACKET H 315mm x W 104mm x D 30-50mm x T 2.5mm
 MOUNTING HOLES 7 off by 8mmØ



S.S. GRAB RAILS STRAIGHT CONCEALED

DIAMETER 32 (All Codes)

product code	length
BTR-01-038	300 mm
BTR-01-039	350 mm
BTR-01-040	400 mm
BTR-01-041	450 mm
BTR-01-042	600 mm
BTR-01-043	750 mm
BTR-01-044	900 mm
BTR-01-045	1000 mm
BTR-01-046	1200 mm
BTR-01-047	1500 mm
BTR-01-048	1800 mm
BTR-01-060	2100 mm
BTR-01-061	2400 mm

VISIT BRITEX.COM.AU TO DOWNLOAD BIM FILES, CAD DRAWINGS AND THE MOST CURRENT PRODUCT LITERATURE.

Last Revised Jan 2023