

WWW.MIDMED.COM.AU



STEPHEN H
COMFORT 9.0



SEATING

Frequent Usage

- Chemotherapy
- Infusions Therapy
- Day Hospital
- Blood Donor
- Blood Samples
- Emergency
- Dialysis
- Patient Transport
- Dermatology / Cosmetics
- Multifunctional



A chair that allows **ACCOMODATION FROM THE FRONT** in a safe way and without obstacles

HEADREST

Adjustable in height and suitable for patient of different sizes

BACKREST

Ergonomic as its padding has different densities to ensure high comfort

ARMREST

With **multiple adjustment** features and seamless

BRAKE WITH PEDALS

With **directional** system

WHEELS

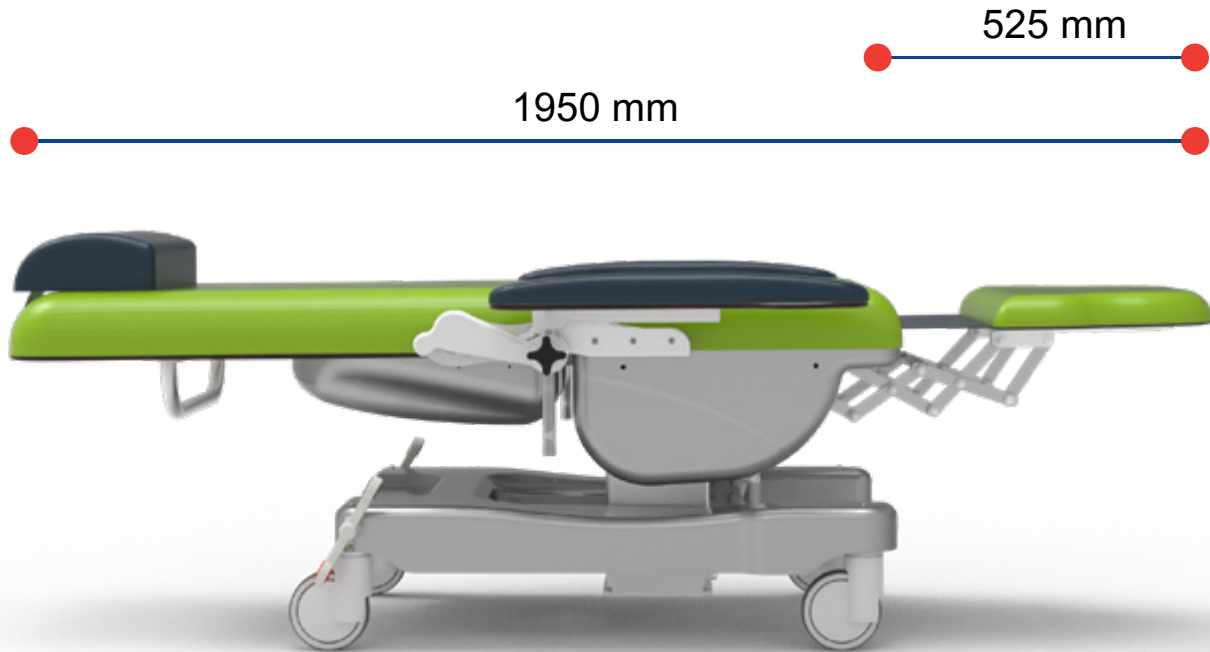
High stability even during patients **transfer** or with patient onboard.

LEGREST

It folds **entirely underneath** the seat. It allows the patient to sit from the front with no obstacles. Legrest with **higher extensions** (525mm)

Longer Legrest Extension

The legrest has been designed with a greater extension, reaching a maximum extension of 525 mm, this innovation, combined with the optimized accommodation, guarantees additional comfort for the patient; specifically to those of tall stature and with reduced mobility.



Improved Seating

Thanks to an advanced geometric solution, the “leg” section disappears under the seat when placed vertically (90°). This feature allows the patient to sit on the chair while the lower limbs will stay perfectly perpendicular to the seat itself resulting in many benefits for the posture. Therefore, all patients, even those with mobility difficulties, will be able to easily sit down and get up from the chair, even frontally, assuming a correct posture at all times.



The illustration, will help to understand the retracting system of the leg section.

Given the absence of protrusions on the seat, the device allows the patient to be able to sit down in a safe way.

Benefits

- Anti-tilt frame, it prevents any tilt in every operative conditions
- Electric low voltage motors
- The chair is expressly designed to help the patient to easily seat on the chair. Thanks to the option to place the legrest at 90 degrees, the access will be easy also for patient with reduced mobility.
- The leg section has a longer than usual extension reaching 525mm. This feature is intended to improve the comfort for taller patients.
- The chair can be equipped with a wide range of accessories
- The upholstery can be completely sanitised, in order to prevent cross infections, with most common detergents
- Lying surface in seamless soft foam cushions. The cushions are designed to prevent decubitus wounds.
- Upholstery's features: antibacterial, flame-retardant class 1IM, antimycotic, ecologic, latex free, phthalate free and resistant
- Directional braking system ensure high stability to the device
- Max load capacity 200kg



Standard Features

- Painted steel frame in thermosetting and antibacterial powders. Wide range of colours.
- Lying surface divided in 3 sections: backrest, seat and leg
- Motorised Trendelenburg position from 0 to 15 degrees - Equipment code AC35/1
- Height adjustment - Equipment code AC28/200-400
- Two motors allow to move the back section and the leg section independently and simultaneously - Equipment code AC12
- Leg section: 90 degrees to the seat - Equipment code AC63
- The armrests can be removed, tilted, adjusted in height, overturned - Equipment code AC30/C1
- Additional headrest adjustable in height with special safety lock to prevent removal - Equipment code AC27
- Leatherette upholstery, elastic, extremely comfortable and completely seamless. The latter feature prevents bacteria proliferation. It can be easily sanitised with the most common detergents. The upholstery is also flame-retardant and complies with UNI 91775/87 e 9175FA- 1/94 class 1IM (wide range of colours) - Equipment code AC87/1
- 4 wheels 100mm antistatic, sturdy, stainless and swivable
- Directional braking system - Equipment code AC7P1G
- Chairs movements are controlled by handset with a 3.5 m coiled cable. The handset is user friendly and has visual pictograms useful for partially sighted people. Handset is equipped by 10 buttons with 2 memories. For patients safety purpose the handset is provided with an inhibition key - Equipment code AC34P
- Insulation IP66
- Transport handle in stainless steel for H Comfort - Equipment code AC56/C
- Handset supports - Equipment code AC25P
- Soft foam cushions
- ABS cover for the base section - Equipment code AC83/C
- ABS cover for the seat - Equipment code AC86/C
- ABS cover for the back section - Equipment code AC86/C

Armrests Movements



■ FIG. 1/2 - SYNCHRONISED WITH THE BACKREST



■ FIG.3 - SWIVABLE



■ FIG. 4 - HEIGHT ADJUSTMENT



■ FIG.5 - REMOVABLE



■ FIG.6 - OVERTURNING FOR EASY ACCESS



■ FIG. 7 - TILTABLE

Movements

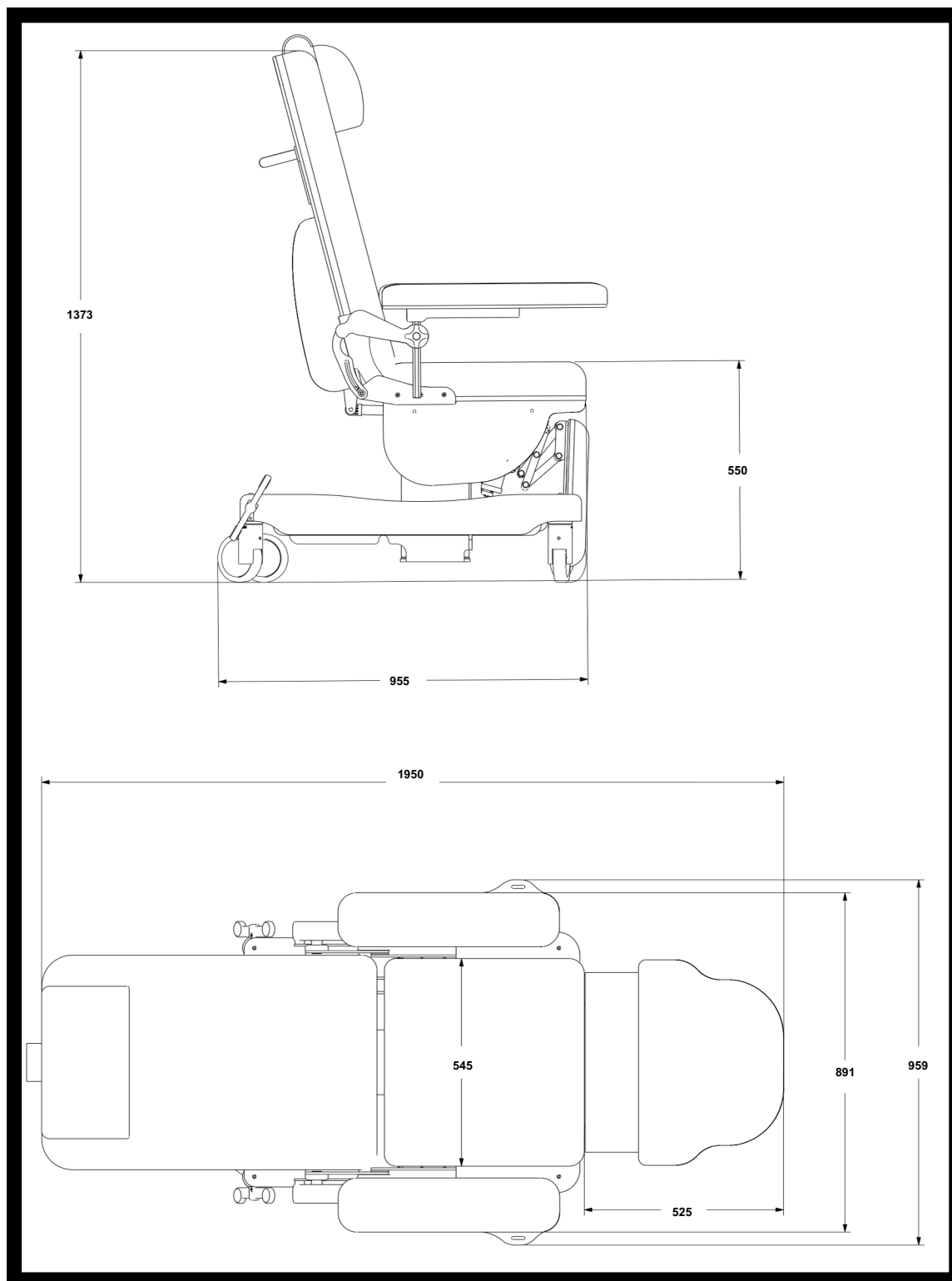


TRENDELENBURG



CLINOSTATIC

Dimensions



Technical Sheet

GMDN Code	38447
UDI-DI di Base	805771740POLPE
ID Code	GB0416.SP
Intended Use	Multifunctional Chair
Manufacturer	GARDHEN BILANCE SRL
Overall Weight	70 kg
Types of Control	Push-Button Panel
Wheels	No, 4 swivelling and stainless 100 mm with braking system
Power	Multivoltage 100-240 Vac 50/60 Hz
Electric Motors	Low Voltage (24 V)
Assorbimento Max	4A
Insulation	IP44
Max Load	200 kg
Safety Working Load	235 kg
Conformity	Regulation UE 2017/745

Main Cord



**Type I
Australia**