

SAPPHIRE (AMC 2130)



Suitable for Gynaecology and Obstetrics, with a variety of customisable options that allow you to get the functionality you need.

Electric adjustments of height and back rest.

Designed to reduce OH&S risks and minimise manual handling.



*Pictured paper roll holder and collection tray not included as standard. Available as optional customisations.



5 Year warranty
on electrical components



Lifetime warranty
on frame and workmanship



Australian Made

Features

Movements powered by high quality electric actuators, reducing OH&S risks.

Supplied with foot control switch for hands free operation.

Supplied with either padded foot rests or under knee stirrups.

Low minimum height gives patients the ability to easily get on and off the couch, including wheelchair transfer.

Carefully considered base design allows easy side access for patients and practitioners.

Access under couch for patient lifting devices.

125mm lockable wheels allow effortless movement of the couch.

Basic specifications

Width: 610mm

Length: 1350mm

Back rest tilt: 75°

Height adjustment: 450mm -1000mm

Lifting capacity: 200kg

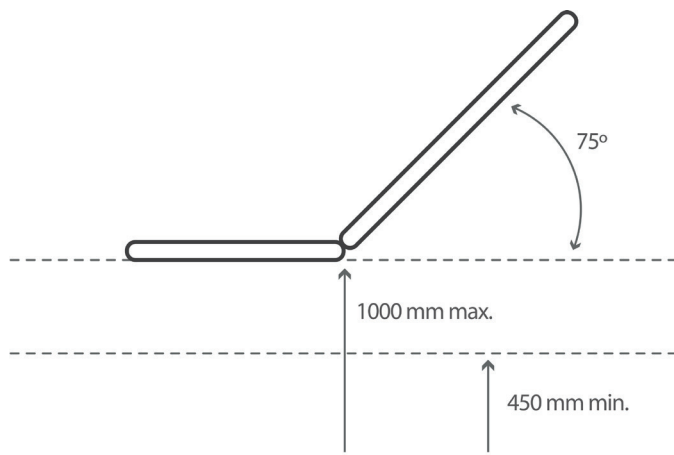
Wheels: 125mm lockable castors

Optional customisations

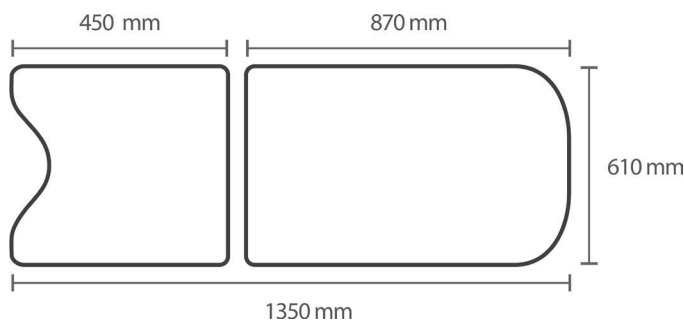
Removable foot section to convert couch to a longer, general purpose examination table
Backward couch tilt (Trendelenburg)
Stainless steel collection tray with sliding arms and brackets, removable for cleaning
Extra width - 660mm
Battery pack
Hand switch control
Head cushion
Paper roll holder
Wide variety of fabric colours available
Padded swivel arm rest set, suitable for Phlebotomy
Standard arm rest set
White LED light, attached to the couch or to a moveable stand
Central wheel locking

SAPPHIRE (AMC 2130)

Top view



Side view



Optional customisations



Under knee stirrups



Removable end section



White LED light



Paper roll holder

Detailed specifications

Head section length: 870mm

Middle section length: 450mm

Foot section length: N/A

Vinyl specifications:

UV resistant

Flame resistant

Easy to clean

Sanitised to inhibit growth of bacteria

Complies with AS 1530.3 standards

Variety of colours available

Foam specifications: 50mm foam

Frame material and colour:

Powder coated white frame

Australian steel

Wheel system:

Individual 125mm brake castors made by Tente

Drive actuators:

Hi/lo: Dewert electric actuator system

Back rest: Dewert electric actuator system

Electrical specifications: 240V 50H 26VDC 105W

Electrical standards: IPX4 rating

Lift capacity: 200kg

Shipping weight: 70 - 85 kg

Shipping dimensions:

2130mm x 820mm x 700mm

Freight charges:

Not included in sale price.

Contact our sales representatives for a quote.

ARTG number: 208309

Suitable for use in:	<ul style="list-style-type: none"> ● GENERAL EXAMINATION ● ULTRASOUND ● TREATMENT ROOMS ● GYNAECOLOGY & OBSTETRICS ● VASCULAR ● CARDIOLOGY ● DERMATOLOGY ● ENT ● PODIATRY ● COSMETIC SURGERY 	<ul style="list-style-type: none"> ● RENAL DIALYSIS ● CHEMO / DAY ONCOLOGY ● BLOOD COLLECTION ● DAY RECOVERY ● ICU ● DAY SURGERY ● SPECIALIST APPLICATIONS