

SR 55

SR 65

SR 85

NOT JUST ANY PICKER....  
A SEPRO PICKER

## NEED SIMPLE AUTOMATION ?

We have a solution for you !

### Simplicity

A simple, open and safe electronic control

- Standard pre-programmed sequences can be modified during operation
- Pre-selectable cycle counter
- 4 inputs and 4 outputs for control of ancillaries (e.g. indexing conveyor signal)

### Freely programmable

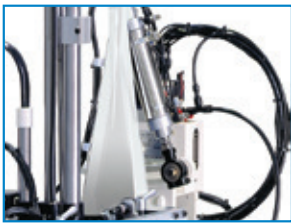
- Custom programs may be programmed via the electronic pendant
- Up to 20 different programs can be stored

### Safe operation

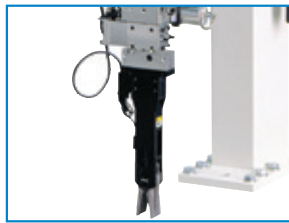
- Press/robot interface: Euromap 67 and SPI
- Meets the requirements of the CE Machine Directive



**YOUR FREE CHOICE IN ROBOTS**



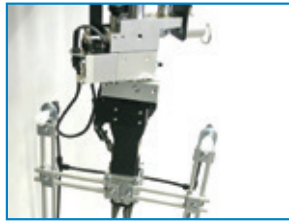
Easy adjustment of strokes, take out direction and swing angle.



Sprue Gripper with runnerverification as standard.



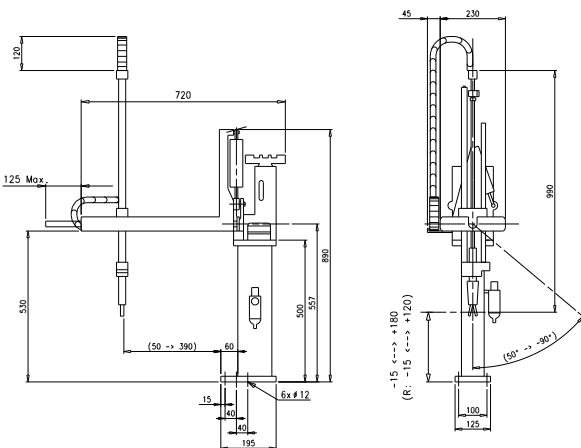
Safety lock on vertical arm to prevent arm movement during loss of air pressure.



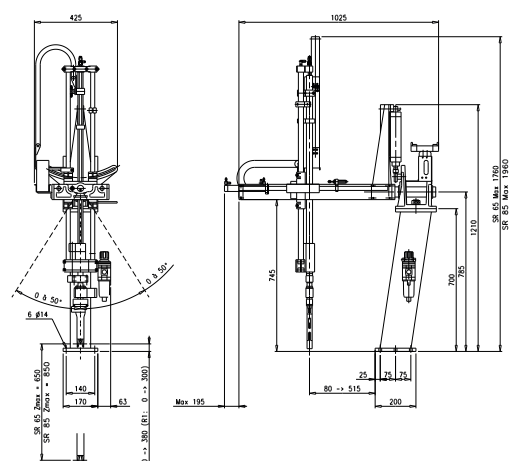
**OPTION :**  
Wrist rotation 90° (rotation axis parallel to main arm axis).  
Grip parts by vacuum.

	SR-55	SR-65	SR-85
Mold clamping force - Indication (Metric Tons)	20 - 150	100 - 250	200 - 400
Mold clamping force - Indication (US tons)	22 - 165	110 - 276	220 - 441
Vertical stroke (mm)	0 - 550	0 - 650	0 - 850
Strip stroke (mm)	0 - 75	0 - 125	0 - 125
Swing angle - Quick simple adjustment - Operator or non operator	50° - 90°	45° - 90°	45° - 90°
Maximum load (kg)	1	2	2
Minimum take-out time (s)	0,7	1,3	1,7
Minimum cycle time (s)	3	4	4,5
Air pressure (bar)	4 - 6	4 - 6	4 - 6
Average air consumption per cycle (normo litre)	40	40	40
Voltage (Volts mono / Hz)	230 / 50-60	230 / 50-60	230 / 50-60
Voltage (Volts mono / Hz - USA)	115 / 50-60	115 / 50-60	115 / 50-60
<b>OPTIONS</b>			
Wrist rotation 90° - rotation axis parallel to main arm axis	✓	✓	✓
Maximum load - with wrist rotation (kg)	0,5	1	1

## SR55



## SR65-85



**EUROMAP**  
European Committee of Machinery Manufacturers  
for the Plastics and Rubber Industries  
MEMBER

**spi** the plastics industry  
trade association  
MEMBER

## WHY CHOOSE SEPRO ?

- Sepro manufacturer n°1 in Europe - Major performer in North and South America
- Main supplier in the Automotive Industry in Europe and the USA - Global leader for IMMs over 800T
- A full line of robots from 3 to 6 axis with one unique and user-friendly control
- Over 30,000 installations worldwide

**YOUR FREE CHOICE IN ROBOTS**

[www.sepro-group.com](http://www.sepro-group.com)