

TECHNICAL SHEET

SCREW ROUNDER "SFERA"



Model:

SFERA



General technical characteristics:

- solid and sturdy structure
- practically maintenance-free
- interchangeable aluminium endless screws
- stainless steel output tray
- food contact suitable plastic cylinder
- easy to clean
- CE rules

Warranty:

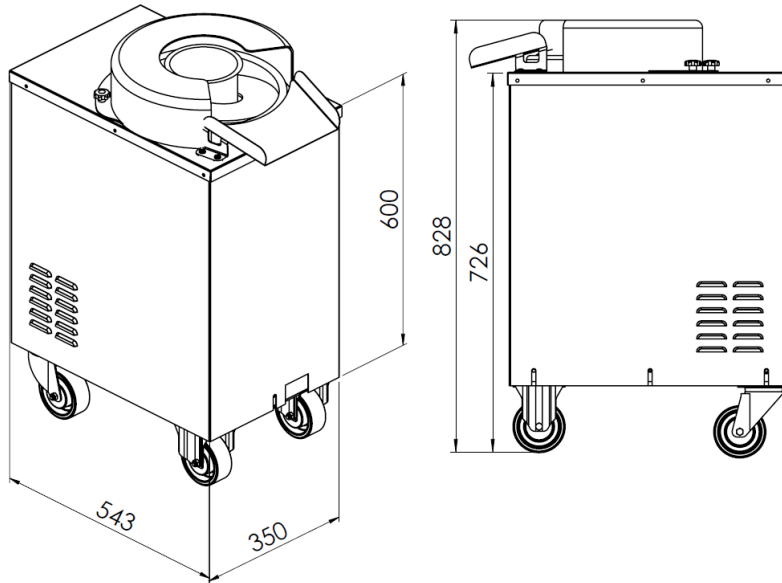
- One year ⊗

⊗ warranty conditions

Sigma machines are covered by warranty against material or manufacturing defects for 12 months since the invoice date and subject to the conditions here under mentioned.

The warranty consists only in the ex works replacement of the faulty parts, except the electrical parts and motors. The purchaser will be reimbursed neither for the damage coming from the production stop nor for the labor coming from the installation of the new parts. Warranty is not valid in the following cases: the purchaser does not respect the payment terms; the damages are caused by overcharge, unskillfulness, abnormal use, poor maintenance, not authorized modifications, when irregular or lack of electric majeure. Manufacturing defects should be communicated to Sigma company to the e-mail address: sigmasrl.info@legalmail.it as soon as they appear.

Dimensions



Voltage: 230/240/ 50/60Hz
(*Optional:* special voltages)

Power: 0,37 Kw

Phase: Single phase

Models of cochle:

"A" for pizzeria dough

"B TEFLON" coating for high hydrated doughs

Production rate: 50 - 650 gr

Max production for hour: 1.500 pz/h

Shipping information

Model	Net weight	Gross weight	
		Pallet	Crate
SFERA	kg 70	kg 85	kg 95

Information on the packaging

MODEL	Box on pallet		Cage/Crate	
	Dimensions [mm]	Volume [m ³]	Dimensions [mm]	Volume [m ³]
SFERA	700x750x1100	0.58	980x830x1180	0.96