



Instruction Manual

RETRACTABLE HOSE REEL

RC RANGE



Occsafety Pty. Ltd.

ABN 20510702960

Factory 30/7 Dunstons Court,
Thomastown, Vic. 3074.

Australia

Tel. 03 9460 4455 Fax. 03 9460 4499 Email: sales@akreels.com.au Web: www.akreels.com.au



Safety Instructions

Warnings!



You need to read carefully and take note of the following warnings before attempting to operate this Retractable Hose Reel. Failure to comply with these warnings may result in serious injury.

Warning! The RC Retractable Hose Reel is to be used solely for the purposes as stated. Under no circumstances may the reel be used for any other purposes.



Warning! There are possible hazards with using the reel! Possible hazards are shown by attached labels.

Warning! Under tension, this equipment contains a spring under tension.

Warning! Moving parts, keep away from moving parts and pinch points.

Warning! Do not allow the hose or Barrier Tape to retract UNCONTROLLED.

Warning! Do not remove fasteners or service without contacting an approved service center or Occsafety Pty. Ltd.

Warning! Do not remove the outer covers or service ports. Use Occsafety pty. Ltd. approved service agents only.



Specifications

The RC units are a self-retracting hose reel. The specifications are outlined as follows.

HOUSING

Heavy duty PVC housing with molded carry handle.

SPRING

Heavy duty rolled edge spring. Steel.

FITTINGS

Brass, Aluminum or PVC internal hose swivel with 10mm BSP Female inlet connection and brass 10mm BSP Male outlet connection. Barrier tape reels are fitted with Stainless Steel safety catches as standard.

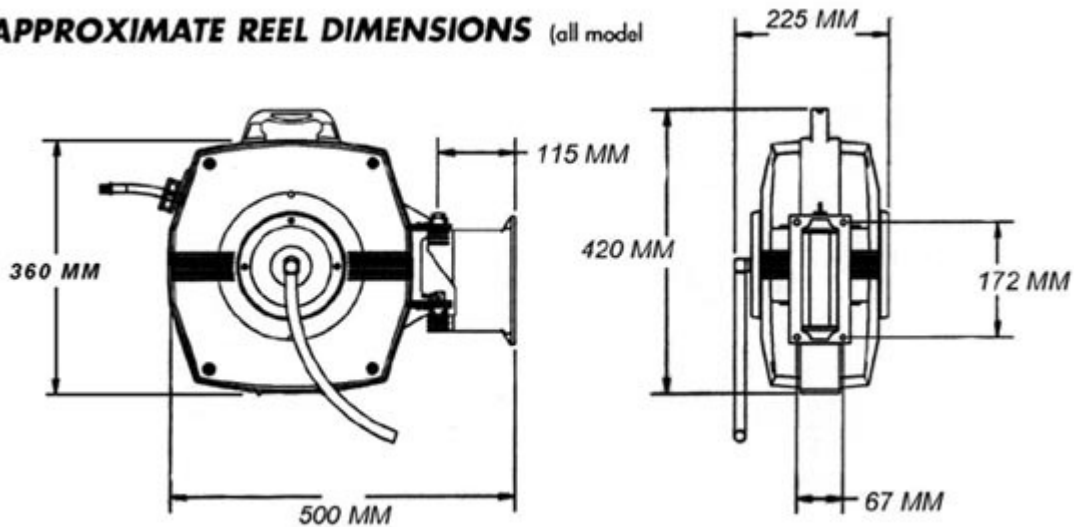
MOUNTING

Supplied with polypropylene swivel mounting bracket with metal locking pin. Additional bracketing options available. The reel can be mounted horizontally or vertically as required.

HOSE

Up to 20m of 10mm hose, rated at a maximum working pressure of 240 psi and working temperature of -5°C to +60°C.

APPROXIMATE REEL DIMENSIONS (all model)



Length 580mm, Width 250mm, Height 500mm, Mass 10kg

Warning! Under tension, this area contains a tensioned spring.

Warning! The RC1300 Retractable Hose Reel is to be used solely for the purposes of applying chemicals to plants or pesticides. Under no circumstances may the reel be used for any other purposes.

Warning! There are possible hazards with using this product! Procedures are shown by attached labels.



Installation

MOUNTING

Your hose reel has been supplied complete with the polypropylene wall-mounting bracket. Please use the appropriate fastener and washers for the material that you are mounting the hose reel onto. The bracket should be fixed in place at a convenient height for the operator. Traditionally this is having the reel opening set at about waist high. If the reel is to be mounted above 1.5M, ensure that the mouth of the reel is at the lower position. This will require inverting the reel from normal, so that the hose can be easily drawn out and returned into the case.

Once you have fixed the bracket in place, remove the locking pin and slip the reel over the two pivots on the bracket. Replace the locking pin.

CONNECTING THE WATER/AIR SUPPLY

Using the appropriate fittings, connect the supply line to the hose reel via the connector hose supplied, using thread tape and ensuring the fittings are not over-tightened. Once you have installed the inlet connection, ensure that you have connected the appropriate fitting to the outlet end. Ensure the spray gun or attachment is turned off then slowly turn the inlet valve on and check for leaks.

Use appropriate thread sealant and fittings on all connections. Do not under or over tighten fittings.

Operation

The RC range of self-retracting hose reels is quite simple to operate and we hope that you will enjoy many years of safe and practical use.

- 1. To use the reel, simply take hold of the spray in one hand and draw out some hose. Grab a hold of the hose line with your spare hand near the mouth of the reel and use this to pull out what hose is required. This avoids damaging the hose at the spray connector.**
- 2. You will note a clicking noise; this is the locking system ratchet. When ever you hear this noise while pulling the hose out, the hose can be locked in position by simply allowing the hose to retract a little and it will lock in place. If the hose does not lock in place, pull more hose out until you hear the clicking noise and allow it to retract a little. You might want to practice this a few times so that you become familiar with the operation.**
- 3. Turn on the water/air supply at the source.**
- 4. Use the hose as required.**
- 5. When finished reverse the procedure. Turn off the supply.**
- 6. Expel all water/air in the hose line by opening the spray.**
- 7. Walk back to the reel with the spray end held open in one hand.**
- 8. To rewind the hose, pull the hose out a little more and allow it to rewind, if it locks in position again pull more hose out and allow it to rewind, keeping the end of the hose in your free hand.**

Maintenance

TROUBLE SHOOTING

Problem: Hose reel will not lock in position.

Cause: Broken pawl or latch. Contact AK Reels.

Problem: Leaking Internally.

Cause: possible "o" ring malfunction. Contact AK Reels.

Problem: Hose will not retract at all.

Cause: No tension on the hose Broken spring: Consult AK Reels.



New Product Warranty

WARRANTY POLICY

Occsafety Pty. Ltd. warrants to its authorised dealer, who in turn warrants to the original purchaser (owner) of each new AK REELS product, that it will repair or replace, without charge for labour or parts, any defective or malfunctioning parts in accordance with the warranty limitations and adjustments schedule below.

PRODUCT – ALL RC REELS

PRIVATE DOMESTIC - 24 MONTHS

PRIVATE, COMMERCIAL and AGRICULTURE - 12 MONTHS

GOVERNMENT and MUNICIPAL DEPARTMENTS DEPTS- 6 MONTHS

ALL NON-DOMESTIC APPLICATIONS - 6 MONTHS

MINING and HIRE COMPANIES – 3 MONTHS

The warranty period will begin on the date the product is delivered to the first retail purchaser.

THIS WARRANTY COVERS:

- Claims resulting from defects in workmanship or material under normal use and service.

THIS WARRANTY DOES NOT COVER:

- Damage resulting from misuse, negligence, alteration, accidental damage or failure to perform normal maintenance services;
- Any reel that has been repaired by other than by Occsafety Pty. Ltd. so as, in any way, in the sole and absolute judgment of Occsafety Pty. Ltd. to affect adversely its performance and reliability;
- Loss of time, inconvenience, loss of use of the product or other consequential damages. The repair of defective products qualifying under this warranty will be performed by the Occsafety Pty. Ltd. factory within a reasonable time following the delivery of the product, at the cost of the owner, to Occsafety,s factory. The product will be repaired or replaced, using new parts made by Occsafety Pty. Ltd.

The owner is responsible for the performance of regular maintenance services as specified in the Owners/Operator's Manual applicable to the product.

THIS WARRANTY IS THE ONLY WARRANTY APPLICABLE TO OCCSAFETY PTY. LTD. APPLICABLE TO NEW PRODUCTS AND, TO THE MAXIMUM EXTENT PERMITTED BY LAW, IS EXPRESSLY IN LIEU OF ANY OTHER WARRANTIES EXPRESSED OR IMPLIED, INCLUDING ANY IMPLIED WARRANTY OF MERCHANTABILITY OR FITNESS FOR A PARTICULAR PURPOSE.

OCCSAFETYPTY. LTD. DOES NOT AUTHORISE ANY PERSON TO CREATE FOR IT ANY OTHER OBLIGATION OR LIABILITY IN CONNECTION WITH THESE PRODUCTS.

OCCSAFETY PTY. LTD. SHALL NOT BE LIABLE FOR INCIDENTAL OR CONSEQUENTIAL DAMAGES RESULTING FROM A PRODUCT PERFORMING IN BREACH OFTHIS WRITTEN WARRANTY.