

CROWN

PTH 50 SERIES



Durability That Lasts

Crown takes the design of every truck seriously. The PTH 50 Series receives attention to performance and value in everything from engineering and design to manufacturing and testing.

Unlike “throw-away” trucks available today, Crown’s PTH 50 Series features solid construction, generous use of steel, and ergonomic features that make it the easiest to use shift after shift, year after year. With millions of trucks sold worldwide, our reputation is an important part of each truck we sell.

**3
YEAR
WARRANTY***

Feel the difference in Crown’s **strong, yet ergonomic design** that uses more steel where it’s needed most.

Refined fork tip design **increases flexibility** for use in any application with a 75 mm fork clearance.

Steer and load wheels are engineered with **high-quality** compounds and bearings.

Forks with C-channel formed steel provide **added strength**.

Cross braces and steel forgings on lift truck arms **prevent twisting**.

Yellow chromate pins and shafts **resist corrosion**.

Includes **sealed and lubricated for life** bushings and bearings where others feature grease fittings.

Reinforced lower handle

**1M
CYCLES**

Pump valve tested to **over one million cycles** and minimises contamination and corrosion with hard chrome pistons.

Ease Of Use You Can Feel

Easy handling and versatile performance make the PTH 50 Series an ideal solution in every point of your operation. Crown designed the truck with features to provide greater convenience for the operator, so the truck works harder for you.

Repetitive Tasks Simplified

Complete recurrent tasks more easily and reduce fatigue with an ergonomic handle that includes:

- a contoured design
- low-stress pump action
- a neutral lever position that provides ergonomic access
- an automatic return-to-vertical position



Pallet entry/exit is **optimised** with rollers, an exit ramp and a tapered fork tip design.

Box-style push rods ensure **better longevity**.



Articulating wheels

The PTH 50 Series has 180 mm articulating wheels designed to maintain optimal contact with the floor to help manoeuvre over uneven surfaces, across docks, and in and out of trailers.

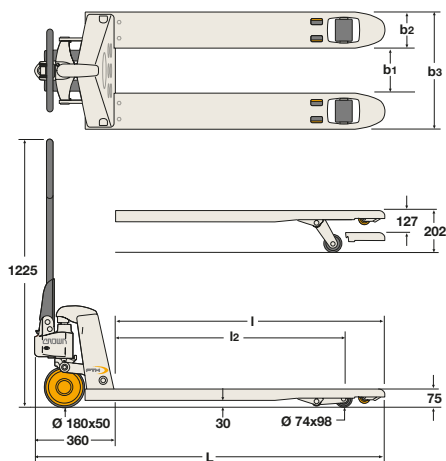
Easy to Maintain

Not only is the PTH 50 Series easy to handle and manoeuvre, Crown has designed it to be as maintenance-free as possible. Each part is economical to replace and readily available, so you can save effort, time and money.

The PTH 50 Series: Exceptional Long-Term Value.
Contact your local Crown partner at crown.com

*A 3-year Supplemental Warranty covering pump assembly, frame, handle, lift linkage and pushrod weldments is included with all PTH 50 models, excluding PTH 50S and PTH 50PS.

Hand Pallet Trucks PTH



Model	Overall Length L mm	Fork Length l mm	Load Wheel Lowered l2 mm	Outside Fork Spread b3 mm	Inside Fork Spread b1 mm	Weight kg
PTH 18-32	1155	795	648	450	130	55
PTH 18-39	1350	990	843	450	130	60
PTH 18-45	1510	1150	1003	450	130	64
PTH 20-32	1155	795	648	520	200	57
PTH 20-39	1350	990	843	520	200	62
PTH 20-45	1510	1150	1003	520	200	66
PTH 27-32	1155	795	648	685	365	61
PTH 27-39	1350	990	843	685	365	66
PTH 27-45	1510	1150	1003	685	365	70

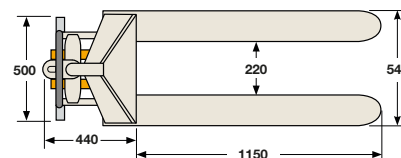
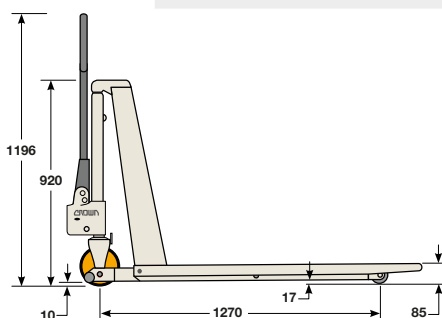
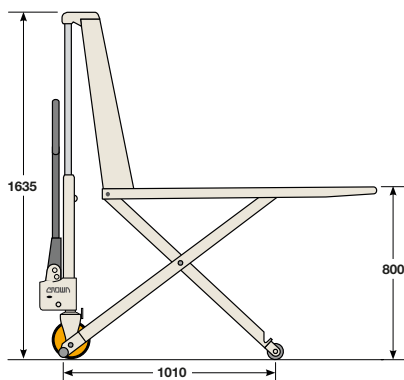
Capacity	2300 kg	Tyre type	Polyurethane
Width of each fork (b2)	160 mm	Steer wheels	ø 180 x 50 mm
Lift height	127 mm	Load wheels	ø 74 x 98 mm
Ground clearance	30 mm		

Scissor Lift Pallet Trucks PTH

Schematics provide details on manual scissor lift. See chart at right for power scissor lift specifications.

Model	Lift Type	Overall Length mm	Fork Length l mm	Fork Height mm	Outside Fork Spread mm	Inside Fork Spread mm	Weight kg
PTH 50 S	Manual	1590	1150	85	540	220	158
PTH 50 PS	Electric	1650	1150	85	540	220	195

Capacity	1000 kg	Tyre type	Polyurethane
Width of each fork (b2)	160 mm	Steer wheels	ø 180 x 50 mm
Lift height	800 mm	Load wheels	ø 74 x 74 mm
Ground clearance	17 mm		



CROWN

Crown Gabelstapler GmbH & Co. KG

Philipp-Hauck-Str. 12
85622 Feldkirchen, Germany

Tel +49(0)89-93002-0

Fax +49(0)89-93002-133

crown.com

Because Crown is continually improving its products, specifications are subject to change without notice.

Crown, the Crown logo, the colour beige, the Momentum symbol, Work Assist and the ecologic logo are trademarks of Crown Equipment Corporation in the USA and other countries.

Copyright 2016-2020 Crown Equipment Corporation
PTH 50 BROCH GB 06/20, 10 – M01005-006-00
Printed in Germany

ecologic™

Clean Environment. Smart Business.

Printed on elemental chlorine free and sustainably forested paper.

twitter.com/crown_europe_en

news.crown.com/uk/feed/