

36kg INDUSTRIAL DRYER



ADG80i

WHY PURCHASE ADC i-SERIES DRYERS?

For over half a century ADC has been in pursuit of creating the perfect dryer and supplying those industrial dyers to over 90 countries worldwide. As part of the Maytag Commercial family, ADC Dryers are proudly American built and committed to designing the ultimate drying machine. The All-New Intelligent Dryer series continues the legacy of cutting-edge technology with unsurpassed reliability for your peace of mind.

Performance

Through innovative design, the i-Series dryers achieve higher performance, industry-leading efficiency, shorter dry times and safer, more reliable operation.

What an owner wants, an owner gets: saving money on utilities and maintenance. Anyone can say their dryers have the best performance, the Intelligent Dryer Series has the features to prove it.

Reliability

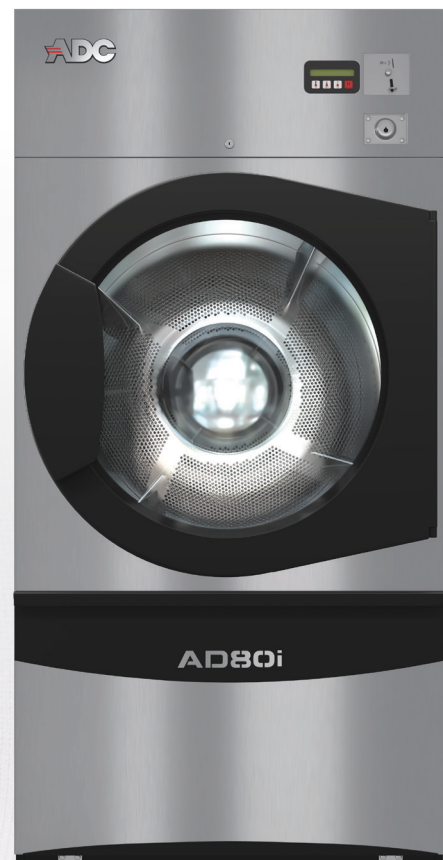
We know you require more than just outstanding performance in the toughest laundry environments. To accommodate this, ADC engineered the i-Series with years of reliable operation as an absolute design necessity and backed it by the best warranty in the industry. A sturdy steel welded cabinet, fewer moving parts and top-quality components are the foundation of these i-Series dryers. Costly repairs and unwanted downtime will become a thing of the past.

ADi FEATURES

- Variable drum speed with simplified inverter drive system for when reliability is key
- Pre-heat system and trans-axial airflow for maximum efficiency and fastest possible dry times
- Fully insulated cabinet to keep heat inside your dryer and out of your laundry room
- Gravity self-cleaning lint screen for easier maintenance on site
- Two-point roller support
- Single-phase reversing basket prevents your linens from tangling and ensures easy installation
- Stainless steel basket and fronts give you the sharpest aesthetic and most durable product
- SAFE fire suppression for your peace of mind.
- Simple IMC intelligent controls with one-touch cycle selection
- **Unbeatable 5 Year warranty – all parts covered**
- Available in Natural Gas, LPG or Electric operation

Order your new AD Industrial dryer as:

- Non-Coin Operation
- Coin or Token Operation
- Card Only Operation



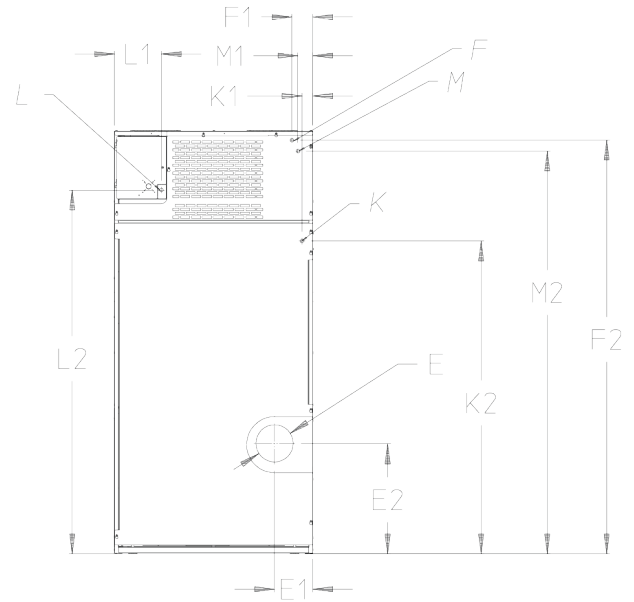
ADG80i COIN DRYER PICTURED

36kg INDUSTRIAL DRYER

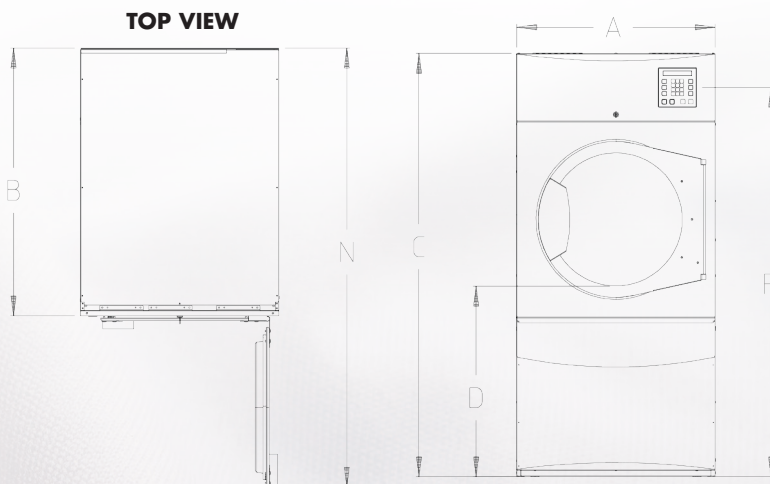


ADG80i

SPECIFICATIONS ADG80i		
Maximum Capacity (dry weight)	36 kg	
Tumbler Diameter	93.98 cm	
Tumbler Depth	90.01 cm	
Tumbler Volume	624.39 L	
Tumbler/Drive Motor	0.74 kW	
Blower/Fan Motor*	0.56 kW	
Cabinet Width	99.06 cm	
Cabinet Depth	133.03 cm	
Cabinet Height	197.80 cm	
Door Opening (diameter)	79.69 cm	
Door Sill Height	73.66 cm	
Water Connection	3/4" B.S.P.T.	
GAS	Voltage	240V Single Phase 50Hz 10Amp
	Approximate Net Weight	320 kg
	Approximate Shipping Weight	340 kg
	Airflow	24.91 cmm
	Heat Input	34,019 kcal/hr
	Exhaust Connection (diameter)	20.32 cm
	Inlet Pipe Connection	1/2" B.S.P.T. (Female)

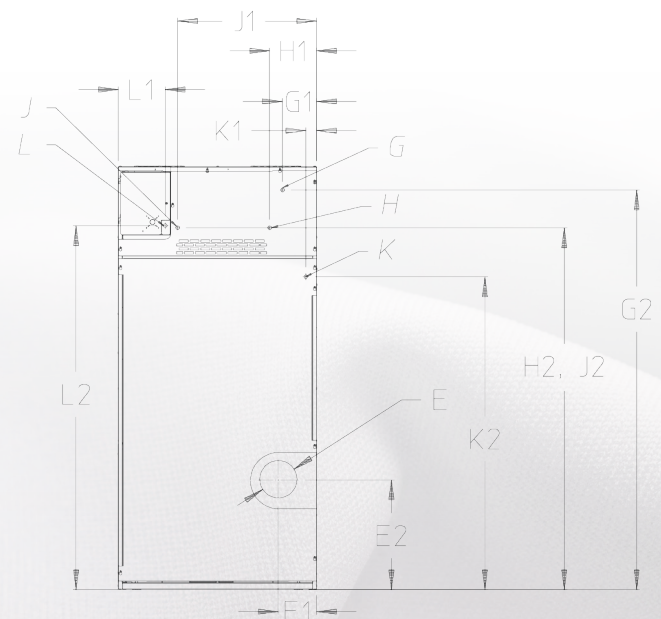


REAR VIEW



TOP VIEW

FRONT VIEW



REAR VIEW

DIMENSIONS (All dimensions in cm)

E1	E2	F1	F2	G1	G2	H1	H2	J1	J2	K1	K2	L1	L2	M1	M2	N	P
17	43	6	179	21	188	28	169	71	169	4	158	19	167	9	187	229	178

NOTE: The manufacturer reserves the right to make changes in specifications at any time, without notice or obligation.