



Supporting you

1300 362 923

www.healthtec.com.au

## EXAMINATION RANGE

# GP Universal Examination Table

Designed to comply with RACGP recommendations.

The SX Universal Examination Table is designed to help with patient examinations and treatments where cubicle space is an issue.

The low minimum height allows for easy patient access and comfort while the maximum height can quickly be set to suit the practitioners requirements and each end section can be raised to provide a backrest for left and right patient examinations and procedures.



### FEATURES

- Electric height adjustment with footswitch
- X-Frame lift action minimises pinch & crush points
- Heavy duty independently lockable castors
- Durable powder coated rust resistant frame
- High quality anti-microbial vinyl & CFC free foam
- Australian designed & manufactured

### SPECIFICATIONS

WIDTH	710mm
LENGTH	1930mm
FOAM	50mm
VINYL	PVC (tested to AS1530.3)
HEIGHT RANGE	450mm to 950mm
HEIGHT SPEED	Full height within 16 seconds
CONTROLLER	Footswitch
BASE	SX X-Frame with lockable castors
LIFT CAPACITY	250kg (moving)
SAFE WORKING LOAD	400kg (stationary)
WARRANTY	5 year Electrical Lifetime Structural (parts only)

### AVAILABLE ACCESSORIES



Paper Towel Roll Holder



Gynae Leg Supports



### The Healthtec Warranty

Healthtec offers a lifetime warranty on all our manufactured tables and a five year warranty on motors and foot switches from date of purchase. Original suppliers warranty applies.

ARTG 132667

© August 2018





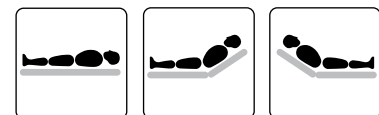
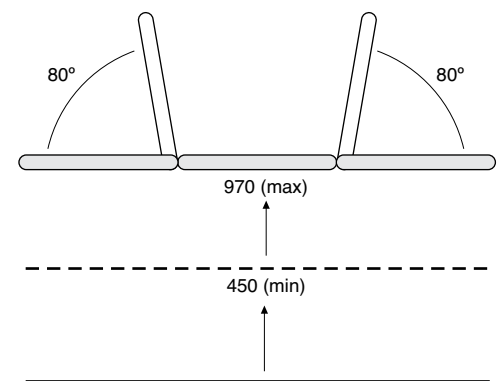
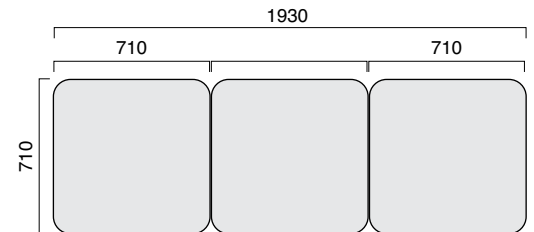
Supporting you

www.healthtec.com.au

# PRICE SHEET

## GP Universal Examination Table

	CODE	QTY
<b>Product Description</b>		
SX GP Universal Examination Table (710 wide) – Three Section w/Castors	50221T-7	
<b>Foam and Vinyl Upgrade</b>		
Non-Stock Vinyl Upgrade	6018	
5mm Comfort Foam Upgrade	6005	
<b>Width Options</b>		
660mm Width Option	-65	
610mm Width Option	-61	
<b>Head Section Options</b>		
Nose Hole and Plug	6010	
<b>Examination Options</b>		
Procedure Arm	5102	
Gynae Leg Supports	5114	
<b>Castor Options</b>		
SX Hoist Access (140mm Clearance)	6028	
Central Locking Castor Option	6037	
<b>Motor &amp; Footswitch Options</b>		
Additional Single Footswitch (1 Function)	6020	
<b>Table Protection</b>		
Paper Towel — Roll Holder	6017	
<b>Extended Warranty</b>		
10 years on Electrical	7800	
<b>Freight</b>		
Freight is calculated by a Healthtec Representative when you place your order.		
Shipping Dimensions	2050mm x 850mm x 750mm	
Shipping Weight	80kg	



**FRECALL**  
**1300 362 923**  
 info@healthtec.com.au



Healthtec Pty Ltd ABN 94 224 518 379 ARTG 132667  
 © August 2018

Disclaimer: Due to our policy of constant product improvement, specifications may change without notice. Check with us for the latest specifications and pricing.