



# **ELECTRIC 20 PLACE FUSION**

## **FURNACE**

Fact Sheet

info@fandasupplies.com  
tel: +61 8 9399 9299

**FURNACE & ASSAY  
SUPPLIES**

## PRODUCT SUMMARY

The Electric 20 Place Fusion Furnace is suitable for small labs processing between 100 to 400 samples per day, including standards.

### FUEL SOURCE

Electrical Connection is 3 phase with Earth  
Transformer 15kVa Multi-tap  
50-60Hz

### CRUCIBLES

20 x 50gram  
20 x 65gram  
30 x 30gram  
30 x 40gram  
30 x 55gram

### INTERNAL DIMENSION

560mm deep  
480mm wide  
190mm high

### PAIR WITH

50 Place Cupellation Furnace  
Electric 50 Place Cupellation Furnace



## ABOUT US

Furnace and Assay Supplies Pty Ltd was established in 2007 with a goal to create a fire assay equipment manufacturing company with an unparalleled focus on quality and customer service.

Not only a manufacturer, Furnace and Assay lead the industry with their Technical and Maintenance services. Furnace and Assay understand that in an industry where many Laboratories are in some of the most remote locations in the world, maintenance and technical support can be the difference for their success and survival in a competitive market.

Furnace and Assay service a network of customers worldwide, providing expertise from service and repair of equipment, technical support, design advice for modifying or establishing fire assay rooms. Furnace and Assay offer staff education for furnace equipment operation, maintenance and repair.

“My staff are my family and my clients around the world are my friends.”

– Peter Bellinger (Founder)

In an industry where your name and reputation are everything, Furnace and Assay are considered the benchmark for quality. Despite this Furnace and Assay continue to grow and improve, with constant research and development into their manufacturing processes to create a more efficient product and to keep raising the bar.

Furnace & Assay Supplies Pty Ltd has an experienced team specialising in manufacturing, servicing and administration. With the guidance and continued involvement of Peter Bellinger and his daughter Megan, the family business feel will not be lost from Furnace and Assay Supplies.

[info@fandasupplies.com](mailto:info@fandasupplies.com)  
tel: +61 8 9399 9299  
[www.fandasupplies.com](http://www.fandasupplies.com)

# ENERGY SOURCE

## INFORMATION

Depending on regional requirements, furnaces are available with different electrical inputs and voltage.



## ELECTRIC

Power Requirements	Volts – 220, 380, 415, 440
Phase – 3	
Fuel Type	Electricity
Transformer	15kVa Multi-tap 50-60Hz

## CONSTRUCTION

Base construction uses high-quality RHS.

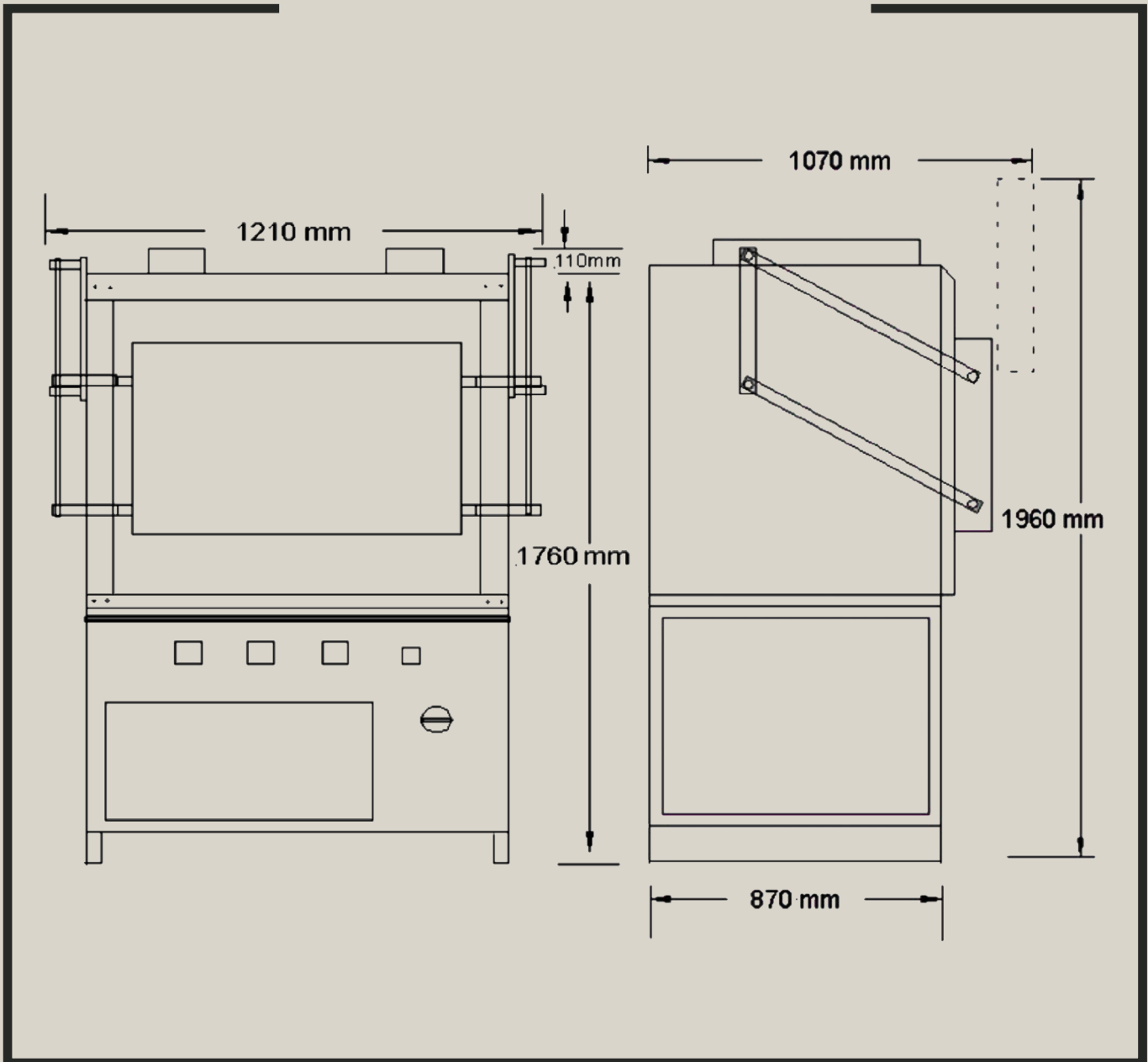
Furnace body construction is durable 2mm laser-cut plate

High quality refractory brick and insulation

Pneumatic door controls with foot pedal controller—available with an optional hand valve controller

Door panel for easy access to Transformer

## DIMENSIONS



### SHIPPING DIMENSIONS

ISPM Heat Treated Export Crates

Length: 1410mm

Width: 1490mm

Height: 2080mm

Weight: 1050kg

