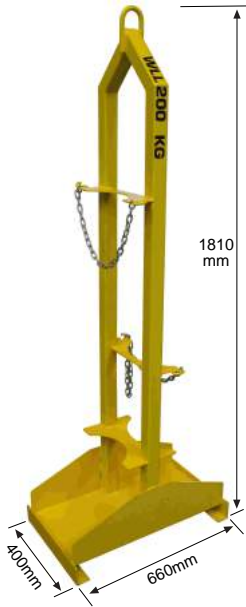
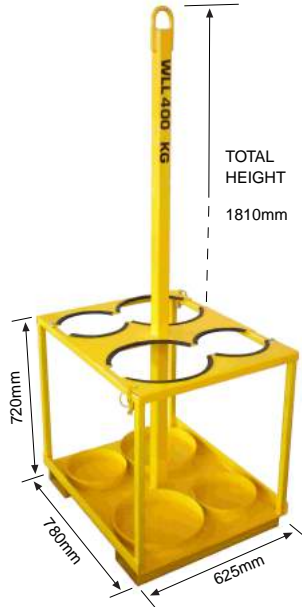


OXY/ACETYLENE LIFTING FRAME



Capacity: 200kg
(1x)oxy + (1x)acetylene



Capacity: 400kg
(2x)oxy + (2x)acetylene



Capacity: 600kg
(4x)oxy + (2x)acetylene

- Versatile oxy/acetylene bottle lifting units
- Use as an overhead lifting frame or as a forklift attachment
- Durable powdercoat finish
- Supplied tested and certified



WE CAN ALSO MANUFACTURE ITEMS TO SUIT YOUR SPECIAL REQUIREMENTS

OXY/ACETYLENE LIFTING TROLLEY



Capacity: 200kg

- Versatile oxy/acetylene storage unit
- Use as an overhead lifting frame, forklift attachment, or hand trolley
- Handy toolbox for storage
- Finished in Safety Golden Yellow
- Supplied tested & certified



WE CAN ALSO MANUFACTURE ITEMS TO SUIT YOUR SPECIAL REQUIREMENTS

Single bottle trolley units also available on request

