



BETTER MOBILITY. BETTER LIFE.

## 5327UAP125R05-28x45

EAN 4031582367553

Swivel castor with total lock, tail end of castor, housing and wheels made from high grade synthetic materials, with integrated threadguards, all metal parts are bright zinc plated, yellow thick layer passivated, solid plug fitting. Wheel centre made of Polyamide, Tread: Polyurethane, precision ball bearing

Hint: These castors are also with grey locking lever available.



Picture may differ from original product

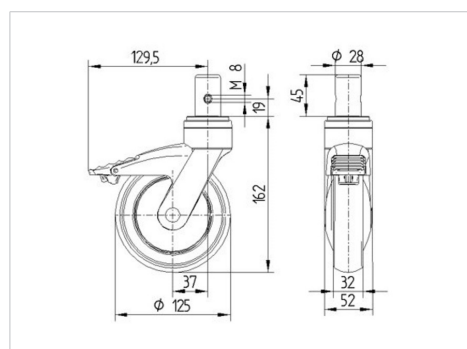
### Technical Data

Wheel diameter	125 mm
Width of Tread	32 mm
Bolt-Ø	28 mm
Bolt length	45 mm
Offset	38 mm
Swivel Interference	259 mm
Overall height	162 mm
Temperature	- 10 / + 40 °C
Standard	EN 12530
Weight	0.844 kg
Hardness of tread	Shore D 42
Load capacity	100 kg
Load capacity (static)	200 kg

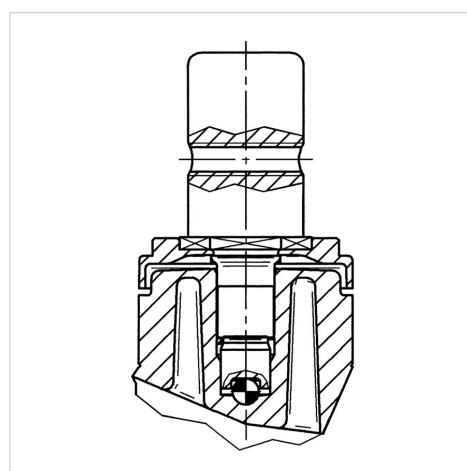
### Advantages at a glance

Roll performance	● ● ● ○ ○
Movement noise	● ● ● ● ○
Attrition	● ● ● ● ○
Corrosion resistance	● ● ● ● ○

### Dimensions



### Structure & Mounting



5327UAP125R05-28x45

EAN 4031582367553



BETTER MOBILITY. BETTER LIFE.

**Structure & Mounting**

---

