

AUSTRALIA



Gas Filled Thermometers

Also known as the gas-actuated thermometer, a gas-filled thermometer consists of a stem, capillary, and Bourdon tube that are combined to form a single unit. The entire measuring system is filled with an inert gas under pressure. Any change in temperature causes a change in internal pressure in the stem that deforms the measuring tube and creates a deflection which is transferred to the pointer and displays the temperature in the dial.



Our range of TXR & TXC Thermometers

offer superior temperature measurement suitable for a wide variety of applications

Supplied with 304 stainless steel cases and IP65 rated, these thermometers are suitable for Australia's harsh environmental conditions. These thermometers are available in nominal diameters of 63mm, 100mm, and 150mm, with ranges from -200 deg C up to 800 deg C and are available with a dry or Glycerine filled case for when vibration is present.

Floyd Australia also offers electrical contacts, built-in transmitters and maximum or minimum pointers, as well as a full range of screwed or flanged thermowells, to suit the customer's requirements.

Features

- Supplied dry or liquid filled
- Superior resistance to shock
- Stainless steel case & bezel
- Full stainless steel wetted parts
- Nominal sizes (mm) 63,100,150
- IP65 degree of protection
- Highly accurate

Applications

- Hydraulic & Pneumatic Systems
- Plant construction
- OEM Equipment
- Marine
- Power Generation
- Pumps & Compressors
- Food & Beverage
- Chemical/Petrochemical

Specifications

Range

- -200 deg C up to 800 deg C

Case

- Stainless steel AISI-304 case & bayonet bezel ring

Dial

- Aluminum

Accuracy

- $\pm 1.0\%$ of full span

Window

- Laminated safety glass

Pointer

- Aluminum, black

Connection

- Slide on stem standard



TXC Temp with Capillary



TXR Temp with Rigid Stem

TXR Product Selection Data

Choose your product specifications and options below to configure your product

Type — Diameter — Mounting — Range — Bulb Length — Bulb Diameter — Connection — Options

— — — — — — —

Type	Diameter		Mounting		Range			Bulb Length												
TXR	063	63mm	AS	Rigid Bottom Connection	Code	Division	Range Dec C	To be specified by client												
	100	100mm	CS	Rigid Rear Connection	T02	5C	-100 +100	<table border="1"> <thead> <tr> <th colspan="2">Options</th> </tr> </thead> <tbody> <tr> <td>OF</td> <td>Glycerine Filled</td> </tr> <tr> <td>EC</td> <td>Electrical Contacts</td> </tr> <tr> <td>CD</td> <td>Special Dial markings</td> </tr> <tr> <td>MP</td> <td>Maximum Pointer</td> </tr> <tr> <td>PW</td> <td>Perspex Window</td> </tr> </tbody> </table>	Options		OF	Glycerine Filled	EC	Electrical Contacts	CD	Special Dial markings	MP	Maximum Pointer	PW	Perspex Window
	Options																			
OF	Glycerine Filled																			
EC	Electrical Contacts																			
CD	Special Dial markings																			
MP	Maximum Pointer																			
PW	Perspex Window																			
150	150mm	T03	5C	-100 +50																
		T05	2C	-50 +50																
		T09	1C	-30 +50																
		T12	2C	-20 +120																
		T13	1C	-10 +50																
		T14	1C	0-60																
		T15	1C	0-80																
		T16	2C	0-100																
		T17	2C	0-120																
		T18	5C	0-160																
		T29	5C	0-200																
		T20	5C	0-250																
		T21	10C	0-400																
		T22	10C	0-600																
		T23	10C	0- 800																

Bulb Diameter		Connection	
A	6 mm	Code	Size
B	6.5 mm	01	Plain
C	8 mm	02	1/2" BSP
D	11 mm	03	1/2" NPT
E	12 mm	04	3/8" BSP
F	12.5 mm	05	1/4" BSP
G	20 mm		

Do you need a Thermowell?

Thermowells make it possible to remove the instrument without dropping pressure or losing any process medium. This also protects the instrument from getting bent by the pressure applied by the process media. Few value-added options for process management are as simple and practical as a thermowell.

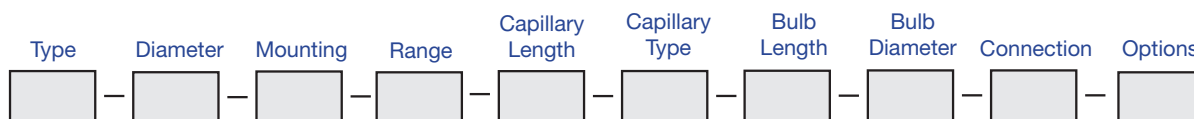
Whether it is a custom design or a common configuration, Floyd Australia supply to the highest quality and precision.

Looking for other specifications?

As the leader in pressure and temperature instruments in Australia, we envision ourselves not only as a supplier of top notch measurement devices, but also dependable partner that can create individually designed solutions together with you. On the basis of your specific applications, in close cooperation with you, we are ready to develop products that are applicable for you. Enquire today to discuss your customized gauge requirements with one of our friendly Customer Care team members.

TXC Product Selection Data

Choose your product specifications and options below to configure your product



Type	Diameter		Mounting		Range			Capillary Length	
TXC	063	63mm	SS	Surface Mount / flexible capillary at bottom	Code	Division	Range Dec C	To be specified by client	
		100			100mm	T02	5C		
	150		150mm	T03	5C	-100 +50			
				FS	Flush mount / flexible capillary at Rear	T05	2C		
			PS			Panel mount / flexible capillary at rear U clamp fixing	T09		
							T12		
					T13	1C	-10 +50		
					T14	1C	0-60		
					T15	1C	0-80		
				T16	2C	0-100			
				T17	2C	0-120			
				T18	5C	0-160			
				T29	5C	0-200			
				T20	5C	0-250			
				T21	10C	0-400			
				T22	10C	0-600			
				T23	10C	0-800			

Capillary Type		Bulb Length	
O	None	To be specified by client	
S	321 Stainless Steel		
SA	321 stainless steel with 304 Stainless Steel Armour Protection		
SP	321 Stainless Steel with PVC Protection		

Connection		Options	
Code	Size	OF	Glycerine Filled
01	Plain	EC	Electrical Contacts
02	1/2" BSP	CD	Special Dial markings
03	1/2" NPT	MP	Maximum Pointer
04	3/8" BSP	PW	Perspex Window
05	1/4" BSP		

Bulb Diameter	
A	6 mm
B	6.5 mm
C	8 mm
D	11 mm
E	12 mm
F	12.5 mm
G	20 mm

Do you need a Thermowell?

Thermowells make it possible to remove the instrument without dropping pressure or losing any process medium. This also protects the instrument from getting bent by the pressure applied by the process media. Few value-added options for process management are as simple and practical as a thermowell.

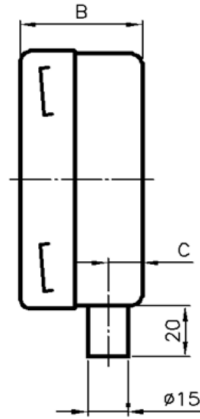
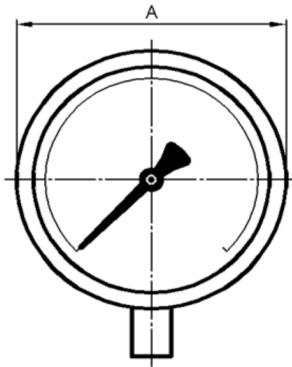
Whether it is a custom design or a common configuration, Floyd Australia supply to the highest quality and precision.

Looking for other specifications?

As the leader in pressure and temperature instruments in Australia, we envision ourselves not only as a supplier of top notch measurement devices, but also dependable partner that can create individually designed solutions together with you. On the basis of your specific applications, in close cooperation with you, we are ready to develop products that are applicable for you. Enquire today to discuss your customized gauge requirements with one of our friendly Customer Care team members.

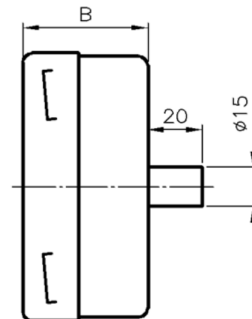
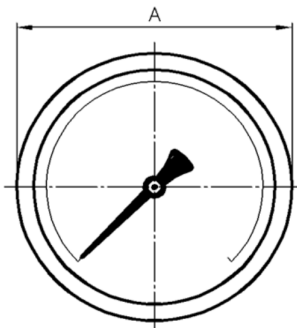
Dimensional Data

TXR - Direct mount rigid stem at bottom



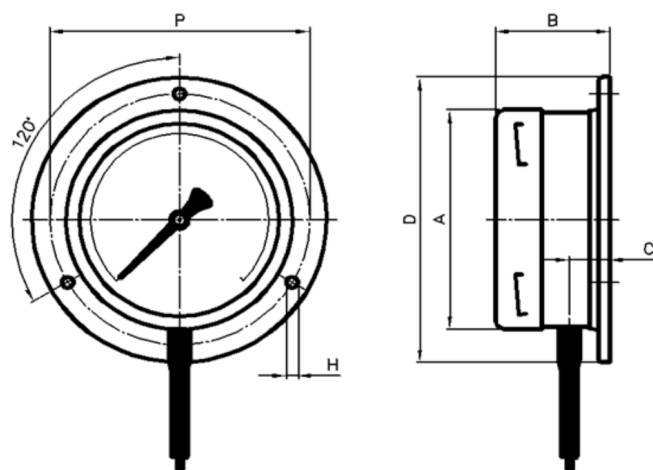
DIM.	CASE DIAMETER (mm)		
	063	100	150
A	65	101	161
B	38	45	45
C	13	13	13

TXR - Direct mount rigid stem at rear



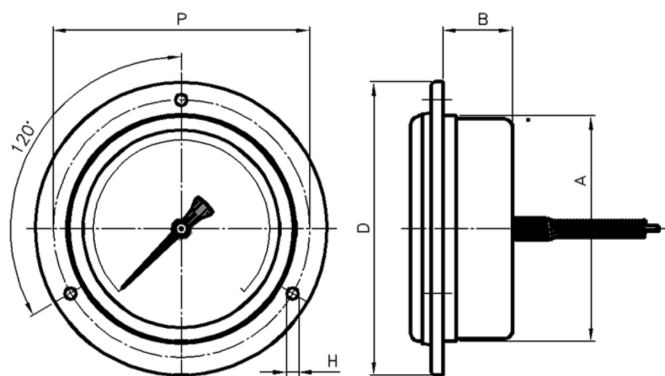
DIM.	CASE DIAMETER (mm)		
	063	100	150
A	65	101	161
B	38	45	45

TXC - Surface mount / flexible capillary at bottom



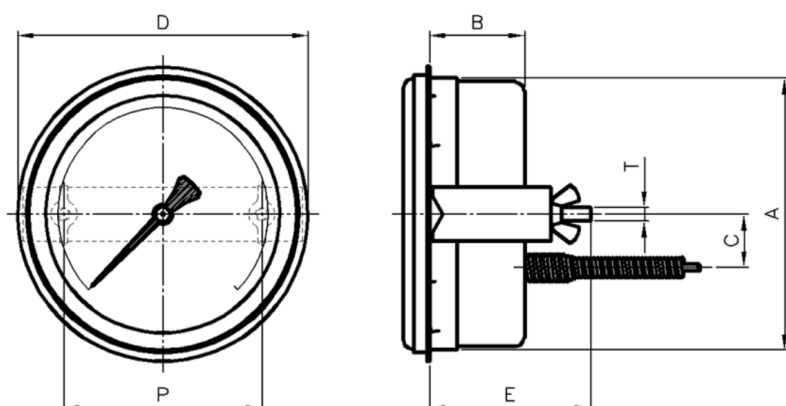
DIM.	CASE DIAMETER (mm)		
	063	100	150
A	65	101	161
B	41	51	51
C	13	13	13
D	86	132	196
H	3.5	5.5	6
P	75	116	178

TXC - Flush mount / flexible capillary at rear



DIM.	CASE DIAMETER (mm)		
	063	100	150
A	65	101	161
B	33	31	32
D	86	132	196
H	3.5	5.5	6
P	75	116	178

TXC - Panel mount / flexible capillary at rear U clamp fixing



DIM.	CASE DIAMETER (mm)		
	063	100	150
A	65	101	161
B	30	35	25
C	20*	20	20
D	70	112	180
E	50	60	60
P	33	75	139
T	M5	M5	M5

*20 mm to the left (front view)