

KOMATSU®

PC170LC-11

EPA Tier 4 Final Engine

Australia & New Zealand Specifications

HYDRAULIC EXCAVATOR



Photos may include optional equipment.

NET HORSEPOWER

90kW / 121 HP @ 2100 rpm

OPERATING WEIGHT

17,710 – 18,390 kg

BUCKET CAPACITY

0.34 – 0.77 m³

PC170LC

WALK-AROUND

PC170LC-11



Photos may include optional equipment.

NET HORSEPOWER

90kW / 121 HP @ 2100 rpm

OPERATING WEIGHT

17,710 – 18,390 kg

BUCKET CAPACITY

0.34 – 0.77 m³

POWER, CONTROL AND FUEL EFFICIENCY

Komatsu's Closed-centre Load Sensing System (CLSS)

Provides quick response and smooth operation to maximise productivity.

New engine and hydraulic control technology

Improves operational efficiency and lowers fuel consumption by up to 5%.

A powerful **Komatsu SAA4D107E-3 engine** provides a net output of 90 kW 121 HP. This engine is EPA Tier 4 Final emissions certified.

Water Cooled Variable Geometry Turbocharger helps improve durability and improves engine response under all speed and load conditions.

Temperature controlled viscous fan clutch helps improve fuel efficiency and reduce sound levels.

Komatsu Diesel Oxidation Catalyst (KDOC) reduces particulate matter using passive regeneration 100% of the time. No active or manual regeneration is required.

Selective Catalytic Reduction (SCR) reduces NOx and has easy to access components.

The **KOMTRAX®** telematics system is standard on Komatsu equipment with no subscription fees. Using the latest wireless technology, **KOMTRAX®** transmits valuable information such as location, utilisation, and maintenance records to a PC or smartphone app. Custom machine reports are provided for identifying machine efficiency and operating trends. **KOMTRAX®** also provides advanced machine troubleshooting capabilities by continuously monitoring machine health.

Large LCD colour monitor:

- 7" high resolution display
- Enhanced hydraulic attachment control with one way/two way flow and programmable work tool names and settings
- All machine settings and controls are easily accessible through the monitor

Rearview monitoring system (standard)

Six working modes are designed to match engine speed, pump output and system pressure to a wide range of applications.

Equipment Management Monitoring System (EMMS) continuously monitors machine operation and vital systems to identify machine issues and assist with troubleshooting.



Enhanced working environment

- High back, heated, air suspension operator seat with adjustable arm rests
- Integrated ROPS cab design
- Cab meets ISO Level 1 Operator Protective Guard (OPG) top guard
- Aux jack and (2) 12V power outlets

Komatsu designed and manufactured components

Wide access service doors provide easy access for ground level maintenance.

Handrails (standard) provide convenient access to the upper structure.

Lockable single pole battery isolation switch allows a technician to disconnect the power application before servicing the machine.

Komatsu Auto Idle Shutdown helps reduce nonproductive engine idle time and reduces operating costs.

Operator Identification System records KOMTRAX machine operation and application data for up to 100 individual ID codes.

PERFORMANCE FEATURES

KOMATSU NEW ENGINE TECHNOLOGIES

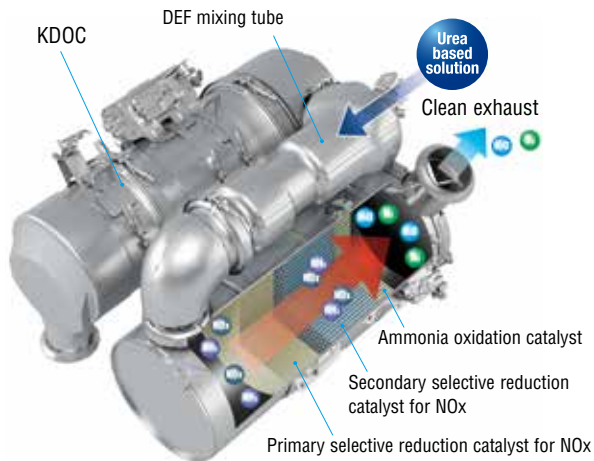
New Tier 4 Final Engine

The Komatsu SAA4D107E-3 engine is EPA Tier 4 Final emissions certified and provides exceptional performance while reducing fuel consumption. Based on Komatsu proprietary technologies developed over many years, this new diesel engine reduces particulate matter (PM) and nitrogen oxides (NOx) by 90% when compared to Tier 3 levels. Through the in-house development and production of engines, electronics, and hydraulic components, Komatsu has achieved great advancements in technology, providing high levels of performance and efficiency in virtually all applications.

Technologies Applied to New Engine

Heavy-duty aftertreatment system

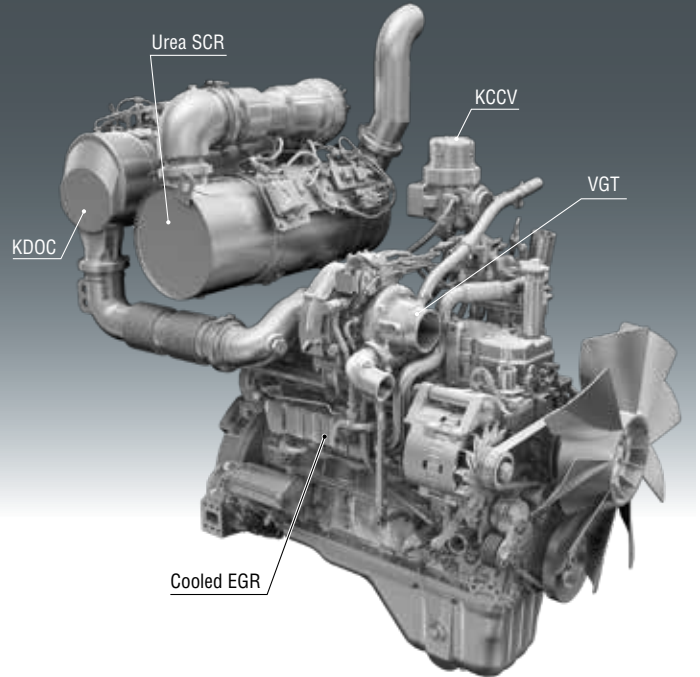
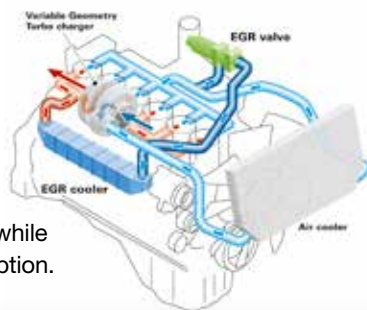
This new system combines a Komatsu Diesel Oxidation Catalyst (KDOC) and Selective Catalytic Reduction (SCR). The SCR NOx reduction system injects the correct amount of Diesel Exhaust Fluid (DEF) at the proper rate, thereby decomposing NOx into non-toxic water vapour (H₂O) and nitrogen gas (N₂).



Heavy-duty cooled Exhaust Gas Recirculation (EGR) system

The system recirculates a portion of exhaust gas into the air intake and lowers combustion temperatures to reduce NOx emissions.

Furthermore, while EGR gas flow is increased, by incorporating a high-efficiency and compactly designed cooling system, the system achieves a dynamic reduction of NOx, while helping reduce fuel consumption.

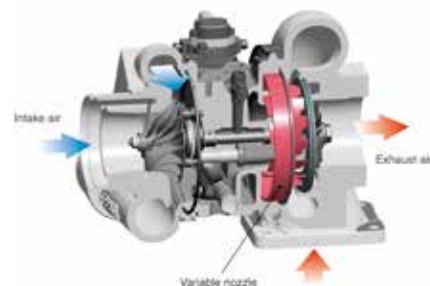


Advanced Electronic Control System

The electronic control system performs high-speed processing of all signals from sensors installed in the vehicle providing total control of equipment in all conditions of use. Engine condition information is displayed via an on-board network to the monitor inside the cab, providing necessary information to the operator. Additionally, managing the information via KOMTRAX helps customers keep up with required maintenance.

Variable Geometry Turbocharger (VGT) system

The VGT system features proven Komatsu designed hydraulic technology for variable control of air-flow and supplies optimal air according to load conditions. The upgraded version provides better exhaust temperature management.



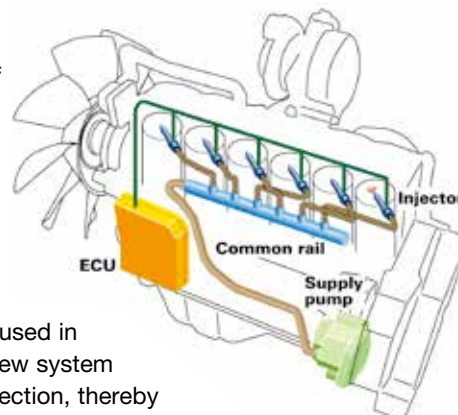
Komatsu Auto Idle Shutdown

Komatsu auto idle shutdown automatically shuts the engine down after idling for a set period of time to reduce unnecessary fuel consumption and exhaust emissions.



Heavy-Duty High-Pressure Common Rail (HPCR) Fuel Injection System

The system is designed to achieve an optimal injection of high-pressure fuel by means of computerised control, providing close to complete combustion to reduce PM emissions. While this technology is already used in current engines, the new system uses high pressure injection, thereby reducing PM emissions over the entire range of engine operating conditions. The Tier 4 Final engine has advanced fuel injection timing for reduced soot levels.



PERFORMANCE FEATURES

Reduced Fuel Consumption

The PC170LC-11's new tier 4 final engine along with enhancements in the hydraulic system considerably decreases fuel consumption.

Fuel Consumption

Reduced by 5%

(vs PC160LC-8 based on typical work pattern collected via KOMTRAX)

This fuel consumption data is the result compared actual measured value using the prototype machine. Actual fuel savings may vary depending on application and operating conditions.

Increased Work Efficiency

Large digging force

With the one-touch Power Max. function digging force has been further increased. (8.5 seconds of operation)

Maximum arm crowd force (ISO)

80.4 kN(8.2t) ➔ **86.3 kN(8.8t) 7% UP**
(with Power Max.)

Maximum bucket digging force (ISO)

113 kN(11.6t) ➔ **123 kN(12.5t) 8% UP**
(with Power Max.)

Measured with Power Max. function, 2620mm arm and ISO 6015 rating.



PC170LC-11

Efficient Hydraulic System

The PC170LC-11 uses a Closed-centre Load Sensing System (CLSS) that improves fuel efficiency and provides quick response to the operator's demands. The PC170LC-11 also incorporates new technology to enhance the engine and hydraulic pump control. This total control system matches the engine and hydraulics at the most efficient point under any load condition. There have also been improvements in the main valve and hydraulic circuit to reduce hydraulic loss, resulting in higher efficiency and lower fuel consumption.



Large Displacement High Efficiency Pump

Large displacement hydraulic implement pump provides high flow output at lower engine RPM as well as operation at the most efficient engine speed.



Working Mode Selection

The PC170LC-11 excavator is equipped with six working modes (P, E, L, B, ATT/P and ATT/E). Power Mode provides improved hydraulic power and faster cycle times for improved performance in demanding applications. Each mode is designed to match engine speed, pump flow, and system pressure to the application. The PC170LC-11 features an attachment mode (ATT/E) that allows operators to run attachments while in Economy mode.

Working Mode	Application	Advantage
P	Power Mode	•Maximum production, power & multifunction
E	Economy Mode	•Good cycle times with reduced fuel consumption
L	Lifting Mode/ Fine Control	•Increased lifting power & fine control
B	Breaker Mode	•One way flow for hydraulic breaker operation
ATT/P	Attachment Power Mode	•Two way flow with maximum power
ATT/E	Attachment Economy Mode	•Two way flow with most efficient fuel economy

- P** Performance priority
P mode
- E** Fuel savings priority
E mode
- L** Lifting operation
L mode
- B** One way flow breaker operation
B mode
- ATT/P** Two way flow attachment – Power
ATT/P mode
- ATT/E** Two way flow attachment – Economy
ATT/E mode

High Rigidity Work Equipment

Booms and arms are constructed with thick plates of high tensile strength steel. In addition, these structures are designed with large cross sectional areas and large one piece castings in the boom foot, the boom tip, and the arm tip. The result is work equipment that exhibits long term durability and high resistance to bending and torsional stress.



WORKING ENVIRONMENT

PG170LG-11





Comfortable Working Space

Wide spacious cab

The wide spacious cab includes a heated air suspension seat with reclining backrest. The seat height and position are easily adjusted using a pull-up lever. The armrest position is easily adjusted together with the console.

Arm rest with simple height adjustment function

A knob and plunger on the armrests allows easy height adjustment without the use of tools.



Low vibration with cab damper mounting

Automatic climate control

Pressurised cab

Auxiliary input jack

Connecting a regular audio device to the auxiliary jack allows the operator to hear the sound from the stereo speakers installed in the cab.



Standard Equipment

Sliding window glass (left side)



AM/FM stereo radio



Remote intermittent wiper with windshield washer



Emergency stop & level indicator



ISO Level 2 OPG



Magazine box & cup holder



Defroster (conforms to the ISO standard)



One-touch storable front window lower glass



WORKING ENVIRONMENT

PG170LG-11

LARGE HIGH RESOLUTION LCD MONITOR



New Monitor Panel Interface Design

An updated large high resolution LCD colour monitor enables accurate and smooth work. The interface has been redesigned to display key machine information in a new user friendly interface. A rear view camera and a DEF level gauge display have been added to the default main screen. The interface has a function that enables the main screen mode to be switched, thus enabling the optimum screen information for the particular work situation to be displayed.

Indicators

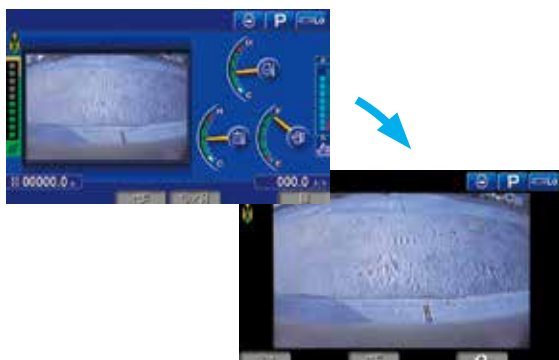
- | | |
|------------------------------------|-----------------------------|
| 1 Auto-decelerator | 8 Fuel gauge |
| 2 Working mode | 9 DEF level gauge |
| 3 Travel speed | 10 Service metre, clock |
| 4 Ecology gauge | 11 Fuel consumption gauge |
| 5 Camera display | 12 Guidance icon |
| 6 Engine coolant temperature gauge | 13 Function switches |
| 7 Hydraulic oil temperature gauge | 14 Camera direction display |
| | 15 DEF level caution lamp |

Basic operation switches

- | | |
|-------------------------|-------------------------|
| 1 Auto-decelerator | 4 Buzzer cancel |
| 2 Working mode selector | 5 Wiper |
| 3 Travel speed selector | 6 Window washer |
| | 7 Auto climate controls |

Switchable Display Modes

The main screen display mode can be changed by pressing the F3 key.



Visual user menu

Pressing the F6 key on the main screen displays the user menu screen. The menus are grouped for each function, and use easy-to-understand icons which enable the machine to be operated easily.



- | | |
|---------------------------------------|--------------------|
| 1 Energy saving guidance | 2 Machine settings |
| 3 Aftertreatment devices regeneration | 4 SCR information |
| 5 Maintenance | 6 Monitor setting |
| | 7 Message check |

Support Efficiency Improvement

Ecology guidance

While the machine is operating, ecology guidance pops up on the monitor screen to notify the operator of the status of the machine in real time.

Ecology gauge & fuel consumption gauge

The monitor screen is provided with an ecology gauge and also a fuel consumption gauge which is displayed continuously. In addition, the operator can set any desired target value of fuel consumption (within the range of the green display), enabling the machine to be operated with better fuel economy.



Ecology gauge Fuel consumption gauge
Ecology guidance

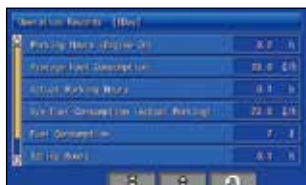
Operator Identification Function

An operator identification (ID) code can be set for each operator and used to manage operation information of individual machines using KOMTRAX data. Data sent from KOMTRAX can be used to analyse operation status by operator, application, as well as by machine.



Operation record, fuel consumption history, and ecology guidance record

The ecology guidance menu enables the operator to check the operation record, fuel consumption history and ecology guidance record from the ecology guidance menu, with a single touch, thus assisting operators with reducing total fuel consumption.



Operation record



Fuel consumption history



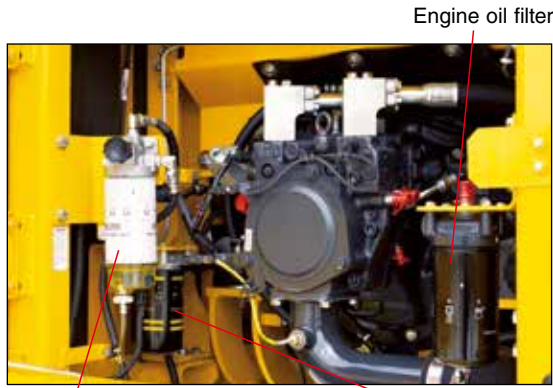
Ecology guidance record



MAINTENANCE FEATURES

Centralised engine check points

Locations of the engine oil check and filters are integrated into one side to allow easy maintenance and service.



Engine oil filter

Fuel pre-filter
(with water separator)

High efficiency fuel filter

Easy cleaning of coolers

Fuel pre-filter with water separator

High efficiency fuel filter

Easy access to engine oil filter, engine oil, drain valve, fuel drain valve and water separator drain valve

Battery isolation switch

A standard battery isolation switch allows a technician to disconnect the power supply and lock out before servicing the machine.



Easily accessible cabin air filter

Washable cab floor mat

Sloping track frame

Utility space



Long-life oils, filters

High performance filters are used in the hydraulic circuit and engine. By increasing the oil and filter replacement intervals, maintenance costs can be significantly reduced.



Hydraulic oil filter
(Ecology-white element)

- Engine oil & Engine oil filter every **500** hours
- Hydraulic oil every **5000** hours
- Hydraulic oil filter every **1000** hours

Large capacity air cleaner

Large capacity air cleaner is comparable to that of larger machines. The larger air cleaner can extend air cleaner life during long-term operation and helps prevent early clogging, and resulting power loss. A radial seal design is used for reliability.

Diesel Exhaust Fluid (DEF) tank

A large tank volume extends operating time before refilling and is installed on the right front platform for easy access. DEF tank and pump are separated for improved service access.



Maintenance Information

“Maintenance time caution lamp” display

When the remaining time to maintenance becomes less than 30 hours*, a maintenance time monitor appears. Pressing the F6 key switches the monitor to the maintenance screen.

* : The setting can be changed within the range between 10 and 200 hours.



Maintenance screen

Supports the DEF level and refill timing

The DEF level gauge is displayed continuously on the right side of the monitor screen. In addition, when DEF level is low, DEF low level guidance messages appear in pop up displays to inform the operator in real time.



DEF level gauge



DEF low level guidance

Cooling Package Debris Screens

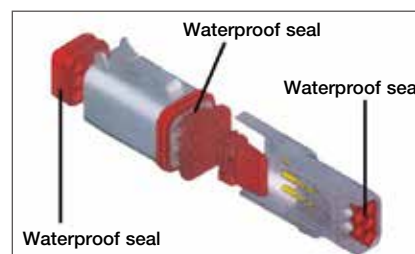
Debris screens reduce cooling package core plugging and are easily removable for cleaning.



Debris Screen

DT-type connectors

Sealed DT-type electrical connectors provide high reliability, water and dust resistance.



GENERAL FEATURES

ROPS CAB STRUCTURE

ROPS Cab (ISO 12117-2)

The machine is equipped with a ROPS cab that conforms to ISO 12117-2 for excavators as standard equipment. It also satisfies the requirements for Level 1 Operator Protective Guard (OPG) and top guard (ISO 10262).



Rear View Monitoring System

A new rear view monitoring system display has a rear view camera image that is continuously displayed together with the gauges and important vehicle information. This enables the operator to carry out work while easily checking the surrounding area.

Rear view camera

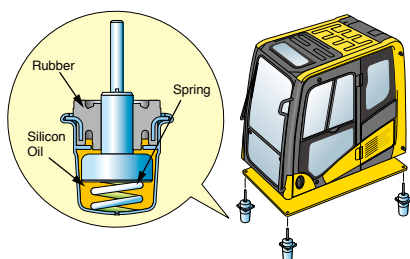


Rear view image on monitor



Low Vibration with Viscous Cab Mounts

The PC170LC-11 uses viscous mounts for the cab that incorporate a longer stroke and the addition of a spring. The cab damper mounting combined with a high rigidity deck reduces vibration at the operator's seat.



GENERAL FEATURES

Secondary engine shut down switch at base of seat to shutdown the engine.



Left and right side handrails



Seat belt caution indicator



Lock lever

Seat belt retractable

Tempered & tinted glass

Large mirrors

Slip-resistant plates

Thermal and fan guards

Pump/engine room partition

Travel alarm

Large cab entrance step



KALSS AUSTRALIAN STANDARD SPECIFICATION



Rotating Amber Beacon
Fitted with factory guard.



Level Indicator, Overload Alarm & Anti-Burst Valves
Enable safety and compliance when lifting suspended loads.



Additional Lighting
Extra lighting on cab for improved visibility.



Proportional Hand Controls
Enables proportional hand control of attachment speed.



Higher Capacity Air Conditioner
With increased cool down performance.

Rock Guard
Reinforced steel plate and ribs to provide additional protection of arm structure.

Bump Rails
For upper protection when slewing.

Revolving Frame Under Covers
Protects and prevents ingress of material into engine bay.

Factory Fitted Quick Hitch and Hammer Piping
Enables use with a greater variety of attachments. Also fitted with provision for tilt circuit including valve.

Image for illustrative purposes only. US model shown.



Lower Front Window Guard
Protects cabin windscreen against rocks and debris.



Battery Isolation
Single pole, lockable Bosch-type battery isolation.



E-Stops
Allow compliance to site safety requirements.



Bolt-on Top Guard
OPG level 2 (ISO 10262) for falling object protection.

Specification also includes factory fitted provisions for fire extinguisher, turbo timer, UHF and vandal covers to reduce lead times and costs. Photos may include optional equipment.

SPECIFICATIONS



ENGINE

Model.....Komatsu SAA4D107E-3*
 Type.....Water-cooled, 4-cycle, direct injection
 Aspiration..... Variable geometry turbocharged, aftercooled, cooled EGR

Number of cylinders..... 4
 Bore..... **107 mm** 4.21"
 Stroke..... **124 mm** 4.88"
 Piston displacement..... **4.46 ltr** 272 in³
 Horsepower:
 ISO 9249 / SAE J1349.....Net **90 kW** 121 HP
 Fan at maximum speed..... Net **85 kW** 114 HP
 Rated rpm.....2100
 Fan drive method for radiator cooling.....Mechanical with viscous fan clutch

Governor..... All-speed control, electronic
 *EPA Tier 4 Final emissions certified



HYDRAULICS

Type.....HydrauMind (Hydraulic Mechanical Intelligence) system, closed-centre system with load sensing valves and pressure compensated valves

Number of selectable working modes.....6

Main pump:
 Type..... Variable capacity piston type
 Pumps for.....Boom, arm, bucket, swing, and travel circuits
 Maximum flow..... **312 ltr/min** 82.4 gal/min

Hydraulic motors:
 Travel..... 2 x piston motors with parking brake
 Swing..... 1 x axial piston motor with swing holding brake

Relief valve setting:
 Implement circuits..... **37.3 MPa 380 kgf/cm²** 5,400 psi
 Travel circuit..... **37.3 MPa 380 kgf/cm²** 5,400 psi
 Swing circuit..... **28.9 MPa 295 kgf/cm²** 4,195 psi
 Pilot circuit..... **3.2 MPa 33 kgf/cm²** 470 psi

Hydraulic cylinders:
 (Number of cylinders – bore x stroke x rod diameter)
 Boom..... **2-110 mm x 1,175 mm x 75 mm** 4.3" x 46.3" x 3.0"
 Arm..... **1-120 mm x 1,342 mm x 85 mm** 4.7" x 52.8" x 3.3"
 Bucket..... **1-105 mm x 1,027 mm x 70 mm** 4.1" x 40.4" x 2.8"



DRIVES AND BRAKES

Steering control.....Two levers with pedals
 Drive method..... Fully hydrostatic
 Maximum drawbar pull..... **156 kN 15,950 kg** 35,164 lb
 Gradeability..... 70%, 35°
 Maximum travel speed (auto-shift):
 High..... **5.5 km/h** 3.4 mph
 Low..... **3.0 km/h** 1.9 mph

Service brake..... Hydraulic lock
 Parking brake..... Mechanical disc



SWING SYSTEM

Drive method.....Hydraulic motor
 Swing reduction.....Planetary gear
 Swing circle lubrication.....Grease-bathed
 Swing lock..... Mechanical disc brake
 Swing speed..... 12.0 rpm
 Swing torque..... **4,331 kg•m** 31,314 ft lbs



UNDERCARRIAGE

Centre frame.....X-frame leg
 Track frame.....Box-section
 Track type.....Sealed
 Track adjuster.....Hydraulic
 Number of shoes (each side)..... 44
 Number of carrier rollers (each side).....2
 Number of track rollers (each side).....7



COOLANT & LUBRICANT CAPACITY (REFILLING)

Fuel tank..... **300 ltr** 79.25 U.S. gal
 Radiator..... **27.3 ltr** 7.21 U.S. gal
 Engine..... **18 ltr** 4.8 U.S. gal
 Final drive, each side..... **5.4 ltr** 1.43 U.S. gal
 Swing drive..... **4.5 ltr** 1.2 U.S. gal
 Hydraulic tank..... **121 ltr** 32.0 U.S. gal
 DEF tank..... **29.6 ltr** 7.81 U.S. gal



OPERATING WEIGHT (APPROXIMATE)

Operating weight includes **5,150 mm** one-piece boom, **2,620 mm** arm, rated capacity of lubricants, coolant, full fuel tank, operator, standard equipment, KGA dual lock quick hitch, and SAE heaped **0.77 m³** bucket.

Triple-Grouser Shoes	Operating Weight	Ground Pressure
500 mm	17,790 kg	0.52 kg/cm ²
600 mm	17,990 kg	0.44 kg/cm ²
700 mm	18,190 kg	0.38 kg/cm ²
800 mm	18,390 kg	0.34 kg/cm ²

Component Weights

Arm including bucket cylinder and linkage
2,620 mm arm assembly..... **878 kg** 1,936 lb

One piece boom including arm cylinder
5,150 mm boom assembly..... **1,256 kg** 2,769 lb

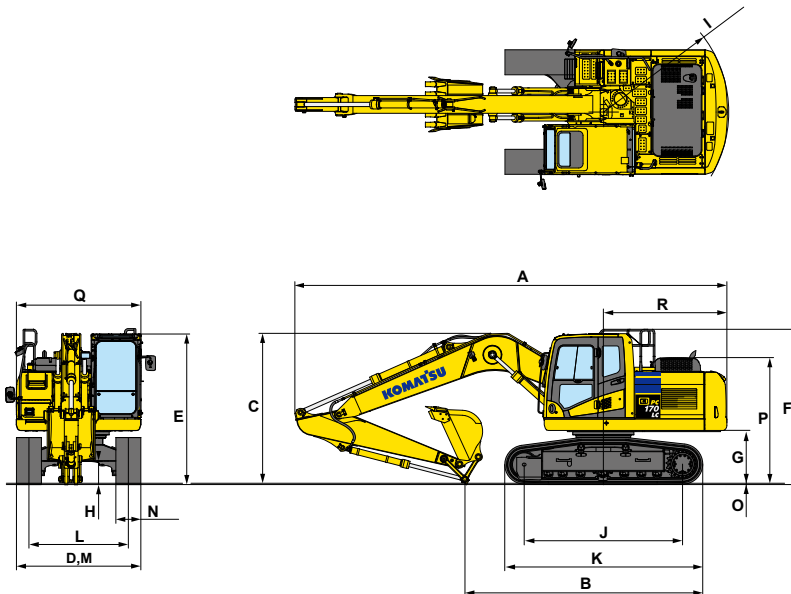
Boom cylinders x 2..... **127 kg** 280 lb
 Counterweight (standard)..... **2,990 kg** 6,590 lb



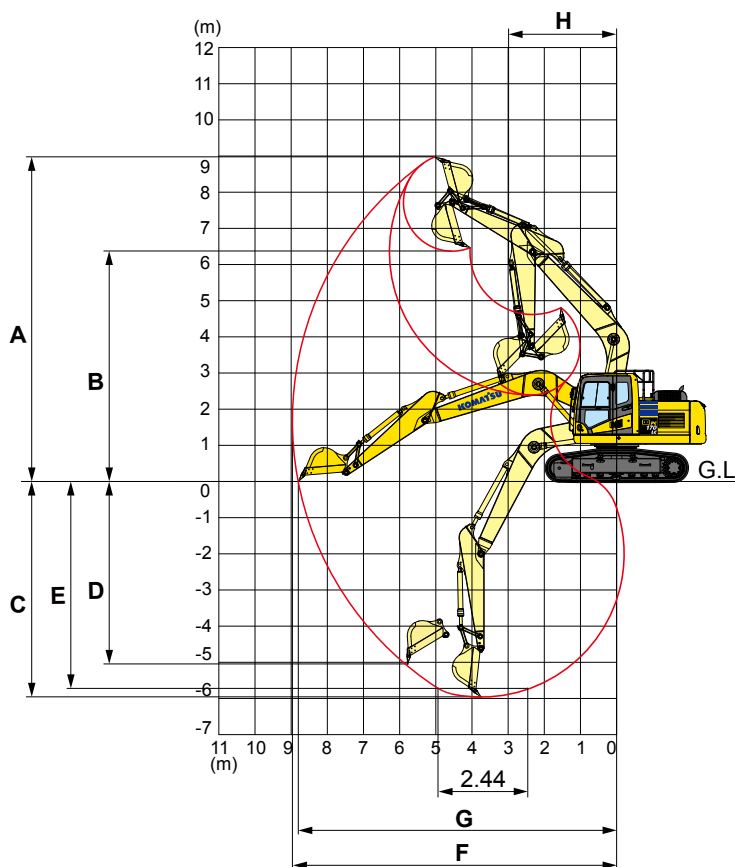
DIMENSIONS

Arm Length	2620 mm
A Overall length	8690 mm
B Length on ground (transport)	4760 mm
C Overall height (to top of boom)*	3040 mm
D Overall width	2490 mm
E Overall height (to top of cab)*	3020 mm
F Overall height (to top of handrail)	3110 mm
G Ground clearance, counterweight	1055 mm
H Ground clearance, minimum	440 mm
I Tail swing radius	2545 mm
J Track length on ground	3170 mm
K Track length	3965 mm
L Track gauge	1990 mm
M Width of crawler	2490 mm
N Shoe width	500 mm
O Grouser height	26 mm
P Machine height to top of engine cover	2710 mm
Q Machine upper width	2490 mm
R Distance, swing centre to rear end	2515 mm

* : Including grouser height



WORKING RANGE

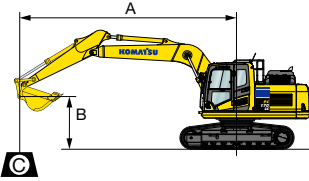


Arm Length	2620 mm	
A Max. digging height	8980 mm	
B Max. dumping height	6370 mm	
C Max. digging depth	5960 mm	
D Max. vertical wall digging depth	5040 mm	
E Max. digging depth of cut for 8' level bottom	5740 mm	
F Max. digging reach	8690 mm	
G Max. digging reach at ground level	8800 mm	
H Min. swing radius	2990 mm	
SAE rating	Bucket digging force at power max.	109 kN 11100 kgf
	Arm crowd force at power max.	83.4 kN 8500 kgf
	ISO rating	Bucket digging force at power max.
	Arm crowd force at power max.	86.3 kN 8800 kgf

LIFT CAPACITIES



LIFTING CAPACITY WITH LIFTING MODE



- A: Reach from swing centre
- B: Bucket hook height
- C: Lifting capacity
- Cf: Rating over front
- Cs: Rating over side
- ⊗ : Rating at maximum reach

- Conditions:
- Boom length: 5150 mm
 - Arm length: 2620 mm
 - Shoes: 500 mm triple grouser
 - Bucket: 495 kg

Unit: kg

B \ A	1.5 m		3.0 m		4.5 m		6.0 m		7.5 m		⊗ Maximum	
	Cf	Cs	Cf	Cs	Cf	Cs	Cf	Cs	Cf	Cs	Cf	Cs
6.0 m							*3350	3200			*2150	*2150
4.5 m							*4200	3150			*2100	*2100
3.0 m			*8700	*8700	*6000	4750	*4750	3000	3350	2000	*2200	1950
1.5 m			*7550	*7550	7450	4400	4700	2800	3250	1950	*2400	1800
0.0 m			*5350	*5350	7200	4150	4550	2700	3200	1900	*2850	1850
-1.5 m	*4600	*4600	*9400	7750	7100	4050	4450	2600			3450	2050
-3.0 m	*8800	*8800	*11050	7900	7150	4100	4500	2650			4300	2550
-4.5 m			*8100	*8100	*5500	4250					*5000	4050

*Load is limited by hydraulic capacity rather than tipping. Ratings are based on SAE Standard No. J1097. Rated loads do not exceed 87% of hydraulic lift capacity or 75% of tipping load.



STANDARD EQUIPMENT

- 2 speed travel with auto shift
- Alternator, 85 A, 24 V
- AM/FM radio
- Arm, 2620 mm
- Auto idle
- Auto idle, shutdown
- Automatic air conditioner, large capacity
- Automatic engine warm-up system
- Auxiliary input (3.5 mm jack)
- Batteries, large capacity
- Battery isolation switch, lockable
- Boom and arm burst valve protection
- Boom, 5150 mm
- Bump rails
- Cab guards
 - Lower front window guard
 - Integrated top guard, OPG Level 1
 - Bolt on top guard, OPG Level 2
- Carrier rollers, 2 each side
- Converter, (2) x 12 V
- Counterweight, 2990 kg
- Dry type air cleaner, double element
- Dual flow hammer piping
- Electric horn
- Emergency stops (3)
- EMMS monitoring system
- Engine overheat prevention system
- Engine, Komatsu SAA4D107E-3
- Fan guard structure
- Fuel system pre-filter 10 micron
- High back air suspension seat, with heat
- High pressure in-line hydraulic filters
- Hydraulic track adjusters
- HydraMind closed centre load sensing system
- KOMTRAX Level 5.0
- Large LCD colour monitor, high resolution
- Level indicator
- Lock lever
- Lock lever, auto-lock
- Mirrors (LH & RH)
- Operator identification system
- Overload alarm
- Power maximising system
- PPC hydraulic control system
- Proportional control handles
- Provision for tilt circuit, including valve
- Pump/engine room partition
- Quick hitch piping with safety switch and alarm
- Radiator and oil cooler dustproof net
- Rear reflectors
- Rearview monitoring system (1 camera)
- Revolving frame undercovers
- ROPS cab (ISO 12117-2) with vandal guard provisions
- Rotating beacon with guard
- Seat belt indicator
- Seat belt, retractable, 78 mm
- Secondary engine shutdown switch
- Side by side coolers
- Slip resistant foot plates
- Starter motor, 4.5 kW/ 24V x 1
- Suction fan with viscous clutch
- Thermal and fan guards
- Track frame swivel guard
- Track roller guides, 1 each side
- Track rollers, 7 each side
- Track shoes, triple grouser, 500 mm
- Travel alarm
- Working lights
 - 1 x boom
 - 1 x RH
 - 2 x cab
- Working mode selection system



OPTIONAL EQUIPMENT

- Autogrease system
- Battery isolation switch, dual pole, lockable
- Belly plates, 8mm
- Cab guard
 - Full front guard, OPG Level 2
- Canvas seat cover
- Fire extinguisher, 1.5 kg
- Fire extinguisher, 4.5 kg
- Fire extinguisher, 9 kg
- Fuel cap vandal guard
- Jump start receptacle
- Radio, multimedia system
- Radio, UHF
- Starter circuit isolation, lockable
- Track shoes, triple grouser, 600 mm
- Track shoes, triple grouser, 700 mm
- Track shoes, triple grouser, 800 mm
- Turbo timer
- Window tinting



ATTACHMENT OPTIONS

- Bucket, general purpose, KGA 600 mm, 0.34m³
- Bucket, slope finishing, KGA 1600 mm, 0.96m³
- Ripper, KGA, single tyne
- Bucket, general purpose, KGA 900 mm, 0.60m³
- Quick hitch, KGA, dual lock, tilting
- Bucket, general purpose, KGA 1100 mm, 0.77m³
- Quick hitch, KGA, dual lock

COMING SOON

KOMATSU JMHB170H-1 Hydraulic Breaker



Model Type	JMHB170H-1	
Working weight	kg	1,190
Oil flow (min - max)	ℓ /min	100 - 150
Operating pressure (max)	MPa	125
Impact rate	bpm	800
Chisel diameter	mm	118
Acceptable back pressure	bar	10
Base machine (min - max)	Ton	15 - 25

For a complete list of available attachments, please contact your local Komatsu representative.

