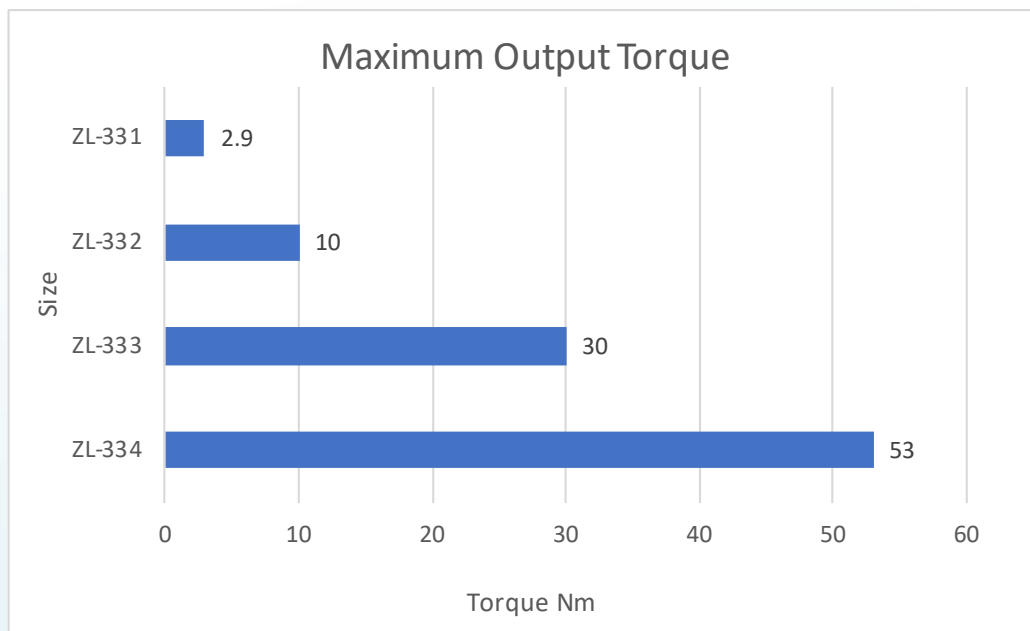


ZL BEVEL GEARBOX

The ZL series Right Angle Gearboxes are designed for light duty applications and are silent running. The one piece body is constructed in aluminium, the gears are Gleason design and the bearings are overrated as well. Backlash is 15'-30' (minutes) and all gearboxes are supplied filled with lubricant for all mounting positions. Three mounting flange types are available and depending on size 3 or 4 mounting through holes on the body. Shaft options are either 2 or 3 shaft design and with available ratios of 1, 2 or 3 to one for all sizes.



TECHNICAL CHARACTERISTICS

ZL Series right-angle drives are designed for industrial applications where rotary power must be transferred between two shafts at right-angles to each other.

ZL series units are available in 6 different sizes with 3 outputs and with 1:1 or 1:2 transmission ratios.

Housing - Single-piece aluminium alloy casting with 5 mounting points and 3 flanges.

Gears - GLEASON spiral toothed bevel gears. Units

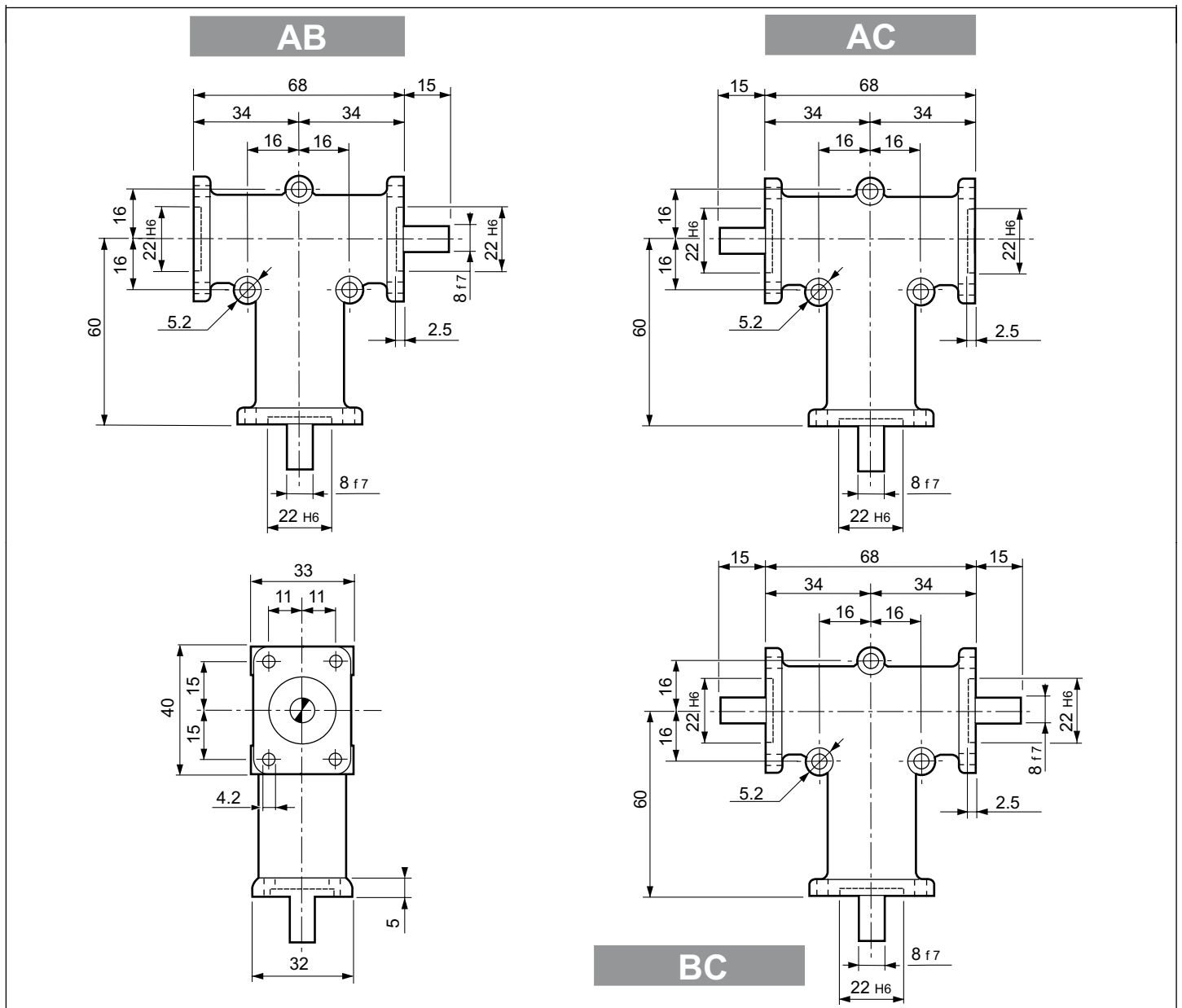
are manufactured with a backlash tolerance to ensure perfect gear meshing and silent operation.

Shafts - Coupling to external power take-off is by ISO standard driving keys (except for size 331). No special position references are needed for the Keyways on input and output shafts, which can therefore be made at any angle

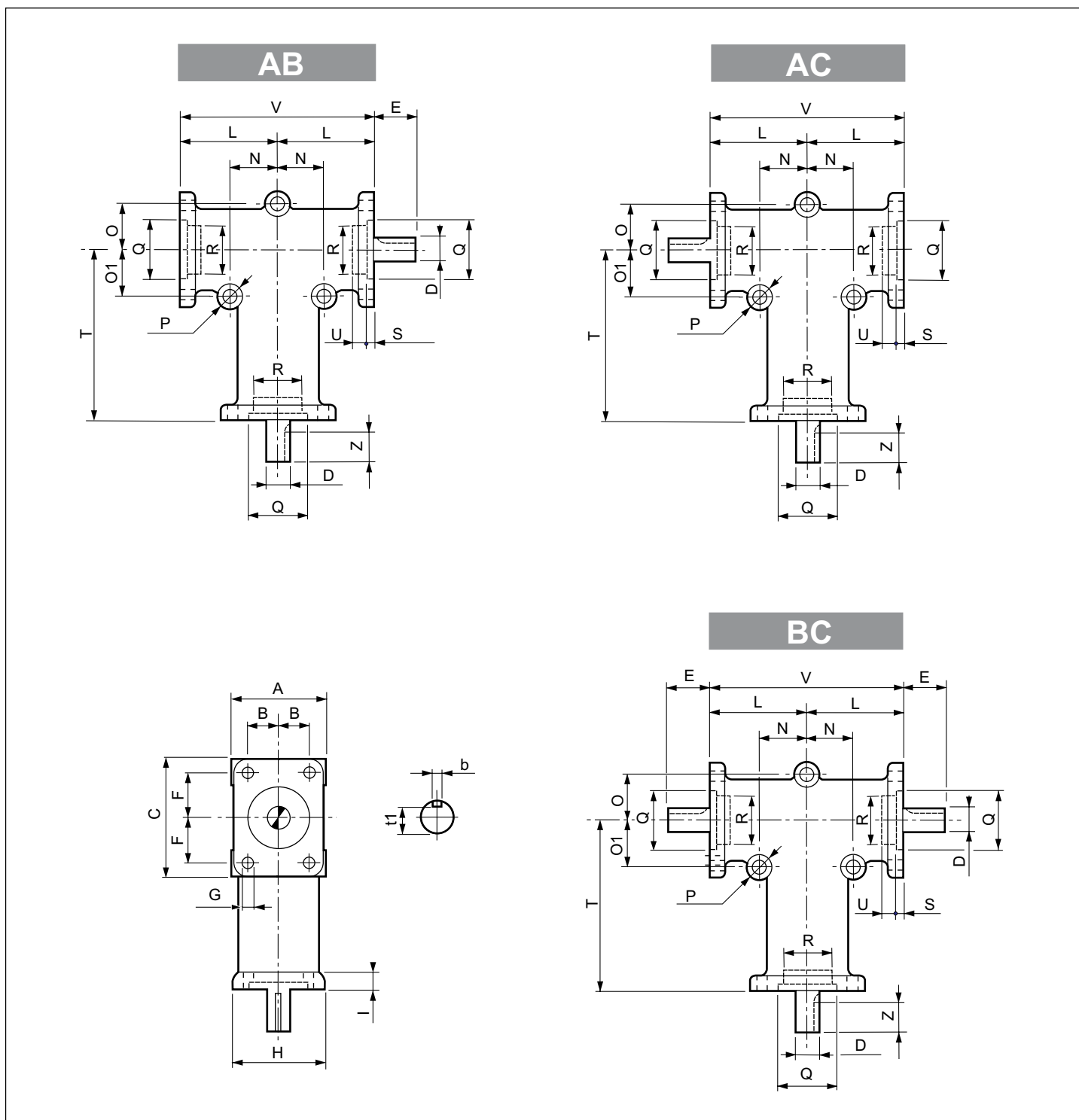
Bearings - Large bearings in deep races.

Oil Seals - Oil seal rings are fitted to all models. Special seal rings for high or low temperatures are available upon request.

ZL 331

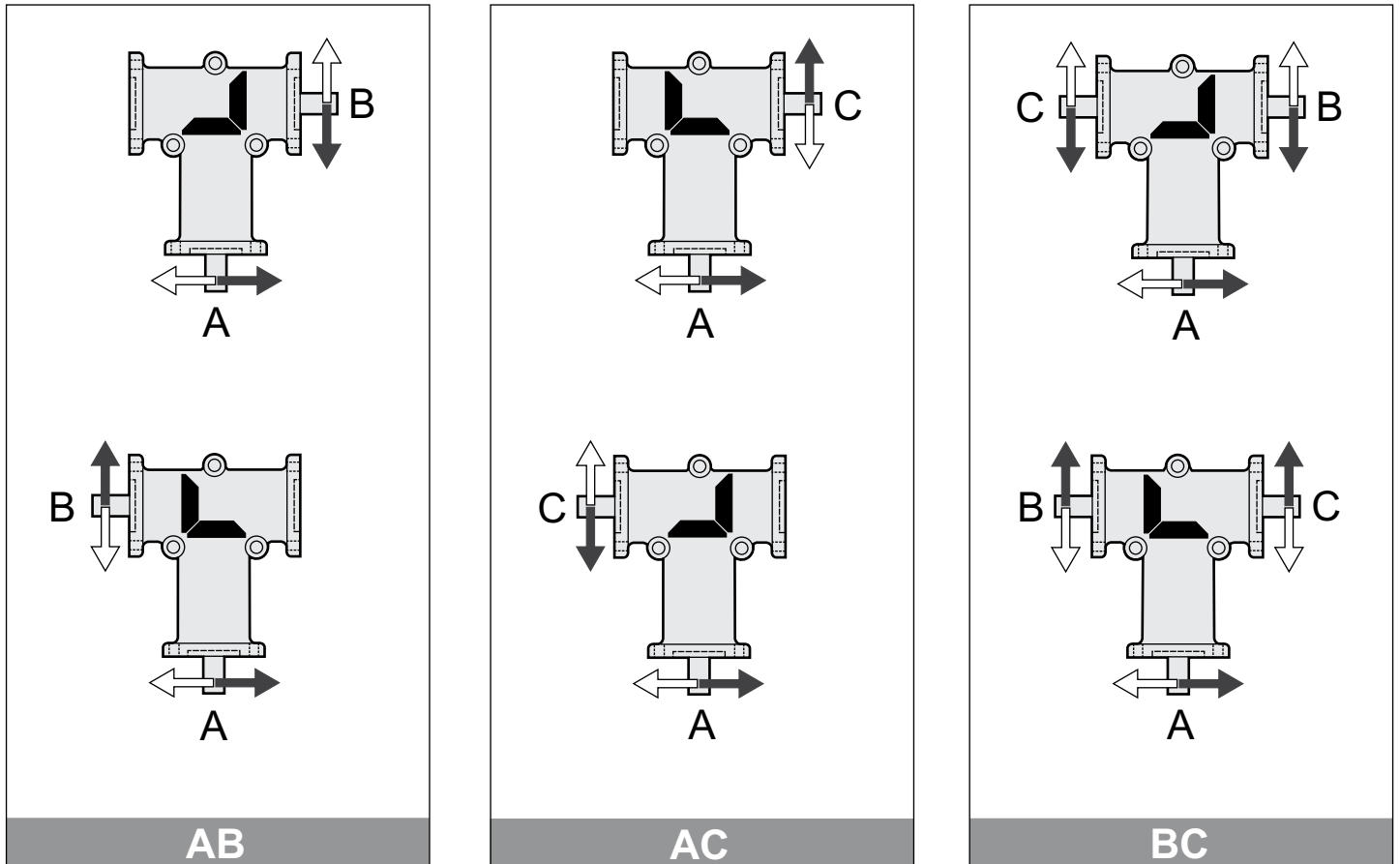


ZL 332 - ZL 333 - ZL 334



	A	B	C	D f7	b	t1	E	F	G	H	I	L	N	O	O1	P	Q H6	R H6	S	T	U	V	Z
ZL 332	52	18	66	15	5	12	35	26	6.2	50	7	52	24	24	24	8.3	35	-	5	90	-	104	27
ZL 333	76	27	96	20	6	16.5	50	38	8.3	74	8	75	38	38	38	8.3	55	52	3.5	140	5	150	40
ZL 334	100	38	98	25	8	21	70	38	10.3	98	13	80	45	45	70	10.3	65	62	3.5	150	2	160	60

SHAFT VERSIONS



A = Input shaft

B = Output shaft on ring bevel gear side

C = Output shaft on opposite side to ring bevel gear

For each version, the figures will show the shaft directions of rotation.

For each version, the same transmission is shown in two positions turned by 180°.