



# Complete Commercial Catering Equipment

ABN 63 052 427 719



where quality and performance  
go hand in hand

## HEAVY DUTY GAS GRILL

AVAILABLE AS COMBINATION GRILL / TOASTER OR GRILL ONLY



PGTM - 36

- Heavy duty frame.
- Cast iron burner.
- Pilot & flame failure to all burners.
- Large grease bin.
- Stainless steel exterior.

Available with either

- Cast iron plate.
- Mild steel plate.



PGM - 24

 P.O. Box 230, Tullamarine VIC 3043

 3 Paul Joseph Way, Truganina VIC 3029

 (03) 9334 5999

 ccce@bigpond.net.au

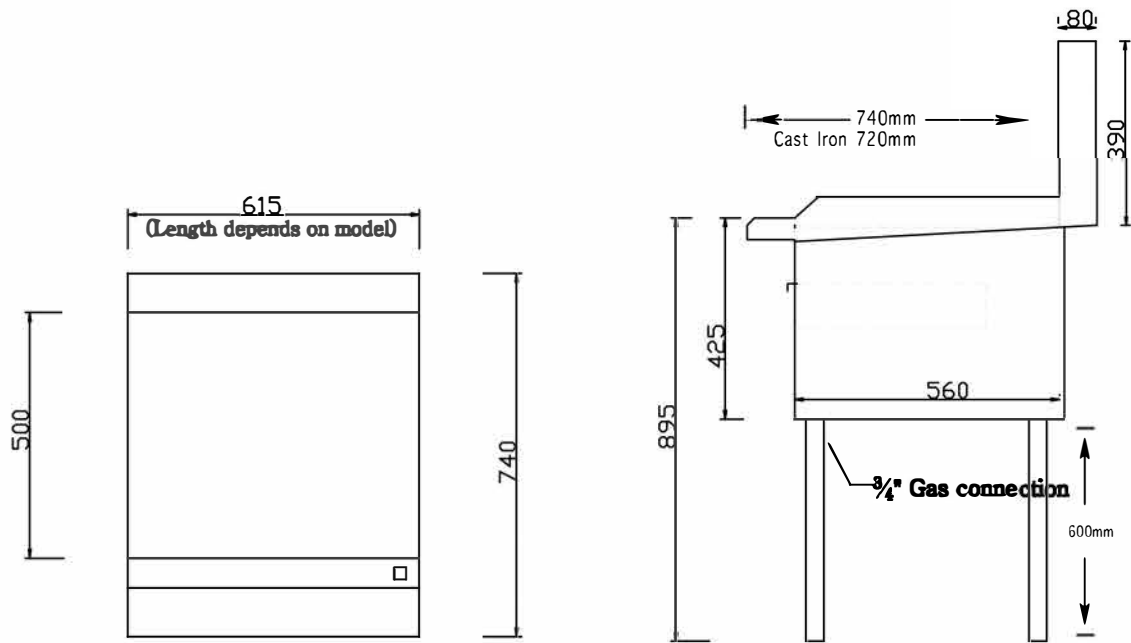
 [www.completecommercial.com.au](http://www.completecommercial.com.au)



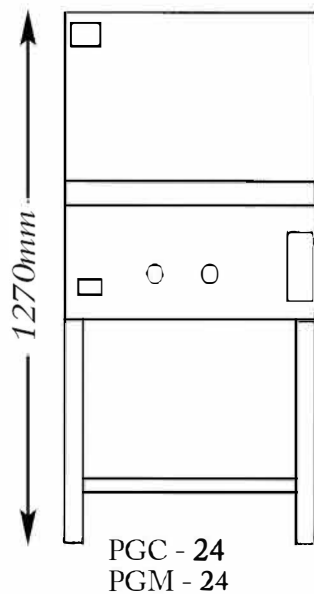
[www.completecommercial.com.au](http://www.completecommercial.com.au)

# Heavy Duty Gas Grill

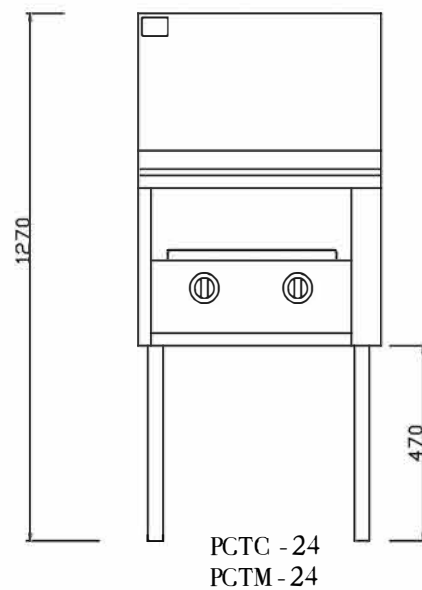
Available As Combination Grill/Toaster or Grill Only



## Griddle Plate Only



## Griller Toaster



### Grill Plate only

Model	Width	MJ/Hr
<i>Mild Steel Plate</i> / <i>Cast Iron Plate</i>		
PGM-12 / -	315mm	16
PGM-24 / PGC-24	615mm	32
PGM-30 / -	765mm	48
PGM-36 / PGC-36	915mm	48
PGM-48 / PGC-48	1215mm	80

### Combination Griller Toaster

Model	Width	Mj/Hr
<i>Mild Steel Plate</i> / <i>Cast Iron Plate</i>		
PGTM-24 / PGTC-24	615mm	32
PGTM-36 / PGTC-36	915mm	48
PGTM-48 / PGTC-48	1215mm	80

We also produce a large range of custom-made equipment for the catering industry.

- Wok Tables
- Char Grills
- Oven Ranges
- Fryers
- Boiling Burners
- Stock Pot Unit
- Combination Griller Toaster
- Stainless steel bench & Canopy

Complete Commercial Catering Equipment



[www.completecommercial.com.au](http://www.completecommercial.com.au)