

HMV SERIES



DESCRIPTION

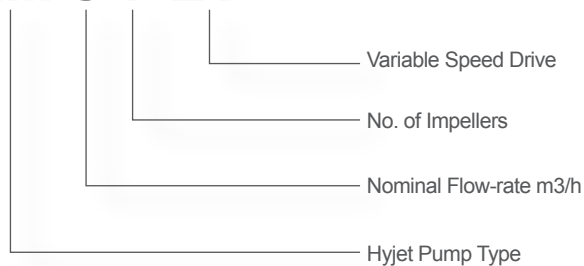
The HMV Series are variable speed drive Stainless steel multistage vertical pumps. Designed for pumping clean non-loaded fluids for pressurising systems; irrigation; drinking and glycol water; water treatment; heating and air conditioning; washing systems.

The HMV Series are at the pinnacle of quality and innovation, driven by the E1 – E318 Variable Speed Drives, efficient to run and all manufactured in Italy.

Read more about the E1 – E318 Variable Speed drives on pages 17 & 18.

IDENTIFICATION CODES

HM 5-7-E1



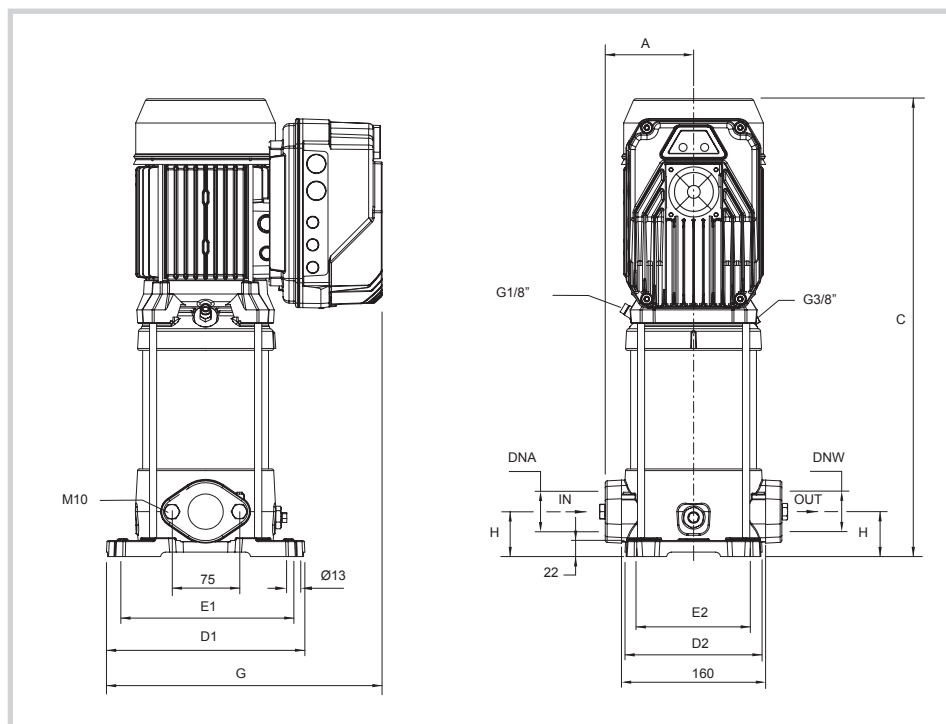
CONSTRUCTION FEATURES

- Pump Body: Stainless Steel AISI304
- Impeller: Stainless Steel AISI304
- Mechanical Seal: Ceramic / Graphite < 6 Impellers
Graphite / Silicone Carbide < 7 Impellers
- Liquid Temperature: -15 to 110c
- Max Operating Pressure: 8.5 bar < 6 impellers
14 bar < 7 impellers
- Motor: 2 Pole Induction
- w/ Thermal Protection
- Insulation: Class F
- Protection: IP44

WATER SUPPLY & PRESSURE PUMPS

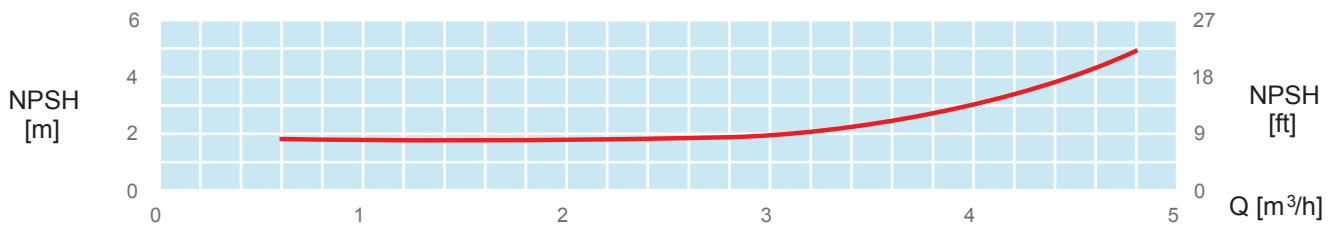
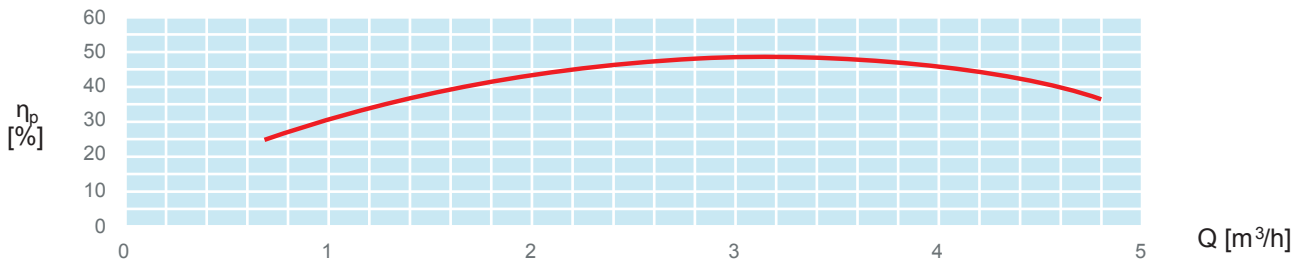
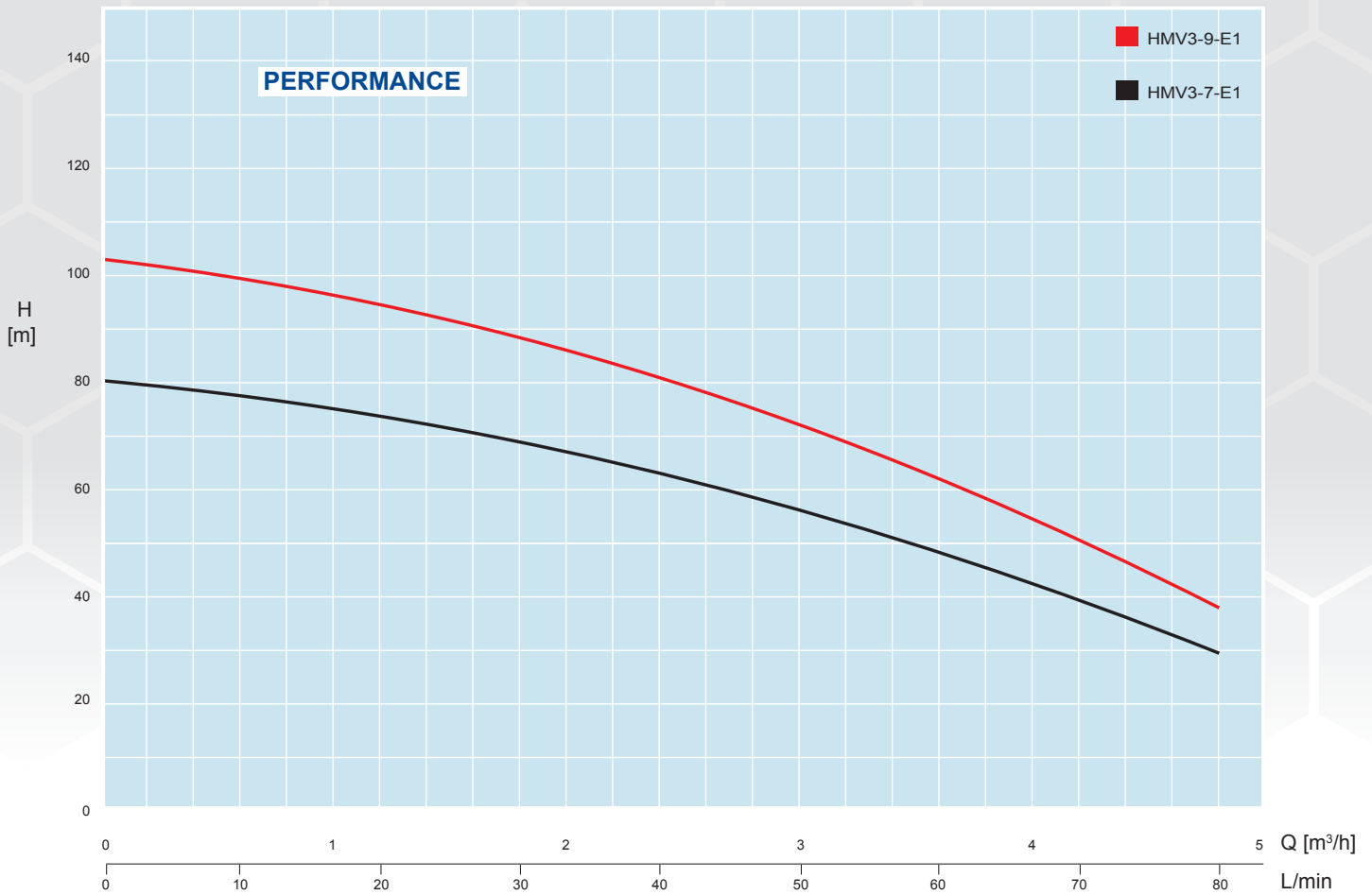
VSD Vertical Multistage Pumps

HMV3



DIMENSIONS

MODEL	DIMENSIONS (mm)									DNA	DNM
	A	A1	C	D1	D2	E1	E2	G	H		
HMV3-7-E1	98	90	735	220	150	180	100	228	50	32mm	32mm
HMV3-9-E1	98	90	783	220	150	180	100	228	50	32mm	32mm



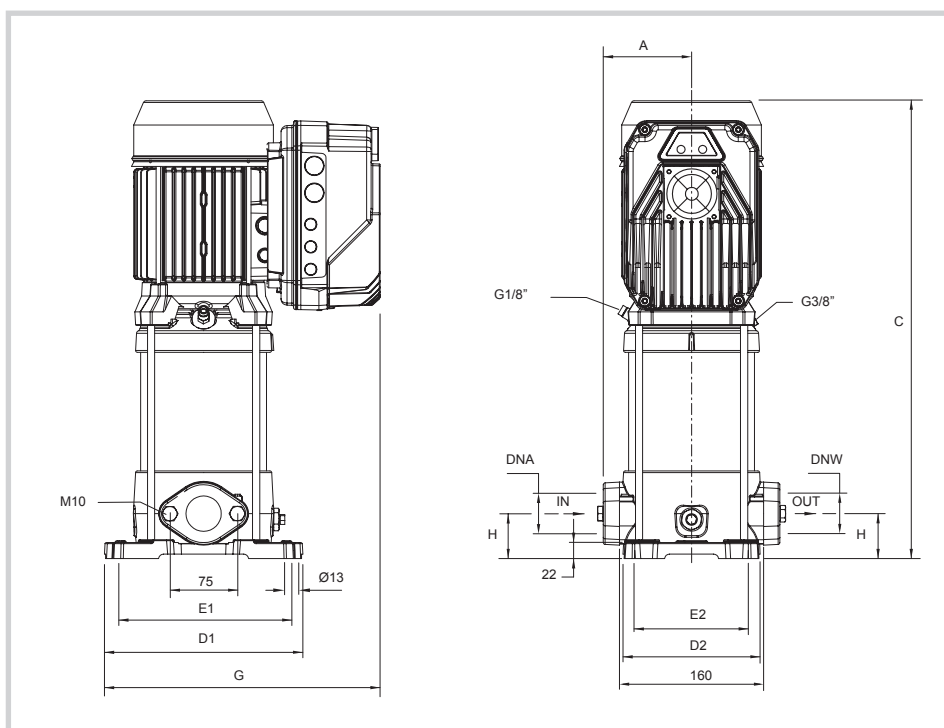
TECHNICAL DATA

Type	P2		Ampere	Q (m³/h - l/min)						
				0	10	20	30	40	60	80
1~			1~	0	10	20	30	40	60	80
			1x230V	0	10	20	30	40	60	80
	(HP)	(kW)	50 Hz	H (m)						
HMV3-7-E1	1.5	1.1	6.4	80.1	77.7	74.2	69.1	63.3	48.8	30
HMV3-9-E1	2	1.5	7.7	103	100	96.4	88.8	81.4	62.7	53.3

WATER SUPPLY & PRESSURE PUMPS

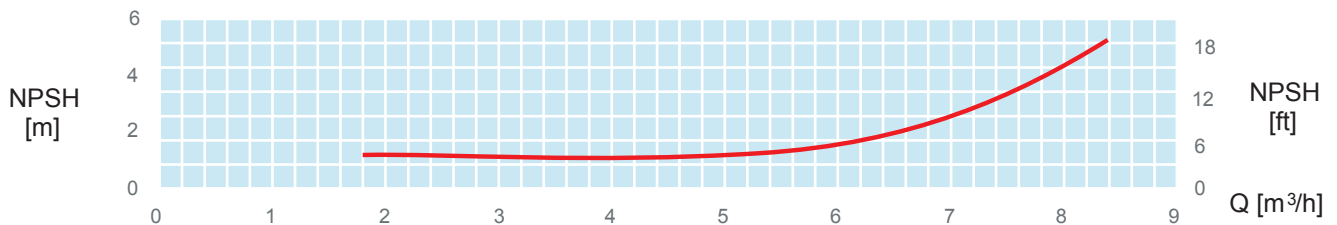
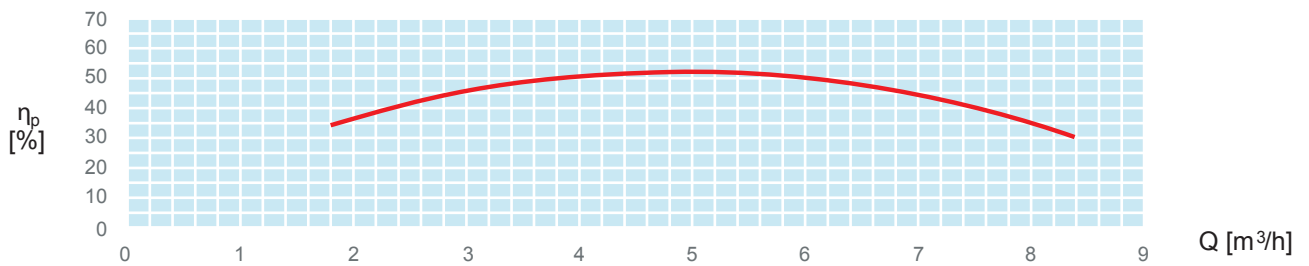
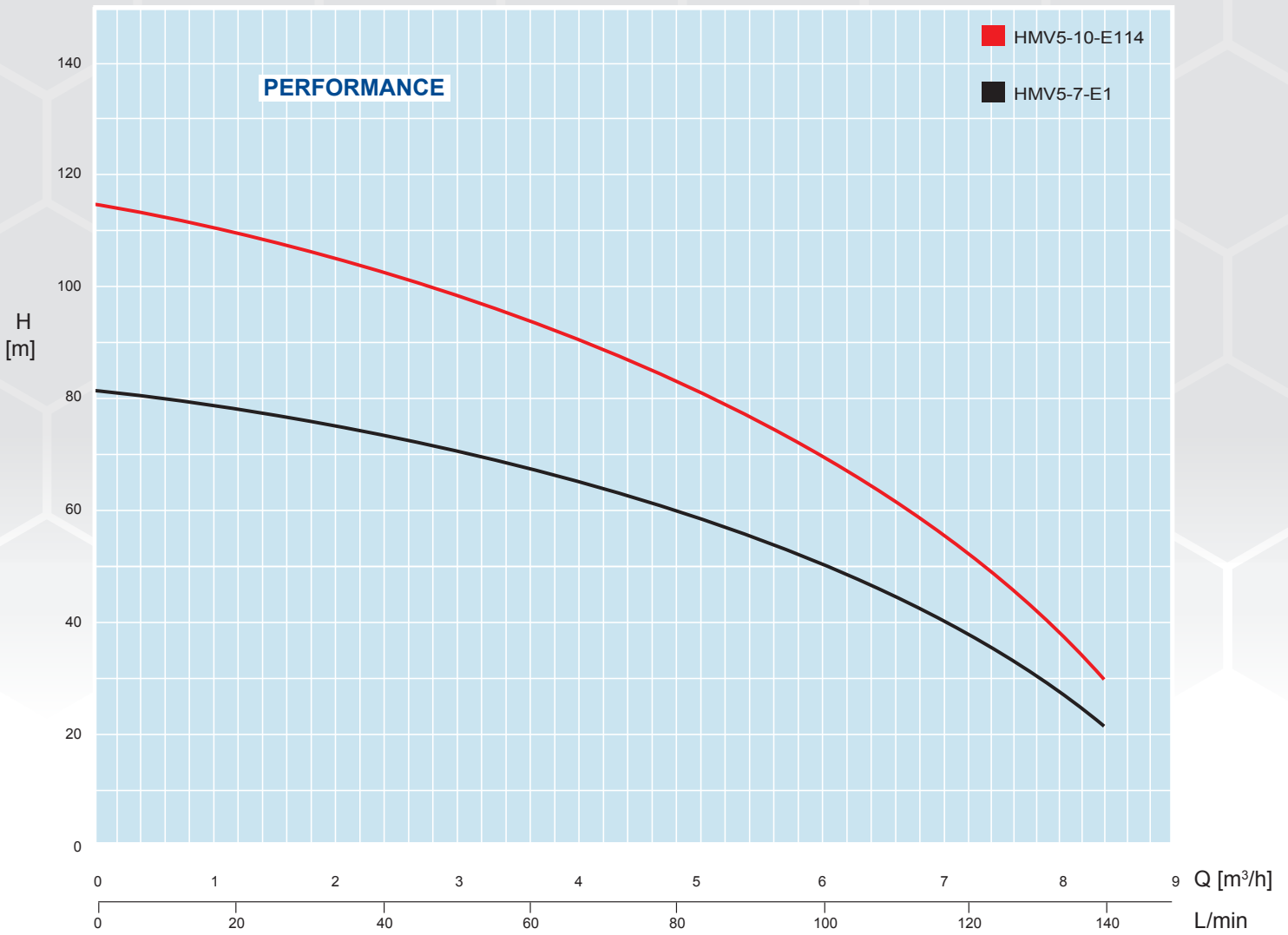
VSD Vertical Multistage Pumps

HMV-5



DIMENSIONS

MODEL	DIMENSIONS (mm)									DNA	DNM
	A	A1	C	D1	D2	E1	E2	G	H		
HMV5-7-E1	98	90	735	220	150	180	100	306	50	32mm	32mm
HMV5-10-E114	98	90	852	220	150	180	100	236	50	32mm	32mm



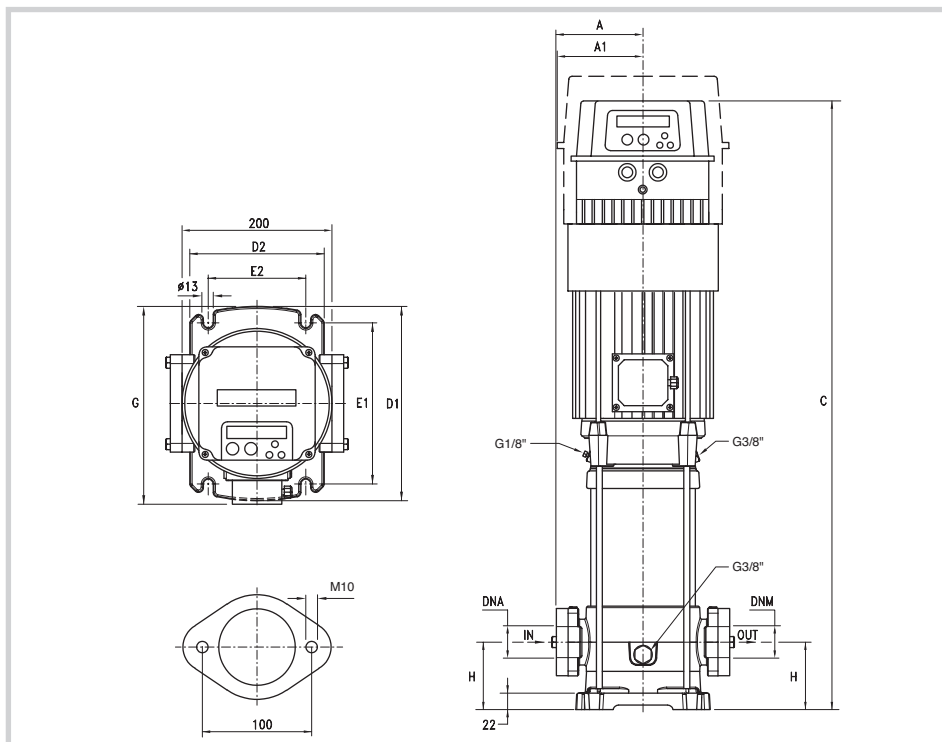
TECHNICAL DATA

MODEL	P2		AMPS	Q (l/min)							
				0	30	40	60	80	100	120	140
	(HP)	(kW)	1x230V	H (m)							
HMV5-7-E1	2	1.5	8.7	81	75.5	73	67.4	60.3	51	38.6	21
HMV5-10-E114	3	2.2	11.9	114.2	106.4	102.9	95.2	85.2	72.0	53.3	30

WATER SUPPLY & PRESSURE PUMPS

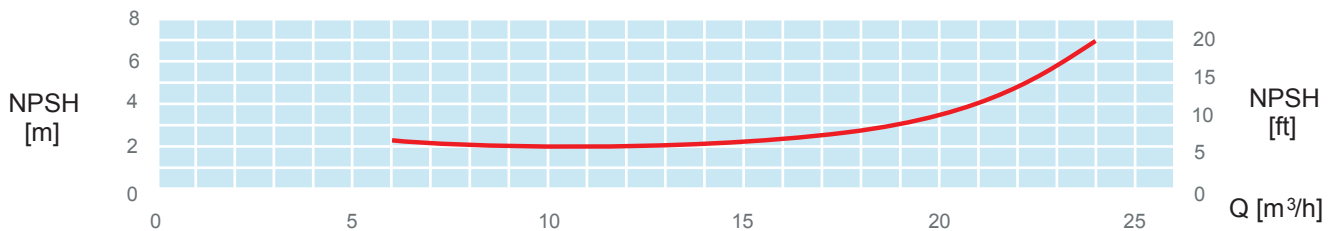
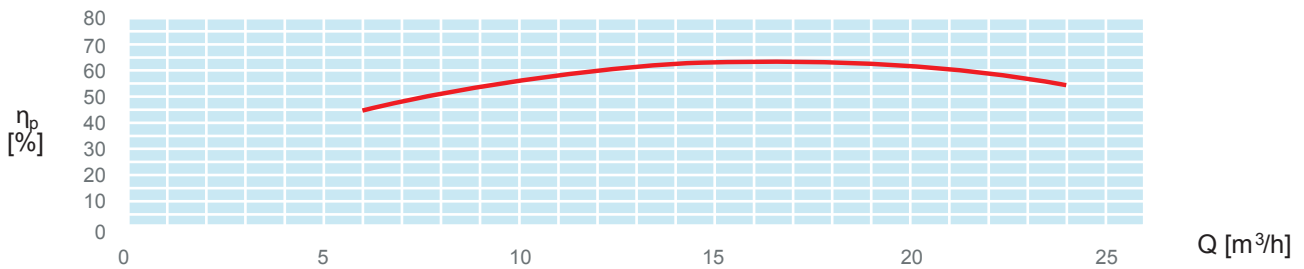
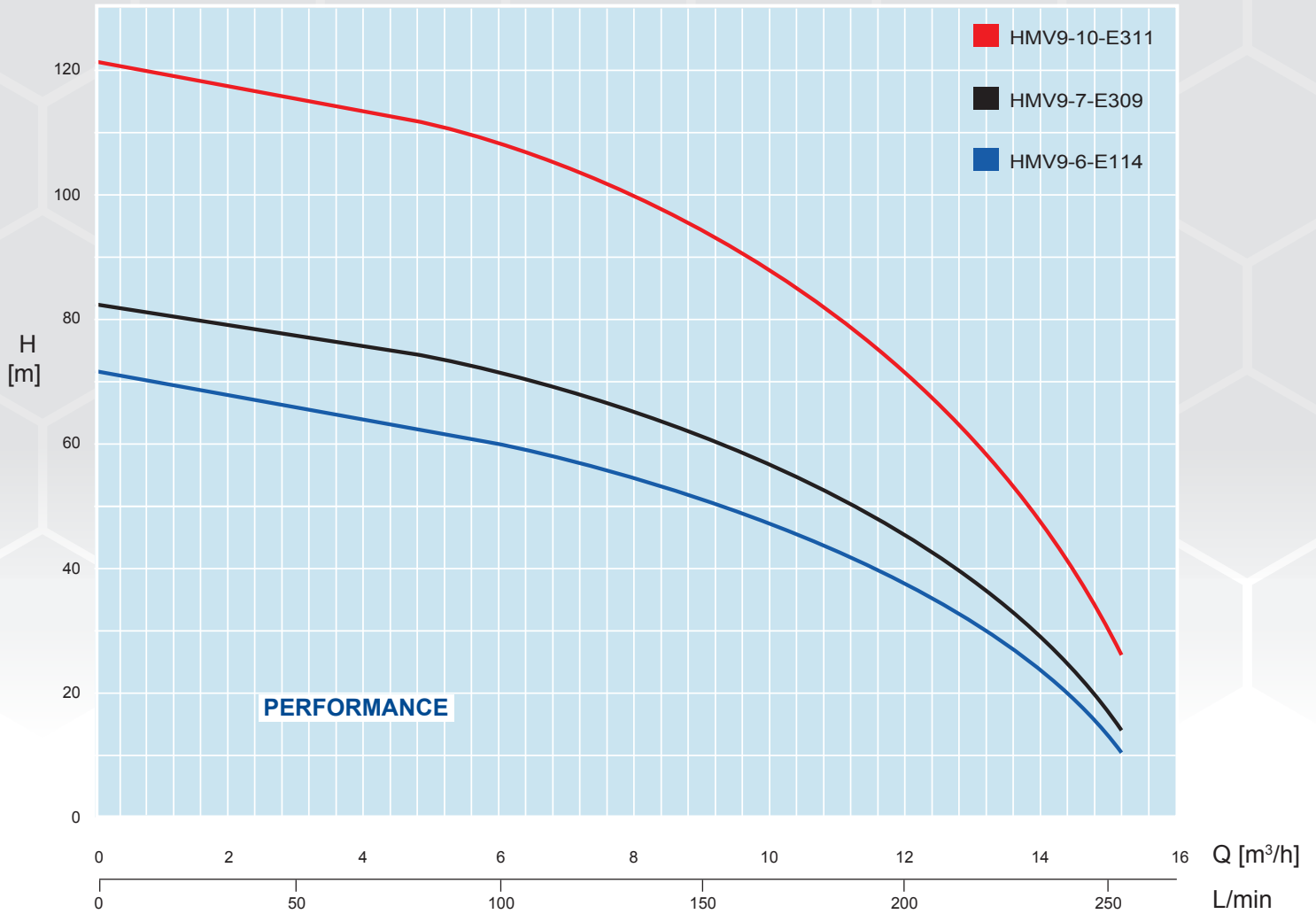
VSD Vertical Multistage Pumps

HMV-9



DIMENSIONS

MODEL	DIMENSIONS (mm)									DNA	DNM
	A	A1	C	D1	D2	E1	E2	G	H		
HMV9-6-E114	118	90	821	260	180	215	130	256	80	40mm	40mm
HMV9-7-E309	118	90	856	260	180	215	130	251	80	40mm	40mm
HMV9-10-E311	118	90	976	260	180	215	130	271	80	40mm	40mm



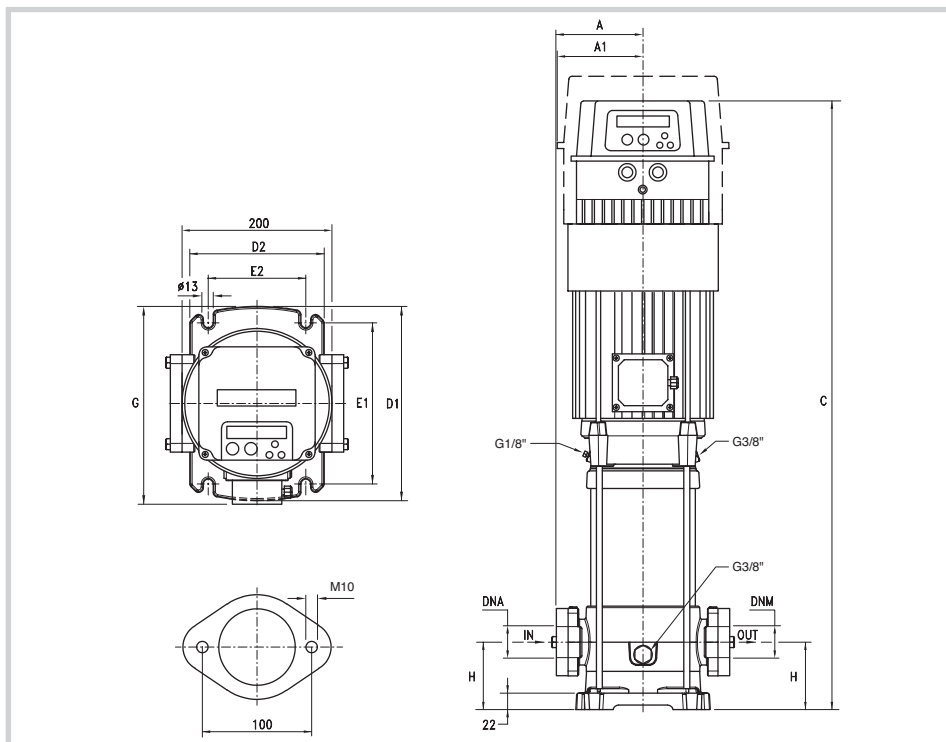
TECHNICAL DATA

MODEL	P2		AMPS		Q (l/min)												
					0	60	80	100	120	140	160	180	200	220	240	260	
	(HP)	(kW)	230V	415V	H (m)												
HMV9-6-E114	3	2.2	12.5		71.8	64.9	63	59.9	57	53.7	49.7	44.3	37	29.5	20.8	11.1	
HMV9-7-E309	4	3		5.8	83.3	76.7	74.9	71.8	68.3	64.6	59.9	53.5	44.8	35.9	25.7	14.3	
HMV9-10-E311	5.5	4		8.3	122	112.8	110.5	106.5	102.2	97.3	91.6	82.8	70.7	57.1	42.3	26.5	

WATER SUPPLY & PRESSURE PUMPS

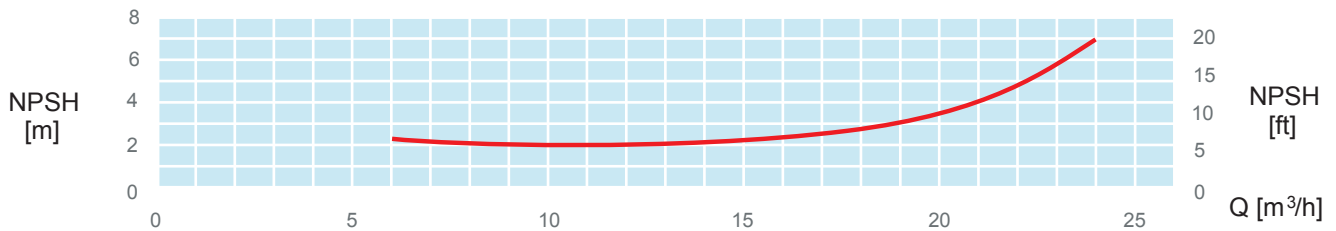
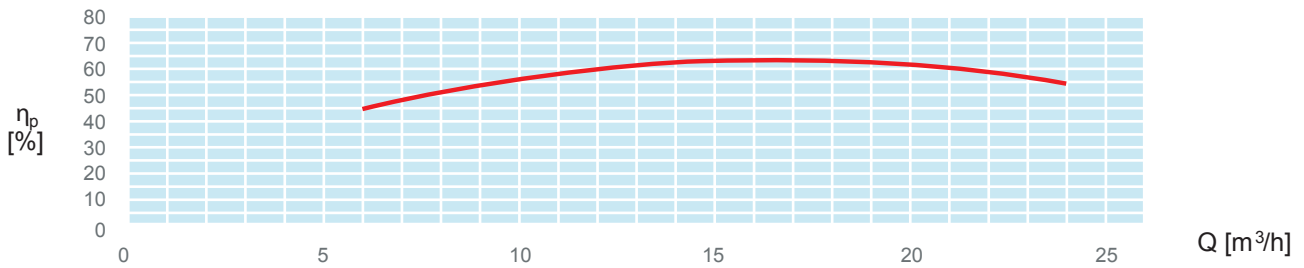
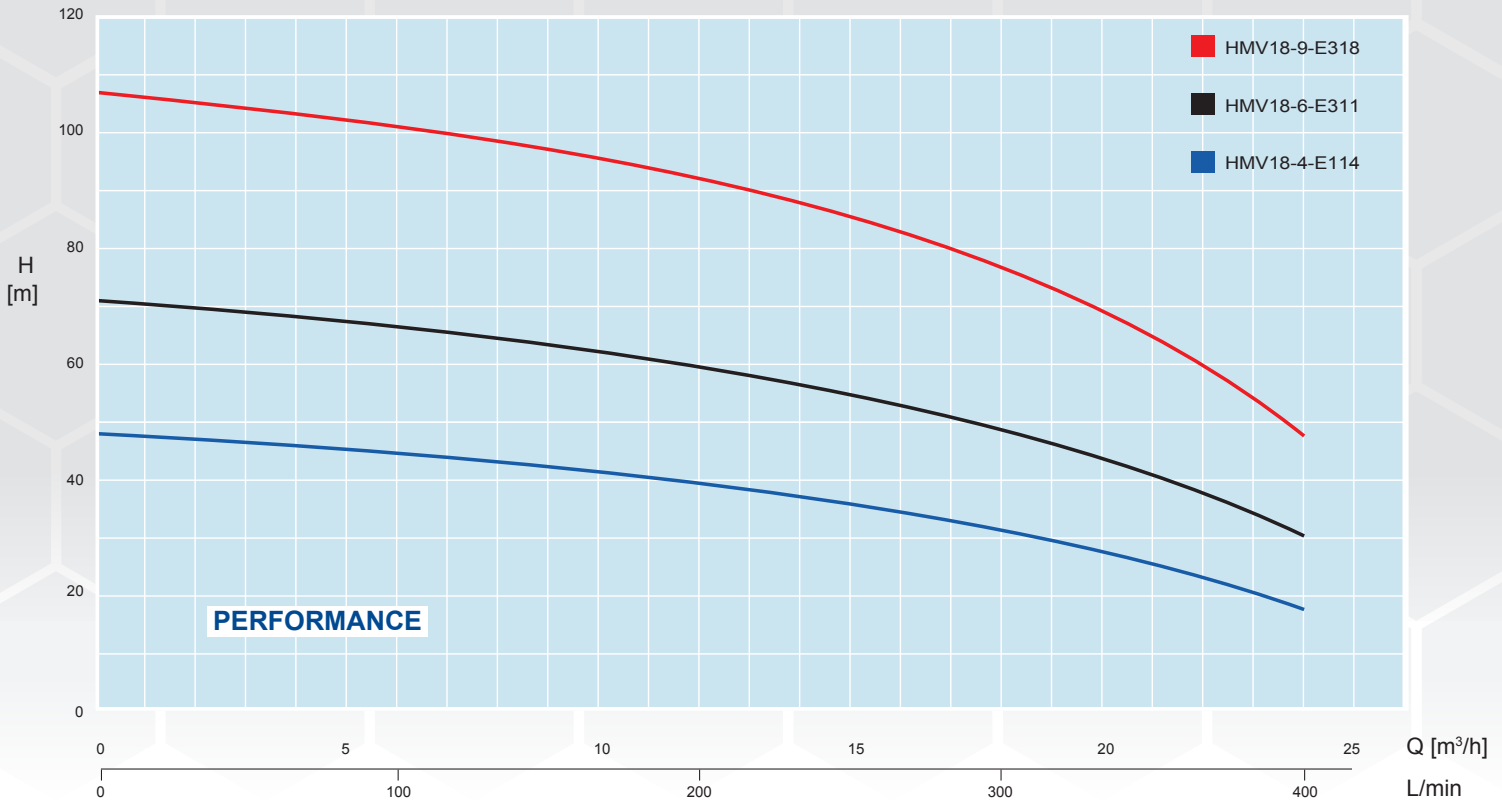
VSD Vertical Multistage Pumps

HMV-18



DIMENSIONS

MODEL	DIMENSIONS (mm)									DNA	DNM
	A	A1	C	D1	D2	E1	E2	G	H		
HMV18-4-E114	118	90	803	260	180	215	130	257	90	50mm	50mm
HMV18-6-E311	118	90	911	260	180	215	130	251	90	50mm	50mm
HMV18-9-E318	118	90	1070	260	180	215	130	280	90	50mm	50mm



TECHNICAL DATA

MODEL	P2			Q (l/min)																
				0	100	120	140	160	180	200	220	240	260	280	300	320	340	360	380	400
	(kW)			H (m)																
HMV18-4-E114	4	3	5.7	47.9	45	44	42.8	41.7	40.5	39.1	37.8	36.6	35.2	33.9	32.2	30.2	28	25.1	22.1	18.1
HMV18-6-E311	5.5	4	8.7	70.5	66.4	65	63.6	62	60.5	58.9	57.2	55.4	53.5	51.5	49.3	46.3	43.3	39.4	34.9	30.4
HMV18-9-E318	9	6.6	12.7	106.4	101.8	100.4	98.6	96.1	93.5	91	88.2	85.5	82.7	79.7	76.2	72.1	66.9	60.8	53.7	46.1