

DELIGHT13 | Delight Gelato Display - 13 Tub

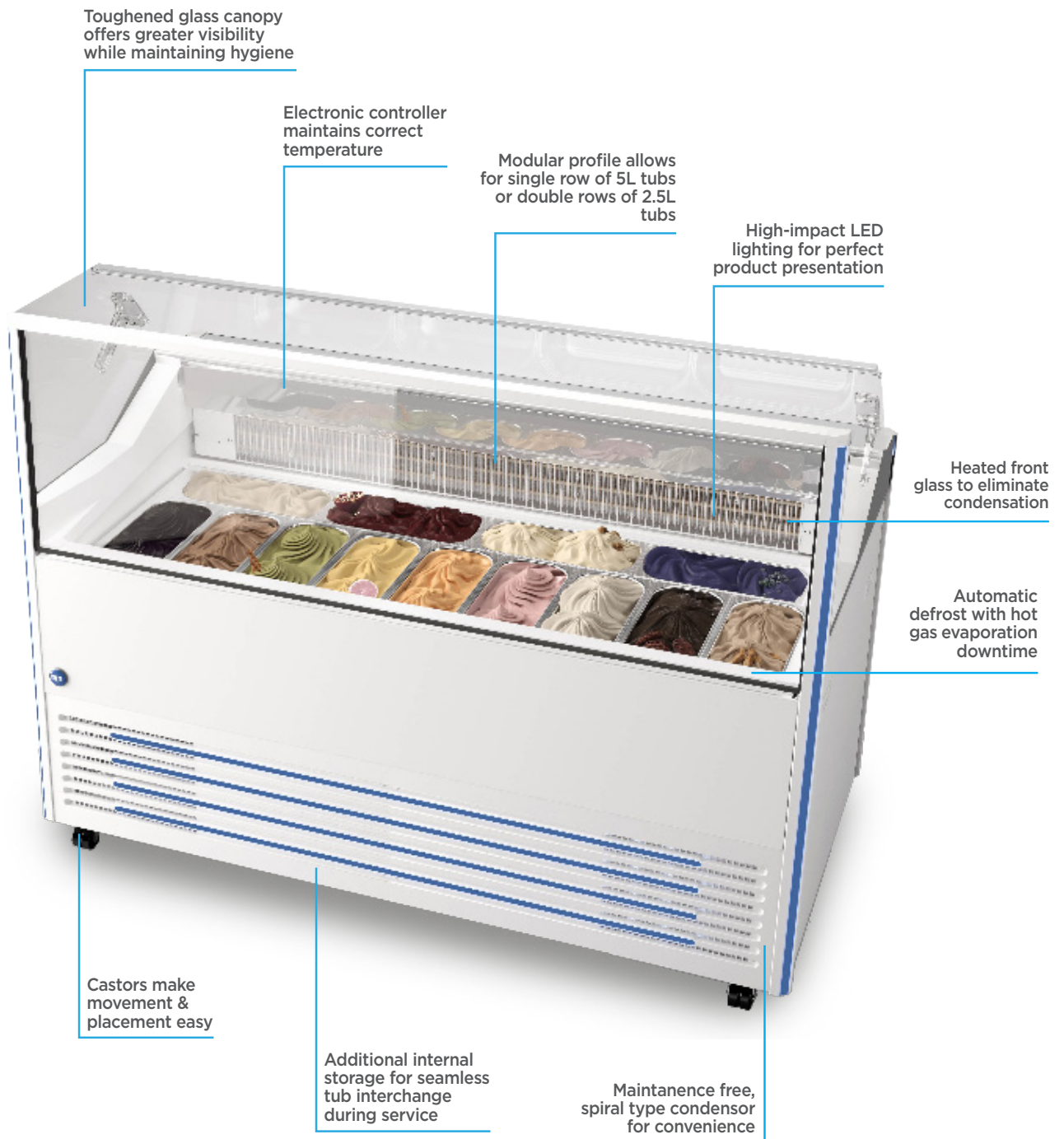
Gelato Displays

**INDUSTRY
KITCHENS**

www.industrykitchens.com.au 1800 611 058

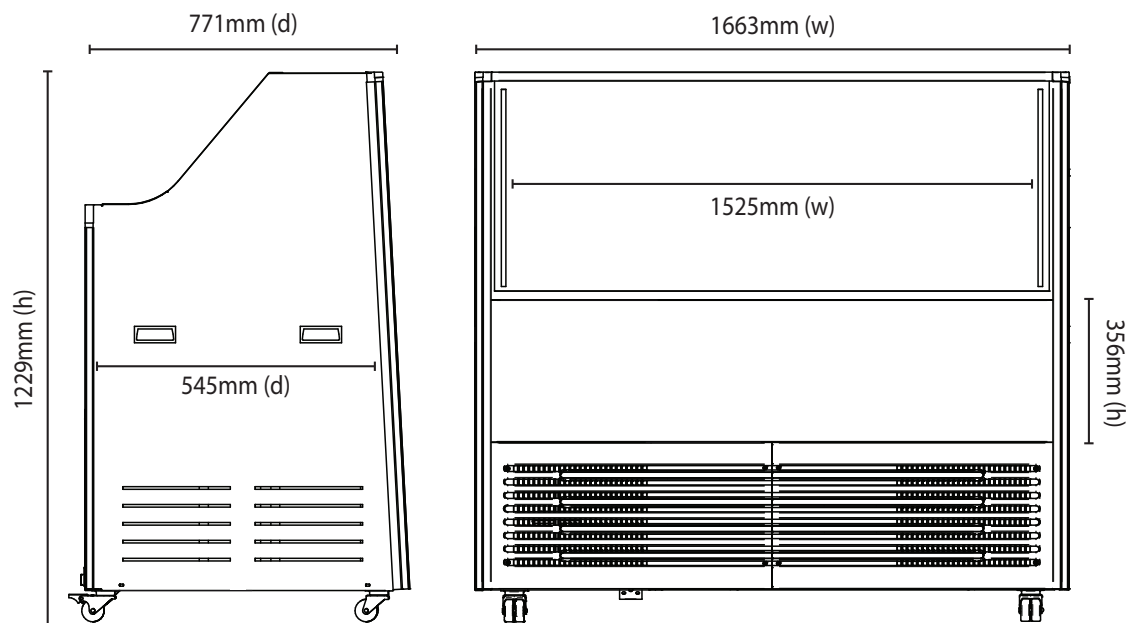
DELIGHT13

**DELIGHT GELATO
DISPLAY - 13 TUB**

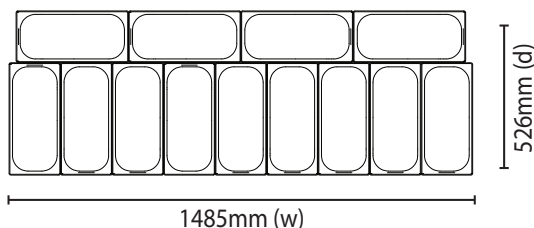


DELIGHT13 | Delight Gelato Display - 13 Tub

Gelato Displays



Tub Support Framework



SPECIFICATIONS

Part Number	3736228
Capacity	195L + (148L storage)
Temp. Range (°C)	-15 to -18°C
Max. Ambient Temp. (°C)	35°C
Refrigeration Power	N/A
Energy Consumption	12kWh/24h
Current	3.6A
Gross Weight	184kg
Packaged Dimensions	1750 x 990 x 1336 mm
Refrigerant	R290
Plug Supplied	Yes, 1 x 10A
Plug Location	Bottom Right Side
Main Light	LED
No. of lids	1, Plexy
Canopy	Yes
Door Lock	No
Tubs	13

Rear Storage	Yes
Tubs in Storage	14
Door Swing Dimensions	N/A
Total Height with Door Open	N/A
Automatic Defrost System	Yes
Colour	White with blue trim
Castors	Yes
Warranty	Yes, 1 year parts & warranty
Warranty Service	Bromic Extra Care

DIMENSIONS

	External (mm)
Width	1663
Depth	771
Height	1229
	Internal (mm)
Width	1525
Depth	545
Height	356

BROMIC PTY Ltd reserve the right to alter specifications without notice.