

EPR4

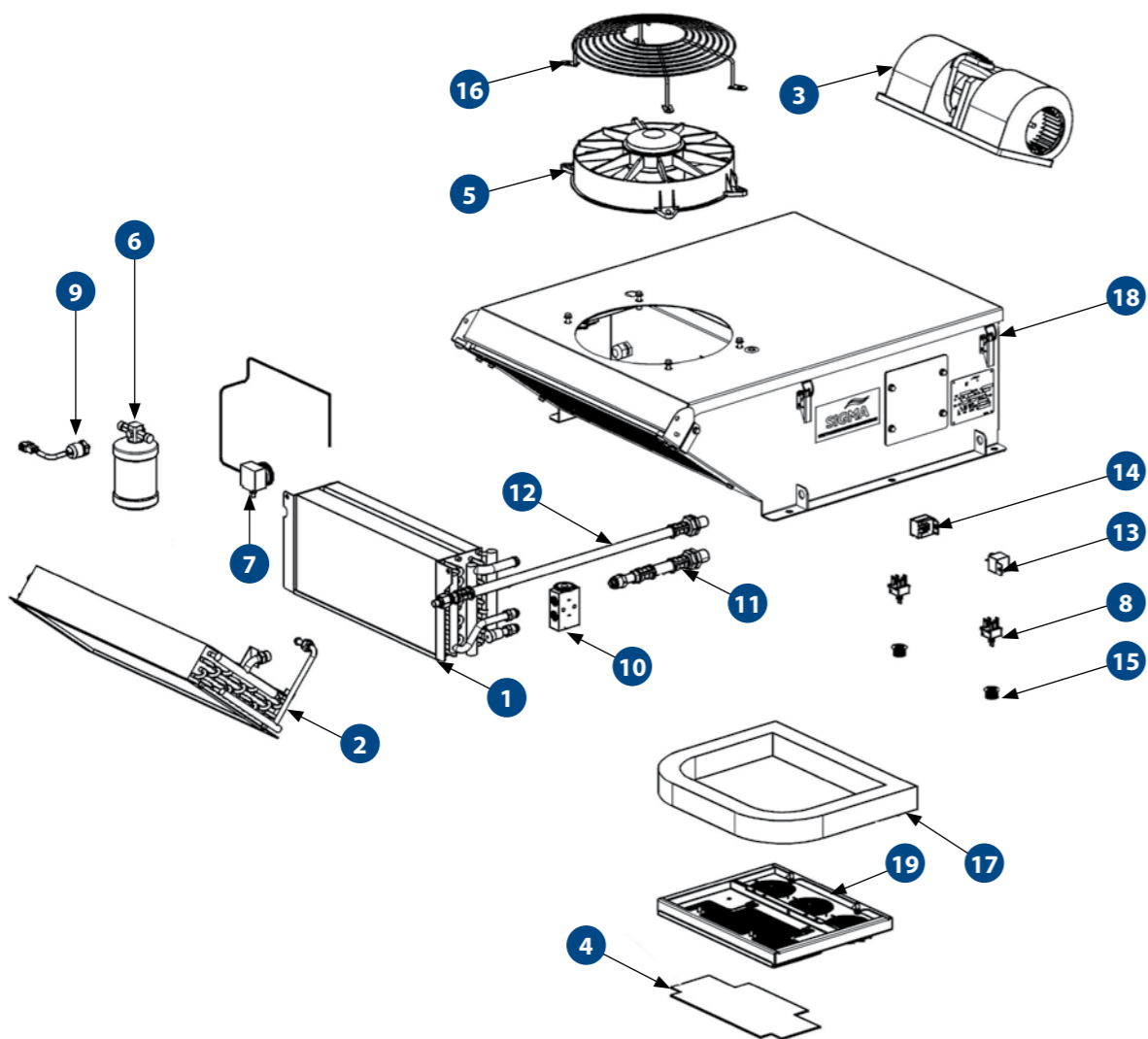
ROOFTOP PACKAGED HVAC UNIT

EPR4AX1

Rooftop Packaged HVAC 4.5kW 12V

EPR4BX1

Rooftop Packaged HVAC 4.5kW 24V



SPARE PARTS

PART NO.	DESCRIPTION	QTY
1	H0032385 EVAPORATOR HEATER COIL	2
2	H0002358 CONDENSER COIL	2
3	AU400050 BLOWER ASSEMBLY 3SPEED 12V (EPR4AX1) H0088451 BLOWER ASSEMBLY 3SPEED 24V (EPR4BX1)	1 1
4	H0044857 PLENUM RETURN AIR FILTER MEDIA	1
5	H0097521 CONDENSER FAN ASSEMBLY 280MM 12V (EPR4AX1) H0088425 CONDENSER FAN ASSEMBLY 280MM 24V (EPR4BX1)	1 2
6	AU531422 RECEIVER DRIER 134A	2
7	UE016 THERMOSTAT DEICE STUD	2
8	UE335 SWITCH 3-SPEED C/W NUT	2
9	UE064 HIGH / LOW PRESSURE SWITCH	1
10	H0092214 TX VALVE BLK 1.5T R134A	1
11	H0052679 FLEX HOSE #10 MOR-FTG B/HD & STR	1
12	H0052678 FLEX HOSE #8 MOR-FTG B/HD & STR	1
13	AU661482 RELAY 30A 12V (EPR4AX1) AU661483 RELAY 20A 24V (EPR4BX1)	3 1
14	ERR023 RELAY BASE 5 PIN (PANEL MOUNT) AX1 RELAY BASE 5 PIN (PANEL MOUNT) BX1	3 1
15	UC451 KNOB 1/4 BLACK PLASTIC 21MM DIAMETER	2
16	H0047048 CONDENSER FAN GUARD	1
17	H0042481 EPR4 ROOF SEAL	1
18	UC048 TOGGLE	4
19	AU821704 DIFFUSER ROUND 92MM PVC	1
	H0283545 DIODE FOR EPR4AX1	1

COMPANION ITEMS

PART NO.	DESCRIPTION
H0038939	Heater Kit (24V)
H0097524	Heater Kit (12V)
EB9P4X	Pressuriser (24V)
HDC150	Hydraulic Compressor
AU2961001	Electric Compressor (24V)
AU270306E	Engine Driven Compressor
AU270307E	Engine Driven Compressor
AU270311E	Engine Driven Compressor

SPECIFICATIONS

	METRIC	IMPERIAL
Cooling Capacity	4.5 kW	15354 BTU
Heating Capacity (with Optional Kit)	4.0 kW	13648 BTU
Fan Speeds	3	3
Air Flow	150 l/s	318 CFM
Power Supply	12V / 24V	12V / 24V
Current Draw	40 A / 20 A	40 A / 20 A
Refrigerant	R134a	R134a
Maximum Ambient Temperature	46°C	115°F
Weight (nominal)	47 kgs	103.4 lbs
Technical Manual Reference	HD0019477	HD0019477
Dimension (L X W X H)	804mm X 650mm X 364mm	31.7in X 25.6in X 14.3in

MAINTENANCE

MONTHLY / 300 HOURS

H0044857 PLENUM RETURN AIR FILTER MEDIA

ANNUAL / 3,600 HOURS

AU400050 BLOWER ASSEMBLY 3SPEED 12V (EPR4AX1)

H0088451 BLOWER ASSEMBLY 3SPEED 24V (EPR4BX1)

H0097521 CONDENSER FAN ASSEMBLY 280MM 12V (EPR4AX1)

H0088425 CONDENSER FAN ASSEMBLY 280MM 24V (EPR4BX1)

AU531422 RECEIVER DRIER 134A

3 YEARS / 10,800 HOURS

UE016 THERMOSTAT DEICE STUD

UE335 SWITCH 3-SPEED C/W NUT

UE064 HIGH / LOW PRESSURE SWITCH

H0092214 THERMAL EXPANSION VALVE BLOCK 1.5T R134a

H0002358 CONDENSER COIL

H0032385 EVAPORATOR HEATER COIL

Please contact SIGMA for more information including details on an overhaul scope and interval. Maintenance periods and scope are dependent on application and site conditions, and are to be used as a guide.