

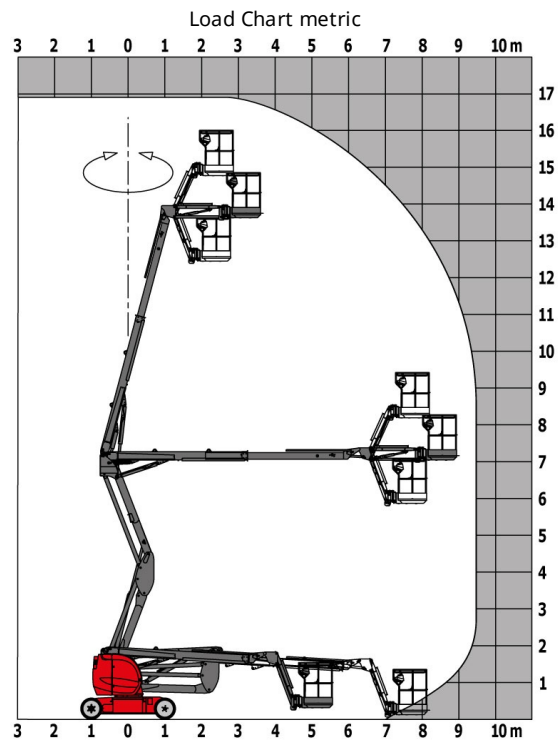
Technical sheet :

170 AETJ-L BI

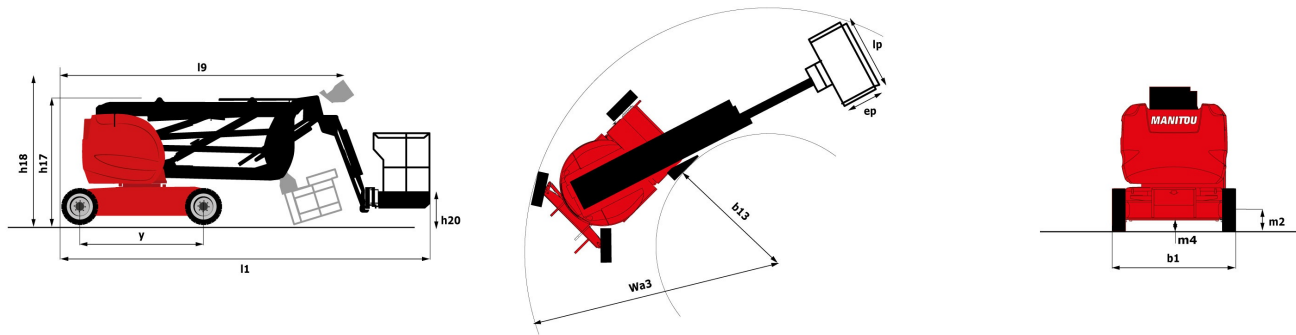


Capacities		Metric
Working height	h21	17.03 m
Platform height	h7	15.03 m
Max. outreach	r1	9.43 m
Overhang	h31	7.27 m
Pendular arm rotation (top / bottom)		+62 ° / -59 °
Platform capacity	Q	230 kg
Turret rotation		355 °
Platform rotation (right / left)		70 ° / 70 °
Number of people (inside / outside)		2 / 2
Weight and dimensions		
Platform weight*		7435 kg
Platform dimensions (length x width)	lp / ep	1.2 m x 0.92 m
Overall width	b1	1.91 m
Overall length	l1	6.99 m
Overall height	h17	2.1 m
Overall length (stowed)	l9	5.27 m
Overall height (stowed)	h18	2.13 m
Floor height (access)	h20	0.4 m
Jib length	l13	1.26 m
Counterweight offset (turret at 90°)	a7	0 m
Internal turning radius (over tyres)	b13	1.97 m
External turning radius	Wa3	4.27 m
Tailswing		0 m
Ground clearance at centre of wheelbase	m2	0.185 m
Wheelbase	y	2.2 m
Performances		
Drive speed - stowed		6 km/h
Drive speed - raised		0.6 km/h
Gradeability		21 %
Permissible leveling		5 °
Wheels		
Tyres type		Foam Filled Non Marking
Dimensions of front wheels / rear wheels		0,65x0,25m - 0,65x0,25m
Drive wheels (front / rear)		0 / 2
Steering wheels (front / rear)		2 / 0
Braking wheels (front / rear)		0 / 2
Engine/Battery		
Electric engine power rating		2 x 4.5 kW
Electric Pump		3.7 kW
I.C. Engine power rating / Power (kW)		12 Hp / 9.2 kW
Battery / Batteries capacity		48 V / 300 Ah
Integrated charger (V / Ah)		48 V / 45 Ah
Miscellaneous		
Ground Pressure		14.48 daN/cm ²
Hydraulic Pressure		200 Bar
Hydraulic tank capacity		12 l
Fuel tank		30 l
Vibration on hands/arms		< 2.5 m/s
Standards compliance		
This machine is in compliance with:		European directives: 2006/42/EC- Machinery (revised EN280:2013) - 2004/108/EC (EMC) - 2006/95/EC (Low voltage)

Load chart



Dimensional drawing



Equipment

Standard

- 230V Predisposition
- All-terrain, non-marking, foam-filled tyres
- Audible alarm and illuminated indicator lamp (leveling, overload, lowering)
- Battery charge indicator lamp
- CAN bus technology
- Easy Manager
- Emergency stop button in platform and on frame
- Horn in the platform
- Hour meter
- Integrated diagnostic assistance
- Manual emergency lowering
- Multi-voltage integrated charger
- Negative-type braking on rear wheels
- Pendular arm
- Platform with open-work floor
- Proportional controls
- Protective cover for control panel
- Slings and securing rings
- Tool box in platform
- Traction battery
- Travel possible at maximum height

Optional

- 110 or 230V plug with differential circuit breaker
- Air predisposition
- Beep on every movement
- Beep upon travel
- Biodegradable oil
- Centralized recharging of battery
- Extreme cold oil
- Flashing Light
- Lockable fuel cap
- Personalized paintwork
- SMS : Safe Man System
- Safety harness
- Water predisposition
- Working headlight in platform



Siège Social
430 rue de l'Aubinière - 44150 Ancenis Cedex - France
Tel: +33(0)2 40 09 10 11 - Fax: +33 (0)2 40 09 10 97
www.manitou.com



This brochure describes versions and configuration options for Manitou products which may be fitted with different equipment. The equipment described in this brochure may be standard, optional or not available depending on version. Manitou reserves the right to change the specifications shown and described at any time and without prior warning. The manufacturer is not liable for the specifications given. For more information, contact your Manitou dealer. Non-contractual document. Product descriptions may differ from actual products. List of specifications is not comprehensive. The logos and visual identity of the company are the property of Manitou and may not be used without authorisation. All rights reserved. The photos and diagrams contained in this brochure are provided for information only.

MANITOU BF SA - Limited company with board of directors - Share capital: 39,668,399 euros - 857 802 508
RCS Nantes