



# PROVEN PERFORMER

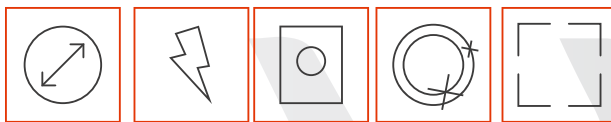
## Compact Commercial Laundry

LWNE52 (top loading washer)

LDEE7R (electric dryer), LDGE7R (gas dryer)

### Top loading washer features

- Extra large capacity stainless steel tub keeps clothes looking their best
- Large lid opening for easy loading
- Advanced suspension system eliminates the possibility of an unbalanced load
- Commercial all metal transmission offers highest quality and durability
- Digital display with countdown
- Multi-cycle controls provide washing options to fit your laundry needs



LARGE DOOR  
OPENING

LOW ENERGY  
CONSUMPTION

ROBUST  
DESIGN

STAINLESS STEEL  
WASHER DRUM

COMPACT  
DESIGN

### Controls

#### Top loading washer Electronic Control

The Electronic Control keeps users informed throughout the wash process with cycle status lights and a digital cycle countdown. Users also have the flexibility to control temperature, load type, and soil levels, as well as the option of a pre-wash and/or additional rinse to achieve high levels of efficiency.

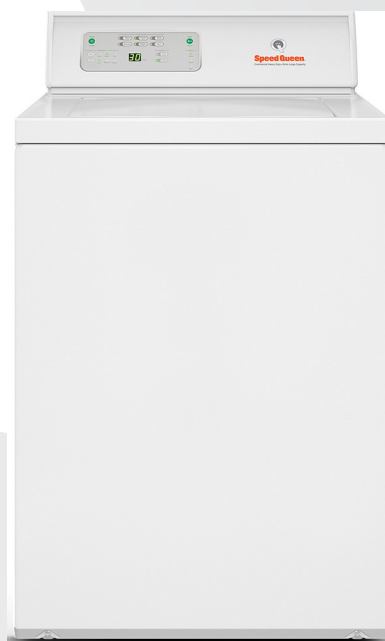
### Single dryer features

- Durable galvanized steel cylinder with an extra-large 198 litres of volume
- Efficient dryer heating with 21 MJ (gas models) and up to 4,000 Watts (electric models)
- Large, easy-to-clean lint compartment
- Reversible door
- 1913.8 sq. cm door opening is the largest in the industry, providing easy loading and unloading
- Optional venting positions
- Moisture sensing system gives accurate temperature control, protecting garments and reducing energy consumption



#### Single dryer Electronic Control

The Electronic Control keeps users informed throughout the drying process with cycle status lights and a digital cycle countdown. Automatic (moisture sensing) cycles come standard.



LWNE52



LDEE7R, LDGE7R

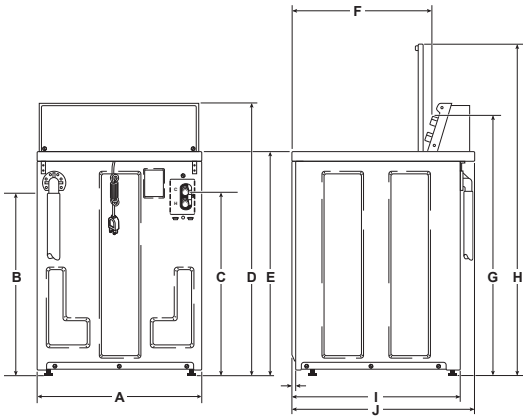
	LWNE52	LDEE7R (Electric) LDGE7R (Gas)
Type	Top Loading Washer	Single Dryer
Control	Electronic	Electronic
Control location	Rear	Rear
Drum		
Capacity kg	9 kg	10 kg
Cylinder volume litres	92.3 Lt	198 Lt
Drum speed		
Spin speed G-Force	150	n/a
Spin speed rpm	710	n/a
Motor		
Motor size kW	0.37	0.25
Cabinet		
Cylinder finish	Stainless steel	White
Colours	White	White
Door type (solid/window)	n/a	Solid
Heating		
Heat sources	n/a	Electric or Natural Gas, LPG optional
Heating element (Electric W)	n/a	4000
Connection		
Gas inlet connection mm	n/a	9.5
Gas consumption MJ/Hr	n/a	21.09 MJ
Exhaust outlet dia. mm	n/a	102
Exhaust airflow litres/sec	n/a	85
Water temperatures	3	n/a
Operation		
Cycles	Heavy Duty, Normal Eco, Perm Press, Delicate, Rinse and Spin, Spin Only	Regular, Perm Press, Delicate, Time Dry, Quick Dry, Fluff Up
Water consumption per cycle litres	92.2	n/a
Water pressure kPa	140/830 kPa	n/a
Cycle indicator lights	Digital display	Digital display
Power		
Electrical requirements (voltage/Hz/Ph)	240/50/1, 6 amp	240/50/1, Electric 20 amp, Gas 4 amp
Transport data		
Net weight kg	82	Electric/Gas 59/61
Shipping weight kg	88	Electric/Gas 64/66
Dimensions H×W×D mm	1092×650×711	1092×683×711
Packing dimensions H×W×D mm	1124×699×762	1156×737×832
Agency approvals		
Available agency approvals	Electrical SAA	Electrical SAA, Gas AGA #4946



## Dimensions

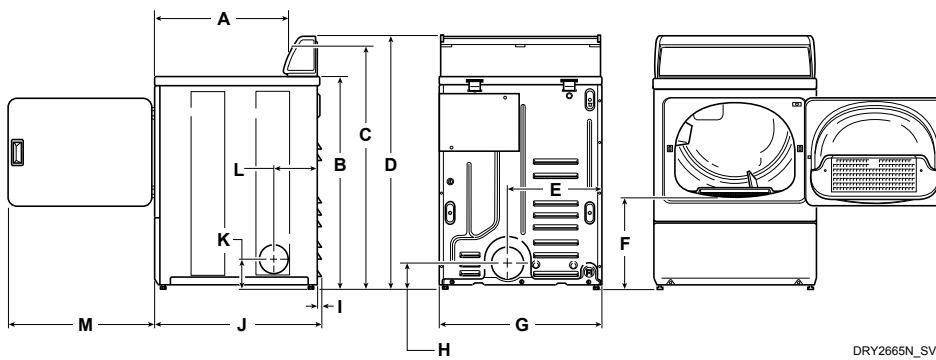
### Top Loading Washer

	A	B	C	D	E	F	G	H	I	J
LWNE52	651	745	730	1092	914	547	1025	1295	660	711



### Electric Dryer

	A	B	C	D	E	F	G	H	I	J	K	L	M
LDDE7R	589	914*	1036*	1092*	391	392*	683	102	10	711	114*	203	597



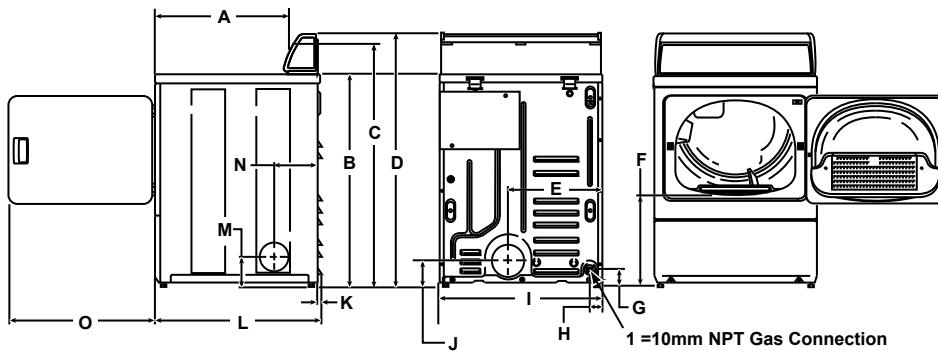
DRY2665N\_SVG

All measurements are in mm. \*With levelling legs turned into base.

NOTE: Exhaust openings are 102 mm metal ducting.

### Gas Dryer

	A	B	C	D	E	F	G	H	I	J	K	L	M	N	O
LDGE7R	589	914*	1036*	1092*	391	392*	70*	60	683	102*	10	711	114*	203	597



All measurements are in mm. \*With levelling legs turned into base.

NOTE: Exhaust openings are 102 mm metal ducting. Gas models cannot be vented out left side of cabinet beca

19.

IMPORTANT: The dryer should have sufficient clearance around it for needed ventilation and for the ease of installation and servicing. For maximum drying performance, we recommend that more clearance be allowed around the dryer than the minimum indicated.





Andrew Barton Laundry Systems.  
67 Colebard Street West, Acacia Ridge,  
QLD 4110  
Ph: +61 7 3716 1333  
Fax: +61 7 3716 1398  
W: [www.andrewbarton.com.au](http://www.andrewbarton.com.au)  
E: [info@andrewbarton.com.au](mailto:info@andrewbarton.com.au)  
Servicing Queensland.

The content of this brochure (including, without limitation, any analysis forming part of it) is general information, for personal use only and should not be relied upon for investment purposes. This brochure provides information based on subjective assumptions and does not provide actual or expected returns, which may in practice be lower than those stated in the brochure. You should obtain independent financial advice prior to making any decision to invest in, or with, Alliance Laundry Systems LLC. To the extent permitted by law, we do not accept any liability (whether in contract, tort, negligence or otherwise and howsoever arising), nor owe any duty of care to you, for any consequences of your acting (or refraining from acting) in reliance on the contents of this brochure. If you enter into a contract with us, we will require that you irrevocably waive your rights to bring a claim against us for acting in reliance on the content of this brochure. E&OE