

# Technical Data Sheet



## WP16 WATER PUMP

## Product Features

### Close Coupled Hydraulic Driven Water Pump

The Australian designed and manufactured hydraulically driven pump system from Hydreco Powauto comprises an ISO 100-65-250 pump close coupled to a high speed, low torque hydraulic motor. Making it a quieter more efficient unit than others in the market.

Whether it be bulk fluid transfer or dust suppression systems, the Hydreco WP16 pump system has the versatility to handle your application.

- **Compact Unit**  
400mm shorter than a "standard" assembly.
- **External Grease Points**  
For ease of service.
- **Unique Close Coupled Motor Assembly**  
For an efficient, space saving and quiet operation.
- **Minimal Moving Parts**  
For long trouble free life.
- **2 Pack Coated**  
To provide protection under harsh conditions.
- **Optional Stainless Steel Impellor**  
For potable water applications.

POW AUTO

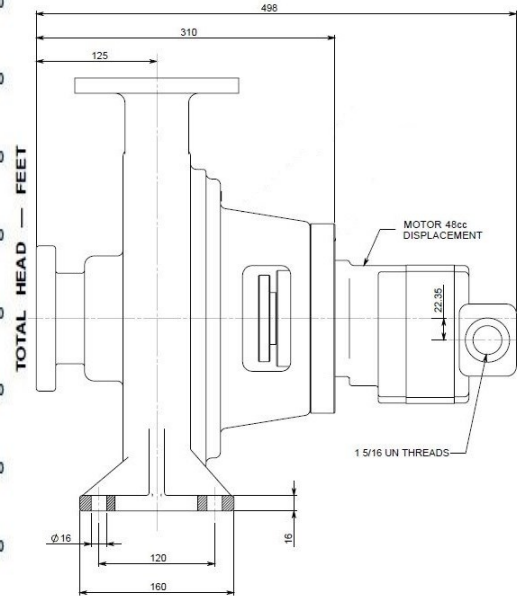
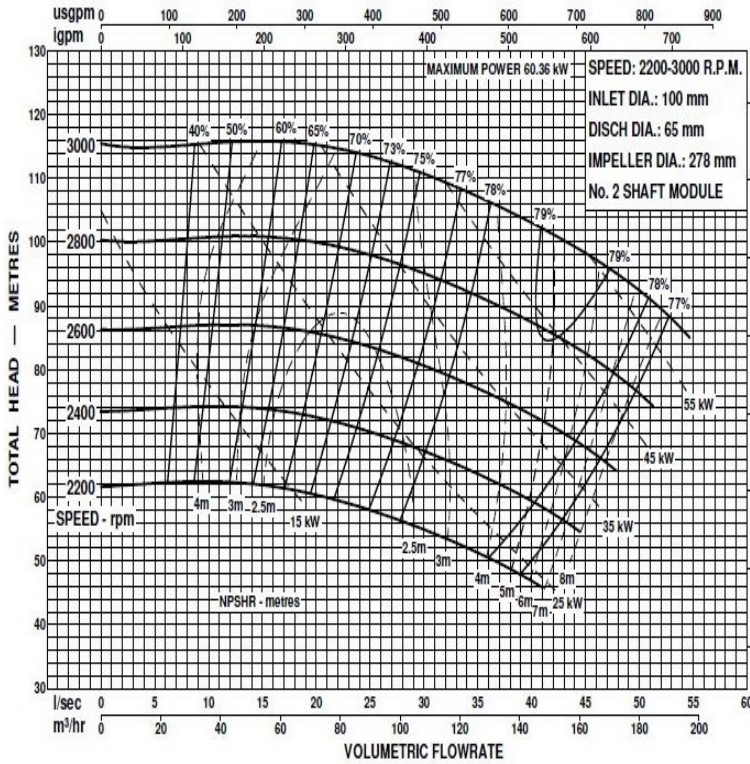
DAVID BROWN  
HYDRAULICS

HYDRECO

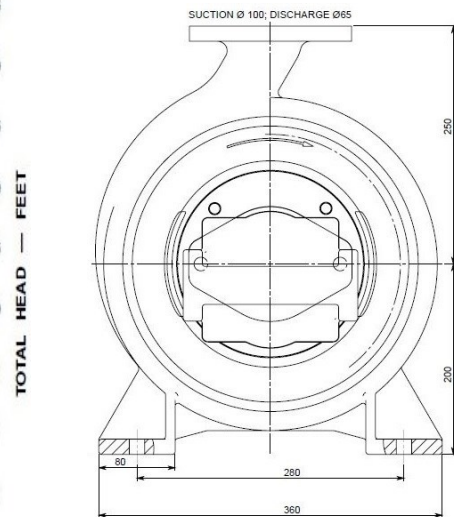
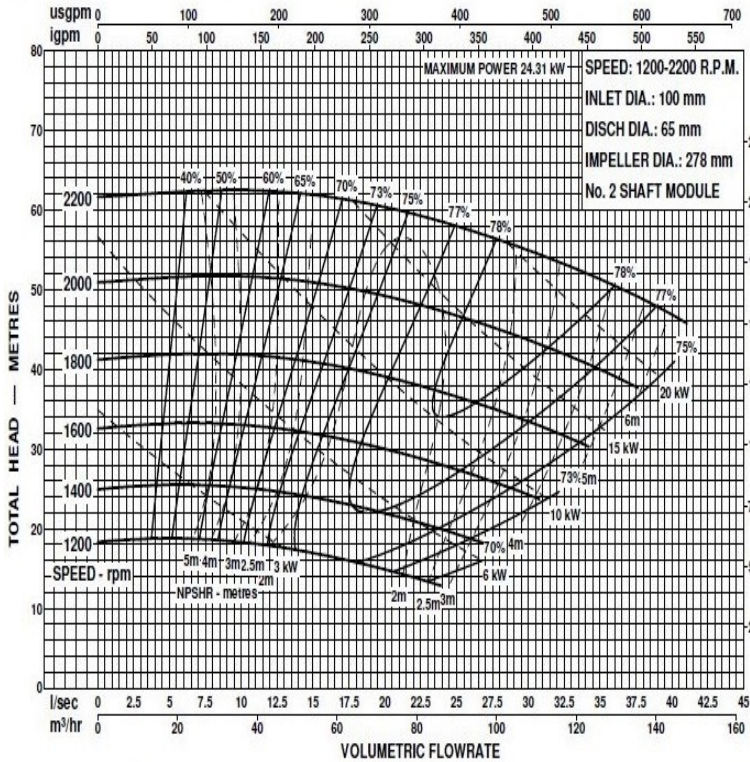
**HYDRECO**  
**POW AUTO**  
HYDRAULIC SOLUTIONS PROVIDER

[www.hydreco.com](http://www.hydreco.com)

# Technical Data Sheet



Performance to AS2417 Grade 2 for clean, cold water only.



Performance to AS2417 Grade 2 for clean, cold water only.

**DISTRIBUTOR:**

Doc: WP16—04/17

POWAUTO

DAVID BROWN  
HYDRAULICS

HYDRECO®

**HYDRECO**  
**POWAUTO**  
HYDRAULIC SOLUTIONS PROVIDER

[www.hydreco.com](http://www.hydreco.com)