



Peak CK835 Standard Electric Homecare Bed

Product Code: 9346376012058

Distributor:

Peak Care Equipment
149 Princes Highway
Unanderra NSW 2526
Tel: +612 4272 2688
www.peak-care.com.au



User Manual

Thank You!

Thank you for purchasing the Peak CK835 Standard Electric Homecare Bed.




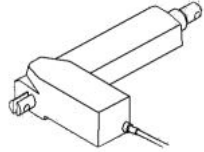



Please Read The Following:

1. Check that nothing has been damaged during shipping
2. Read this operation manual before operation
3. Keep the original packaging and if the bed doesn't work or is damaged on receipt, then contact the store from whom you had purchased the bed.






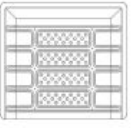



Warning

The bed should be left in its lowest position with the mattress base in a flat profile when **the patient is** unattended in order to reduce the risk of patient injury due to falls while getting into or out of the bed, or whilst lying on the bed.

8	BTI-001C	Steel bed plate (C)	
9	BTI-001D	Steel bed plate (D)	
10	TH1	Hand Set	
11	TA7-2L-150323-253220	Head Rest Actuator	
12	TA1-2L-200373-271220	Hi-Lo Actuator	
13	TA7-2L-100288-251220	Knee Break Actuator	
14	TC1-3A32-1230-20	Control Box	
15	9999-1	Battery Box	
16	9999	mains lead	

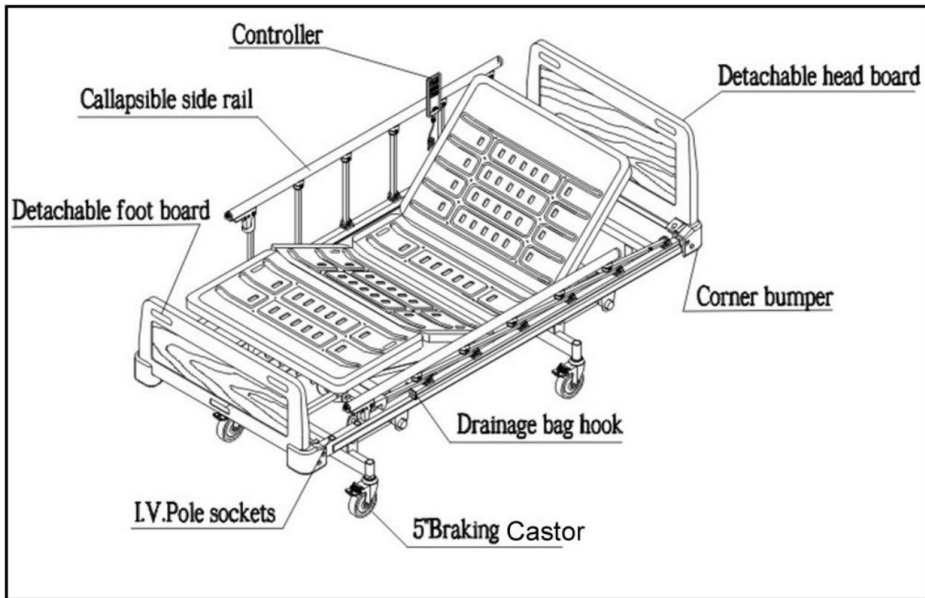
CK-835 Spares List

Item	Part No.	Description	Picture
1	E001	5" (125mm) Anti-dust ABS Castor	
2	BS014-BA	Timber head Board	
3	BS014-HA	Timber foot Board	
4	SR-016	Two section I.V. pole	
5	GRA-BOM-S1-P-Y	Aluminum collapsible side rail	
6	BTI-001A	Steel bed plate (A)	
7	BTI-001B	Steel bed plate (B)	

User Manual Summery

Page 1: Title
 Page 2: Thank you & Warning
 Page 3: User Manual Summery
 Page 4: Diagram
 Page 5: Bed Specifications & Overview
 Page 6: Bed Overview Continued
 Page 7: Hand Control Panel
 Page 8: Side Rails
 Page 9: Actuator System
 Page 10: Detaching Parts From The Bed
 Page 11: Control Box Diagram
 Page 12: Maintenance
 Page 13: Service History
 Page 14: Spares List
 Page 15: Spares List Continued
 Page 16: Peak address & Distributor Information

Bed Diagram.



Service History

Date	Maintenance	Manufactory Signiture	Remark

Maintenance:

Check and services

Before using, make sure power supply is connected, and actuator electricity voltage is applicable.

Make sure lock switch of bed end control panel is located in right position.

Make sure backup battery is workable efficiency for hi/lo operation.

Make sure all mechanism function is workable before using.

In case of any mechanism break down, make sure power supply is connected, and also check motor function is working properly or not. If so, please contact our engineer immediately.

Cleanness

Please do not use any chemical detergent for cleanness.

For bed frame and accessories cleanness, please use water or wet cloth only.

Some suitable lubricating oil is applicable occasionally for joints/bearings in order to maintain mechanism functional.

Any other technical questions, please call our service line for further assistance.

Bed Specifications & Overview:

In addition to be the acute disease cure bed in all kinds of hospital subjects, SS535 electric bed is designed for medical care purpose of offering the patient highly concentrated medical treatment.

I. Specification

Overall Length: 214cm (84")

Overall Width: 100cm (39")

Net weight : 83kg

Bed Surface: L193cm x W88cm (76"x35")

Height Range: Low41cm (20") High75cm (30")

II. Features

- A. All parts are made by tooling to ensure uniform quality
- B. Head/Foot boards are made of plastic ABS, detachable and durable
- C. Integrated stamping bed-top are made of steel, washable and removable
- D. Full Length Aluminum collapsible safety guard rail.
- E. High quality 5" (125mm) anti-dust ABS cover castor.

Bed Overview Continued.

III. Function

- A. Adjustable height: 340mm(±3%)
- B. Bed-rest lifting angle: 0-80°
- Knee-rest lifting angle: 0-40°
- C. Maximum working load capacity : 220kg.

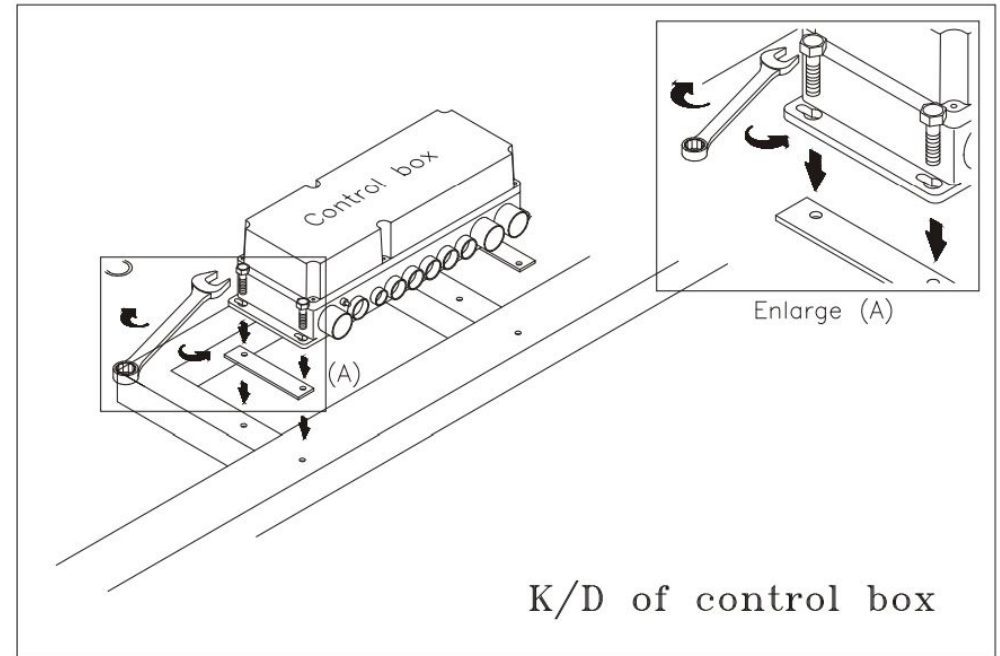
IV. Actuator System

- A. 24V DC actuator system
- B. Voltage: 230V/50HZ
- C. Back-up battery. (option)
- D. Noise test: It's lower than 45db.

V. Accessories

- A. 2 section I.V. pole with 4 hooks & lifting pole socket at head corner

Control Box.

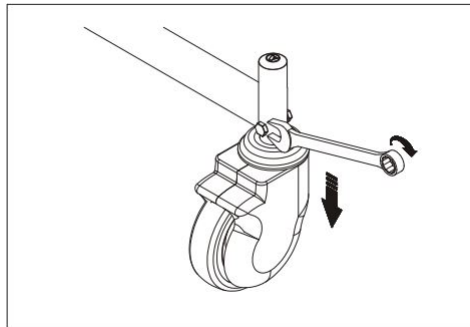


- Our product specification is approved EN60601-1 & EN60601-2-52 standard.

Detaching The Main Parts

You can detach the parts in accordance with specified steps when the parts of the bed have had troubles to replace.

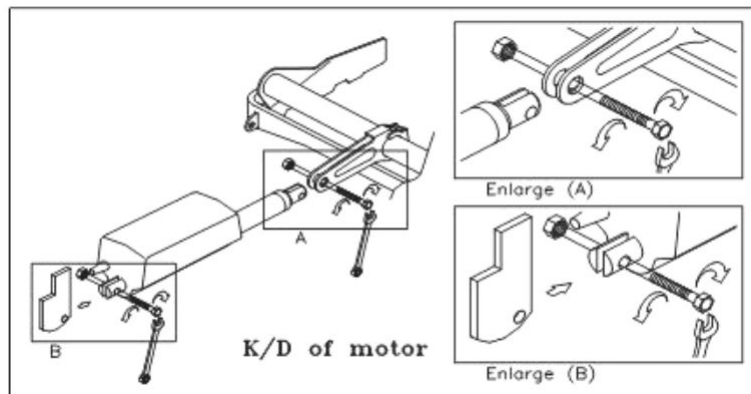
1. Castor Wheels



ATTENTION!!

Before you disassemble the actuator from main structure, you should pull out the plug of actuator from control box.

2. Actuator



-Our product specification were approved EN60601-1 & EN60601-2-52 standard.

Hand Set Control Panel.

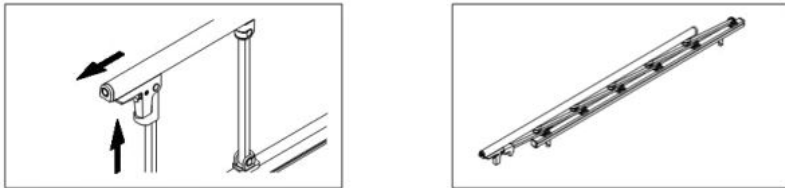
- Back Rest Up/Down Adjustment ->
- Foot Rest Up/Down Adjustment ->
- Bed Hi/Low Adjustment->
- Synchronous Button->



- Make sure the power supply of control box is efficient and hand set control panel connect to control box correctly before operating.
- Our product specification were approved EN60601-1 & EN60601-2-52 standard.

Side Rail*

The full length aluminum collapsible side rails are attached on both side of the bed. When operating, you have to pull the rails up to the top. The rail will be fixed when they are in the top position. If you press switch push forward down, the rails will return to the origin. Make sure the switch is locked.



Timber Head/Foot Board & Side Rails*

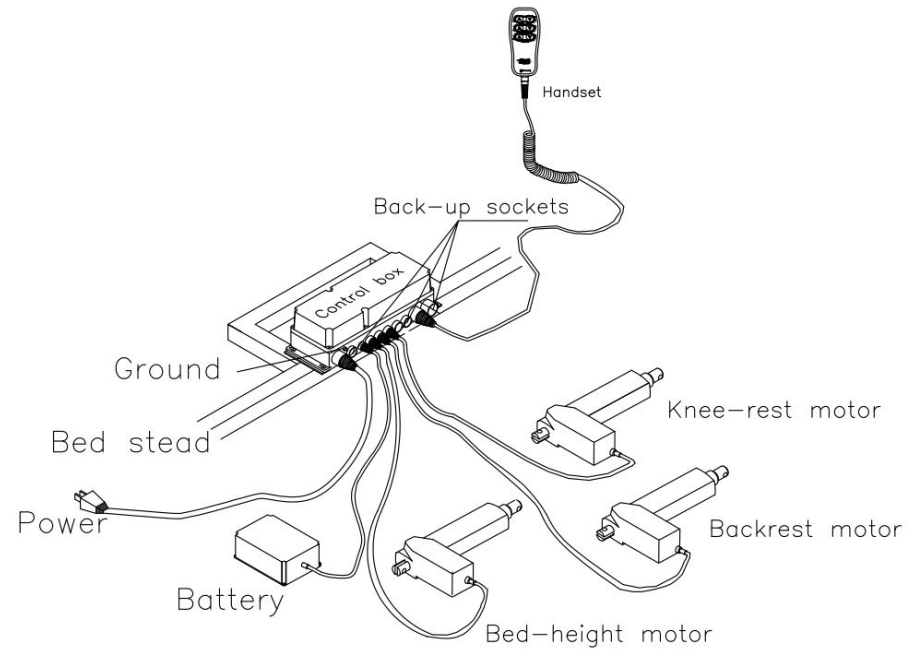
The bed offers the large bumpers on the side corner. They can protect wall or Doorway. Detached timber board pedestals are located at the bilateral inside. If you pull the pedestal simultaneously, the board will be taken apart. Further, the function can help nurses to do CPR.



Detachable timber side panels*



Actuator System*



Safety*

- For safety assurance, please do not detach electricity control system except qualified engineers.
- Our product specification is approved EN60601-1 & EN60601-2-52 standard.
- For adults operation only
- When side rail in up position make sure switch is locked