



Destoner.  
**MTSD.**

# High separating efficiency. Efficient cleaning.

## High versatility.

The Buhler MTSD destoner is applied for efficient separation of stones and pebbles, glass, and other high-density matter from the stream of grain. The throughput capacity will vary as a function of the specific product and its degree of contamination: With soft wheat, a throughput up to 22 t/h can be achieved, with durum wheat up to 14.5 t/h, and with corn/maize up to 16.5 t/h. In addition to the grain varieties mentioned, the destoner is also used to process rye, rice, and soybeans.

## High separating efficiency – excellent grain cleaning.

- With its high separating efficiency, the MTSD destoner is capable of efficiently separating even small and light-weight pebbles with the size of a grain from the stream of product, thus ensuring optimal grain cleaning.
- The excellent separation of high-density particles such as stones and pebbles, glass, and metal allows wear and tear of the downstream elements within the production chain to be appreciably reduced.
- Carefully cleaned raw materials are a precondition for achieving a high end product purity and complying with food safety regulations.

## Wide variety of applications.

This destoner is characterized by its wide variety of applications: In addition to standard applications with wheat, rye, and corn/maize, the machine can also be used in specialty mills for processing oats, buckwheat, barley, spelt, and millet. The MTSD destoner is even successfully applied in breweries, distilleries, and ethanol production plants.

## Tailor-made solutions – optimal customization.

The MTSD destoner is available in three different sizes with a throughput scalability of 2 to 6 t/h, 6 to 12 t/h, or 12 to 22 t/h. It can thus be flexibly adjusted to individual space situations.



MTSD destoner for efficient separation of stones and pebbles.

## The advantages at a glance:

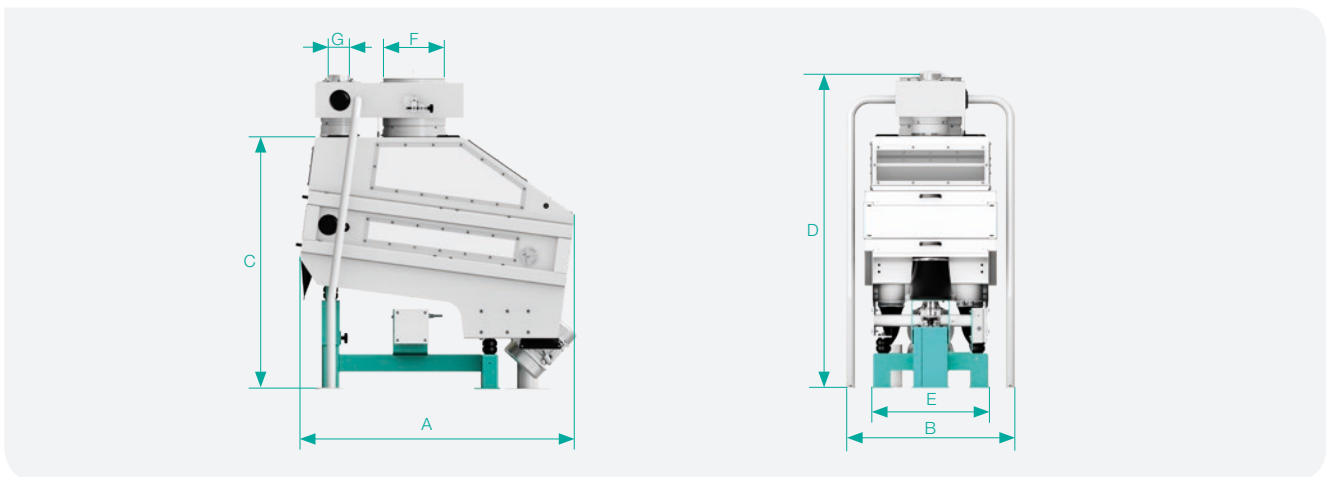
- High separating efficiency
- Wide variety of applications
- High product safety

# Tailor-made solutions. Wide variety of applications.

The technical data of the Destoner MTSD at a glance:

Model		MTSD-65/120 E	MTSD-65/120	MTSD-120/120
<b>Dimensiones</b>	mm			
<b>A</b>		1600	1600	1600
<b>B</b>		1000	1000	1540
<b>C</b>		1195	1445	1445
<b>D</b>		1545	1805	1805
<b>E</b>		660	660	1200
<b>F</b>		350	350	500
<b>G</b>		120	120	120
<b>Screen width</b>	cm	65	65	120
<b>Screen length</b>	cm	120	120	120
<b>Drive</b>	kW	1 x 0,3	1 x 0,3	2 x 0,3
<b>Negative air pressure</b>	mbar	12	12	12
<b>Approx. weights</b>	kg			
net		310	400	600

Without circulating-air system (Dimensions, technical data, weights, etc.)



Capacity range:

Model		MTSD-65/120 E	MTSD-65/120	MTSD-120/120
<b>Soft wheat</b>				
Throughput	t/h	6	6 - 12	12 - 22
Aspiration	m <sup>3</sup> /min	70	70	130
<b>Durum</b>				
Throughput	t/h	4	4 - 8	8 - 14,5
Aspiration	m <sup>3</sup> /min	70	70	130
<b>Corn/maize</b>				
Throughput	t/h	4,5	4,5 - 9	9 - 16,5
Aspiration	m <sup>3</sup> /min	70	70	130

The throughput capacity data refer to dry grain in the first cleaning section. E = 1 screen deck

## **Bühler AG**

CH-9240 Uzwil  
Switzerland

T +41 71 955 11 11  
F +41 71 955 66 11

[buhlergroup.com/milling](http://buhlergroup.com/milling)

Flyer Destoner MTSD en 11/17 ZACC