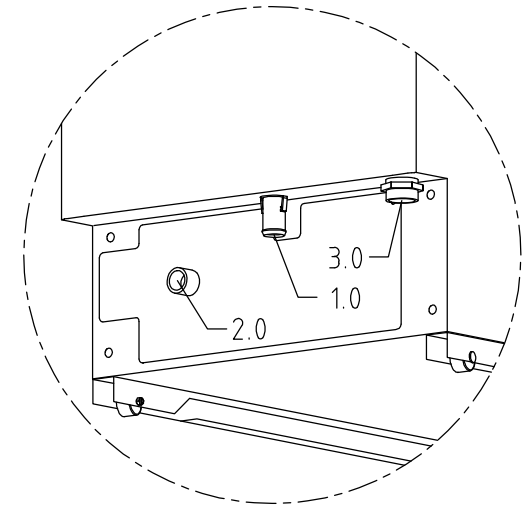
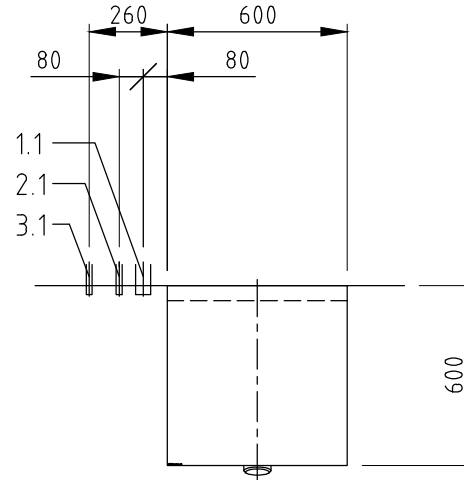
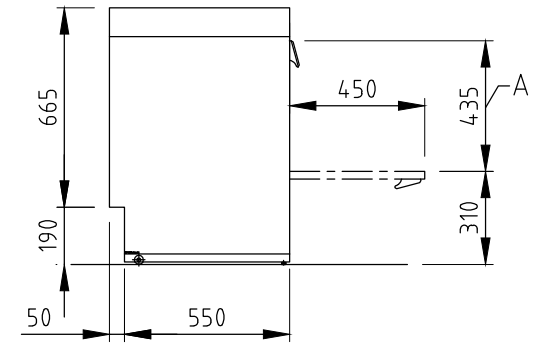
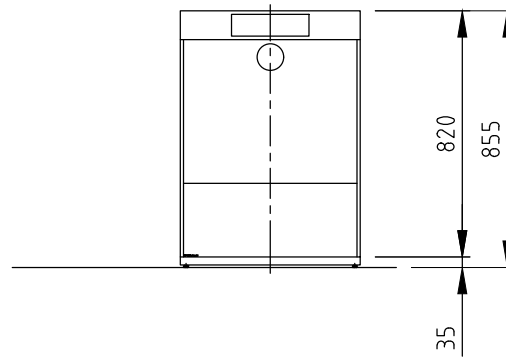



1.0	machine connection: Drain line hose fitted as odour trap in interior of machine	DN 22
1.1	drain (max. 700 mm above of the floor level)	DN 50
2.0	machine connection: fresh water line	G 3/4"
2.1	soft warm water 45 - 60°C max. 0,54 mmol/l CaCO ₃ / 53,4 ppm/CaCO ₃ (max.3°GH) approx. water flow rate 4 l/min min. flow pressure: 60 kPa / 0,6 bar upstream of the solenoid valve, maximum pressure: 500 kPa / 5 bar stopcock and fine screen ≤ 25 µm	DN 15
		G 3/4 a
3.0	machine connection: electricity connecting cable	3G 2,5 mm ²
3.1	electricity supply cable to the machine	1N PE 230V ~ 50Hz
	nominal current / - capacity	14.0 A 2.7 kW
	⊕ Voltage equalising cable	Fuse protection: 16 A
Electrical equipment suitable for supply voltage:		
3N PE 380-415 V 50 Hz / 1N PE 220-240 V 50 Hz		
heat load of the wash room in case of 20 program cycles /h	total	ca. 2.1 kW
	perceptible	ca. 1.4 kW
	latent	ca. 0.7 kW
connecting cable, included but not installed		2,5 m
the position of the connection piping can also be mirror-inverted		
Options available on machine		
(A) Entry height		
Rinse agent pipe and suction lance (blue connector)		
Detergent pipe and suction lance		
Roller base 35 mm		



	MEIKO Australia-Pacific Pty Ltd Unit 4, 72 - 74 Gibbes Street Chatswood NSW 2067 TEL. +61-1300 367 730, Telefax +61-1300 656 420 E-MAIL: info@meiko.com.au	Revision Reference DISHWASHER STANDARD DRAWING / AUS	Type M-ICLEAN UM+
	It is neither allowed to give this drawing without our permission to a third party for information or reproduction, nor may it be used for competition purposes. We reserve all rights! Please note: This document is only valid in conjunction with the conditions defined in the document "Important remarks"! Can be requested from the manufacturer or downloaded from Partnernet.	Drawing-No. S000014.92	Order-No.
	Scale 1:25	drawn: 17.02.2017 m-iplan	