

# SI-324

## Mid-Range Digital Signage Player

AMD Ryzen™ Embedded V-Series Zen Core-based Signage Player with AMD Vega GPU and Four HDMI



### Specifications

System Mainboard	MBD324
CPU Type	AMD Ryzen™ Embedded V1807B 3.35/3.8GHz; DC V1202B 2.3GHz/3.2GHz
CPU Socket	FP5 BGA package, 37x29mm
Chipset	AMD integrated SoC
Memory	2x DDR4-2400 SO-DIMM, Dual Channel, Max. 32GB
Graphics	Next-gen AMD Vega GPU integrated
LAN	2x Realtek RTL8111H Gigabit LAN controller
Expansion Slots	1x Mini PCI-E (full-size) for Wi-Fi, Bluetooth, 4G LTE or capture card options 1x M.2 E-Key (2230) for Wi-Fi, Bluetooth, 4G LTE options 1x SIM card slot
I/O Interface	4x HDMI 2.0 with hardware EDID emulation 2x USB 3.0, 1x USB 2.0 2x RJ45 for Gigabit LAN 1x RJ45 for RS-232 serial port 1x Microjack audio connectors for Line-out Power / HDD LED, 1x power button 1x Power jack connector
Auto Control and Monitoring	Watchdog Timer: 256 segments, 0, 1, 2...255 (sec/min)
Power Requirement	+12V DC-in
Construction	Aluminum + SGCC
Weight	2.1 kgs (4.63 lbs)
Chassis Color	Black & white
Storage	1x M.2 M-Key(2280)
Power Supply	150W power adaptor
Mounting	Slim design with wall mounting holes
Dimensions	269mm(W) x 193mm(D) x 31.5mm(H) 10.59"(W) x 7.59"(D) x 1.24"(H)
Operating Temperature	0°C ~ 45°C (32°F ~ 113°F)
Storage Temperature	-20°C ~ 80°C (-4°F ~ 176°F)
Relative Humidity	10%~90% (non-condensing)
Vibration	M.2: 5 grms / 5~500Hz / random operation
Certification	CE, FCC class B, cULus & CCC
Operating System	Win 10 IoT Enterprise 64-bit Linux Ubuntu 64-bit

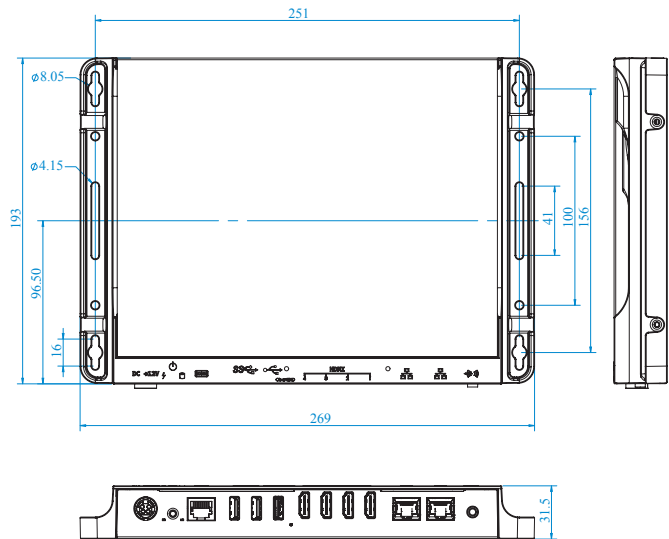
### Features

- iCONTROL intelligent energy-saving & Observer remote monitoring technologies
- AMD Ryzen™ Embedded V1000 series
- Vega GPU with up to 11 Compute Units
- 4x HDMI 2.0 with independent audio output support
- Built-in hardware EDID emulation function with the software setting mode
- 2x DDR4-2400 SO-DIMM, dual channel, Max. 32GB
- 1x Mini PCI-E(full-size) for Wi-Fi, Bluetooth, 4G LTE or capture card options
- 1x M.2 E-Key(2230) for Wi-Fi, Bluetooth, 4G LTE options
- 1x M.2 M-Key(2280) for storage
- Segregated flow ventilation design

### Ordering Information

SI-324	Signage Player with MBD324 w/ AMD Ryzen™ Embedded V1807B 3.35GHz/3.8GHz ;2x 4GB DDR4 2400 SO-DIMM memory, M.2 128GB, 150W power adaptor (RoHS)
SI-MK3A	Mounting bracket for SI-304/SI-122-N/SI-313/SI-313-N/SI-324/SI-613/SI-623 series
SI-1U-AD	1U Rackmount kit
HDMI Cable Holder	SI-304/SI-324 HDMI bracket kit

### Dimensions



Backplane Systems Technology

Backplane Systems Technology Pty Ltd

TEL 02 9457 6400  
sales@backplane.com.au  
www.backplane.com.au