

DELTA

3645ITP200P67 Flat

EAN 4031582366525

Swivel castor with wheel brake, housing made of heavy pressed steel, bright zinc plated, blue passivated, precision ball bearing swivel head, sealed, wheel axle with nut, plate fitting with integrated central lock. Wheel centre made of Aluminium, Tread: Polyurethane, casted, precision ball bearing



BETTER MOBILITY. BETTER LIFE.



Picture may differ from original product

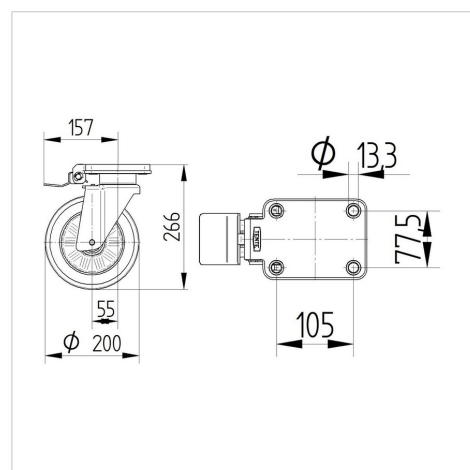
Technical Data

Wheel diameter	200 mm
Width of Tread	50 mm
Size of Plate	142 x 110 mm
Plate hole centres	105 x 77,5 mm
Plate hole	13 mm
Offset	55 mm
Swivel Interference	310 mm
Overall height	265 mm
Temperature	- 20 / + 60 °C
Standard	EN 12532
Weight	4.33 kg
Swivel Radius	155 mm
Hardness of tread	Shore A 92
Load capacity	600 kg
Load capacity (static)	1200 kg

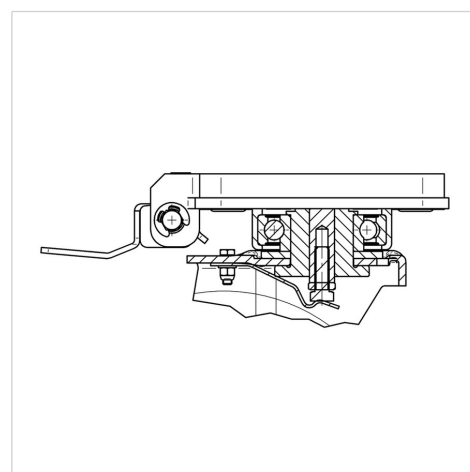
Advantages at a glance

Roll performance	● ● ● ○ ○
Movement noise	● ● ● ○ ○
Attrition	● ● ● ● ○
Corrosion resistance	● ● ● ○ ○

Dimensions



Structure & Mounting



DELTA

3645ITP200P67 Flat

EAN 4031582366525



BETTER MOBILITY. BETTER LIFE.

Structure & Mounting

