



**HEIGHT ACCESS & EDGE PROTECTION
FOR THE CARAVAN INDUSTRY**





THE AU BRAND TRUSTED BY LEADING TRANSPORT COMPANIES WORLDWIDE

SafeSmart Access is a manufacturer and importer of portable height access equipment. SafeSmart Access has been providing height access solutions in Australia since 2007, with a world-wide distribution network catering for the construction, defence, mining, aviation, transport, and pipeline industries around the globe.

The Covid-19 pandemic saw exponential growth of annual caravan and camping trips in Australia. In 2022 records have proven that the industry is continuously growing with the numbers of trips overtaking the 2019 levels. The demand for motorhomes has resulted in an increase of production for recreational vehicles and maintenance, with worker efficiency quintessential to meeting market demand, and worker safety being paramount when working with large vehicles.

HEIGHT ACCESS IN THE CARAVAN INDUSTRY

With the ever-growing motor home industry showing no sign of slowing down in the future, safety compliant height access systems are few and far between. The increase in demand for systems to access vehicles for production and maintenance has seen workshops create makeshift equipment for height access that hinder worker efficiency and pose a significant risk to worker safety.

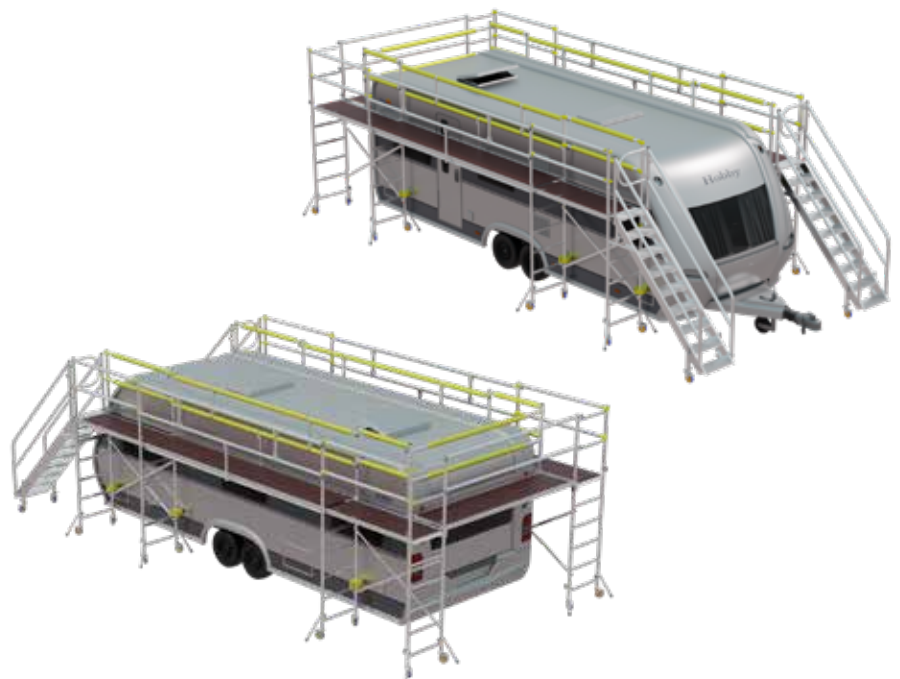
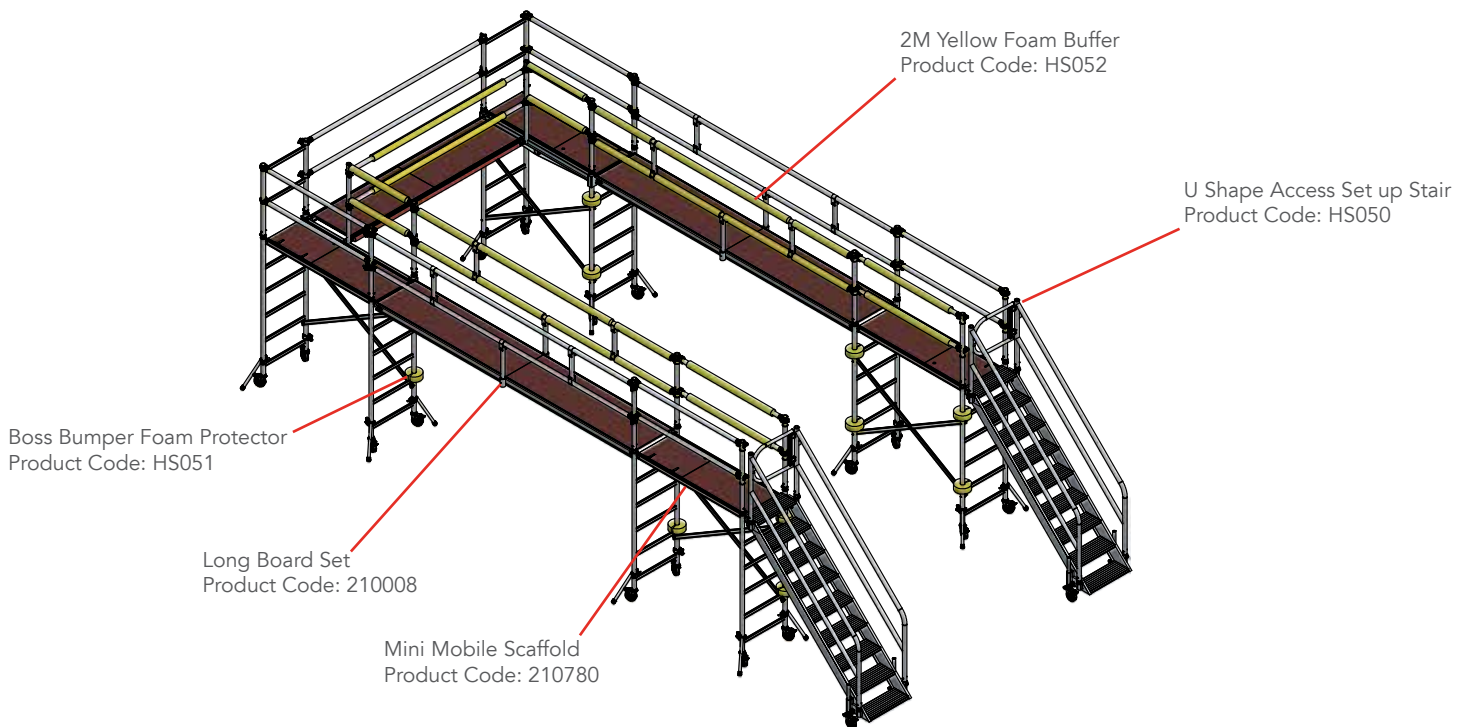
At SafeSmart we provide height access solutions and efficient working platforms for the caravan industry, with designs tailor made for even the tightest of workshops spaces without compromising on worker safety.

We understand the unique challenges workshop constraints can pose. If you have a height access requirement that cannot be met from our standard range, we offer unique custom product designs and manufacturing services without compromising safety requirements. Get in touch and arrange a free site audit, where a SafeSmart Specialist will assess your worksite and provide height access recommendations that will enhance worker efficiency whilst saving you time and money.



U-SHAPED VEHICLE ACCESS PLATFORM

- Utilises components of the Mini Mobile system: custom stairs, longboard packs, corner packs create two side platforms and a rear joining platform.
- In this instance, the system is used to assist with caravan builds.
- The modular nature of the Mini Mobile system allows for easy addition of length, if required.
- SafeSmart Access often utilises existing products and combines them to create customised systems that are quick and easy to deploy



MINI MOBILE & ACCESSORIES

MINI MOBILE SCAFFOLD

Code	Platform Dimensions - Description	Length
210780	0.7mW x 1.9mH Platform, Standard Scaffold & Guardrail set	1.7m

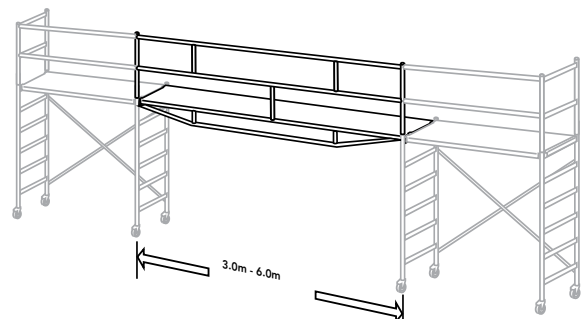


○ Accessories below are used in conjunction with the Mini Mobile Scaffold system and allows you to configure platforms to suit your requirements.

LONG BOARD SET

Code	Description
210007	3.0m (set)
210008	4.0m (set)
210009	5.0m (set)
210010	6.0m (set)

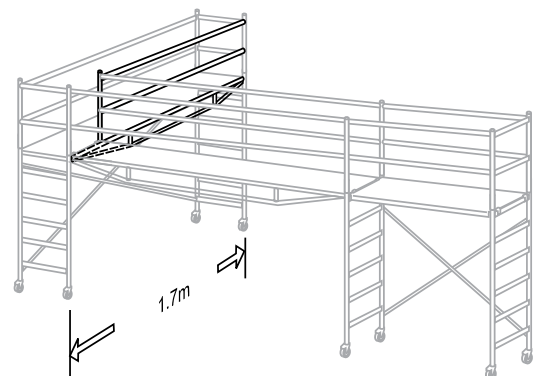
Complies with
AS/NZS
1576



CORNER PACK

Code	Description	Length
210017	Handrails & Transoms	1.7m

Complies with
AS/NZS
1576 : 2018



ADDITIONAL ACCESSORIES

U SHAPE ACCESS SET UP STAIR

Code	Description
HS050	Mini Mobile Accessory - U Shape Access Set up Stair 1.8mH x 0.7mW Fixed, GR to both sides and gate



BOSS BUMPER - YELLOW FOAM PROTECTOR

Code	Description
HS051	Mini Mobile Accessory - Boss Bumper - Yellow Foam Protector



2M YELLOW FOAM BUFFER

Code	Description
HS052	Mini Mobile Accessory - 2m Yellow Foam Buffer *50ID XPE yellow foam @2mL



The Challenge

Safe height access around vehicles proves to be a challenge for most workshops and servicing garages. For Jayco Caravans and their service department, accessing caravan roofs safely has always been a great challenge. Jayco reached out to SafeSmart Access for a solution. Providing a safe working environment for their team of mechanics and carpenters as well as completing work in a fast and efficient turn around period, was absolutely vital.

Harnesses have previously been an option, but they were time consuming to install and can be cumbersome while working. Permanent scaffolding can also be time consuming to install and difficult to redeploy. While ladders often do not provide the adequate protection or rigidity needed for workshop vehicle repairs.



The SOLUTION

Working together with Jayco, one of SafeSmart's Technical Industry Experts was able to provide the Mini Mobile Scaffolding system as a versatile maintenance solution. Lightweight, redeploy-able, and rigid without compromising height safety for their staff around vehicles and workshops.

The Mini Mobile Scaffold system is easily set up with just one person, reaching a height of 1.9m to access the caravan roof while staff are protected with top and mid guardrails. Its thick aluminium frame walls offer superior rigidity and longevity no matter the bumps from tools throughout its working life. Though the real versatility is empowered by the functionality packs.

For a full U-shape platform setup, the Long Board and Corner Packs were combined with additional Mini Mobile Scaffolds for full access to the sides of the caravan, as well as making the roof completely accessible with ease and safety. Spanning over 3m, the Long Boards are extremely sturdy, supporting workers and tools at height. Additionally, for easy and safe access, we provided a 45-degree gated stairway so that employees could carry their equipment without having to scale ladder.



The RESULT

Talking with Jayco staff after the installation, maintenance crews were extremely happy with the outcome. Providing safe and efficient access to the caravan roof, platforms that were easily moved around the workshop, and a solution that is strong enough to support themselves and their tools.

SAFELOADER PLATFORM

Code	Platform Dimensions - Description
210808	0.7mW x 1.4mH x 2.0mL Platform, Stairs one end
210784	0.7mW x 1.4mH x 4.0mL Platform, Stairs one end
210785	0.7mW x 1.4mH x 6.0mL Platform, Stairs one end
210202	Lanyard Line Kit to suit 6m Platform

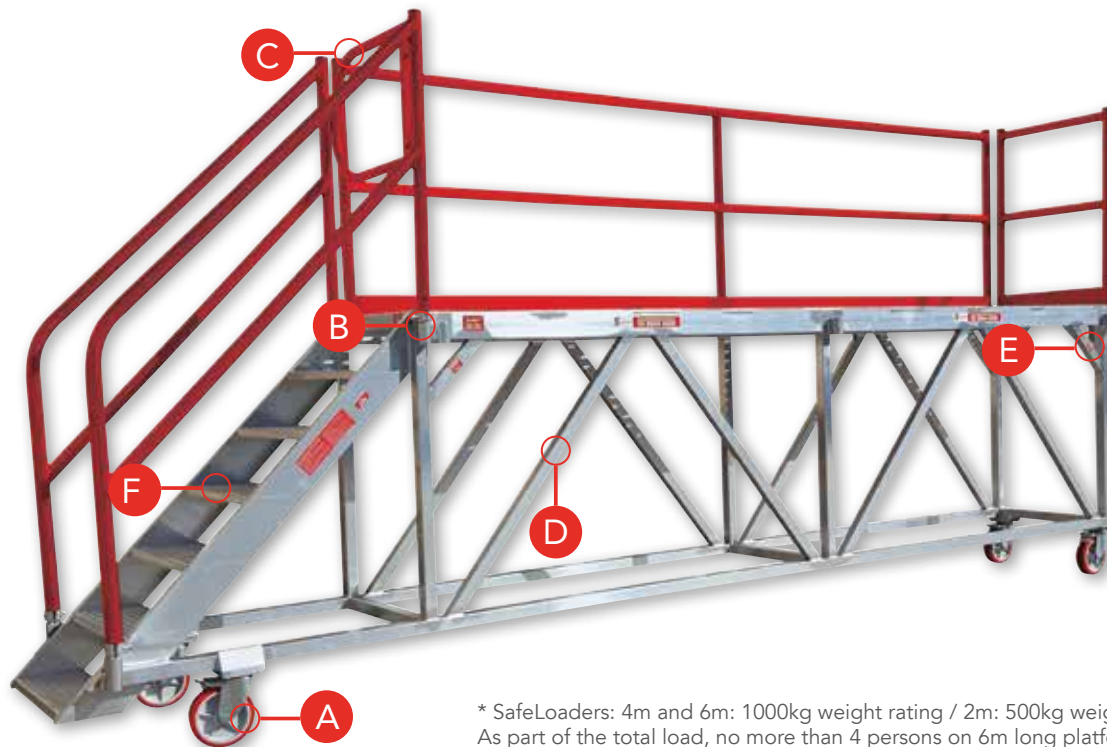


- Comes standard with crane lifting points
- Bolt-on forklifting channels available
- Fully cross braced aluminium frame for a rigid platform
- Self-closing gate at entrance to platform as per AS1657:2018
- 200mm heavy duty castors, swivel and locking
- Ideal for workshops where space is limited, for access down one side of the vehicle at a time. Originally designed for easy loading and unloading of trucks

CODE	DESCRIPTION
A	200mm diameter casters
B	Quick release guardrail system
C	Self-closing safety gate
D	Cross bracing
E	Crane lifting points
F	45° easy full stair access

1000KG*
Weight Rating

Complies with
AS/NZS 1657



* SafeLoaders: 4m and 6m: 1000kg weight rating / 2m: 500kg weight rating. As part of the total load, no more than 4 persons on 6m long platforms and 3 persons on 4m long platforms at any one time.

SUPER TRESTLES & BRIDGING SYSTEMS

- 450mm desk width
- Large work area for industrial, trade use
- Folds down flat for easy transport & storage
- Bridging systems are used to join multiple Super Trestles for a larger work platform
- Create a full surround work platform in seconds!
- Can be joined end-to-end or side-to-side



MOBILE EDGE PROTECTION FRAME

- Uses components of EasyRail & modular base sections
- 1. Creates a safe and easy system that can be easily wheeled over or built around a caravan to create a fully enclosed safe work area
- Height adjustable to suit different caravans - width and length adjustment is also available
- 2. Originally designed for use on portable buildings

Complies with
AS/NZS
4994.1: 2009





CUSTOM DESIGN AND MANUFACTURE

SafeSmart Access has a wide range of standard products for safely accessing heights in the caravan industry. If you have a height access requirement which cannot be met from our standard range, ask us about our custom design and manufacture service. In consultation with you, we will produce a design to suit the application and on approval of full drawings and 3D images, manufacture in our ISO90001 factory.



SYD 02 8844 4500 - MEL 03 9309 0544 - BNE 07 3266 7111

www.safesmartaccess.com.au