

CTX

Change Tables & Shower Trolleys

The CTX is the ultimate wall mounted changing table that allows the complex needs of daily care giving to be conducted in a comfortable and relaxed manner for both the care giver and cared for.

The height of the bed can be easily adjusted up or down via the handset, which also controls the integrated lighting. This combines to give a calm and relaxed environment for transferring and changing. Tilting head rests also offer enhanced comfort. The CTX changing tables are designed to withstand high usage in wet and humid environments with the inclusion of stainless-steel parts, a durable and comfortable moulded polyurethane bed with drain holes and an integrated water collection tray.

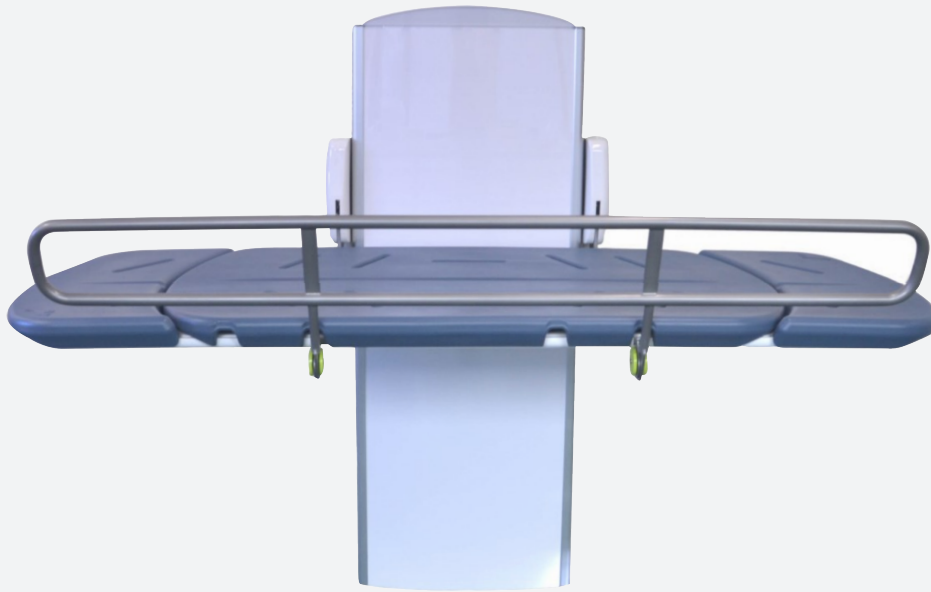
The innovative CTX can be floor or wall mounted and stows neatly when not in use to maximise room space, held in place with twin gas struts. It features battery back-up for safe lowering in the event of a power failure.

Features

- Rust-free stainless-steel bed frame & components
- Moulded polyurethane padded bed/platform
- Integrated water collection tray with drain hose
- Integrated colour changing LED light
- 1x Integrated tilting headrest (1500mm model)
- 2x Integrated tilting headrests (1800mm model)
- 3 Year warranty (Terms and conditions apply)
- Calming ambience through integral lighting
- Comfortable polyurethane padded bed
- Discreet integrated water collection tray
- Flexible support with tilting headrests
- Added safety via optional guards
- Height Adjustable
- Mains Electric
- Battery Backup
- 200kg/31½st SWL
- LED Strip Light
- 3 Year Warranty

Product Code:

00.036.00.1500 (1500mm) 00.036.00.1800 (1800mm)



CTX

Change Tables & Shower Trolleys

Optional Extras

- Bed sizes 1500 or 1800 x 700mm
- Fold away front safety guard
- Twin position side safety guards
- Front and end guards
- Protective padded guard bumper
- Range of service and maintenance packages

Application

- Private home
- School
- Leisure centre
- Care home
- Nursing home
- Respite home
- Hospital
- Changing places

