

## Features:

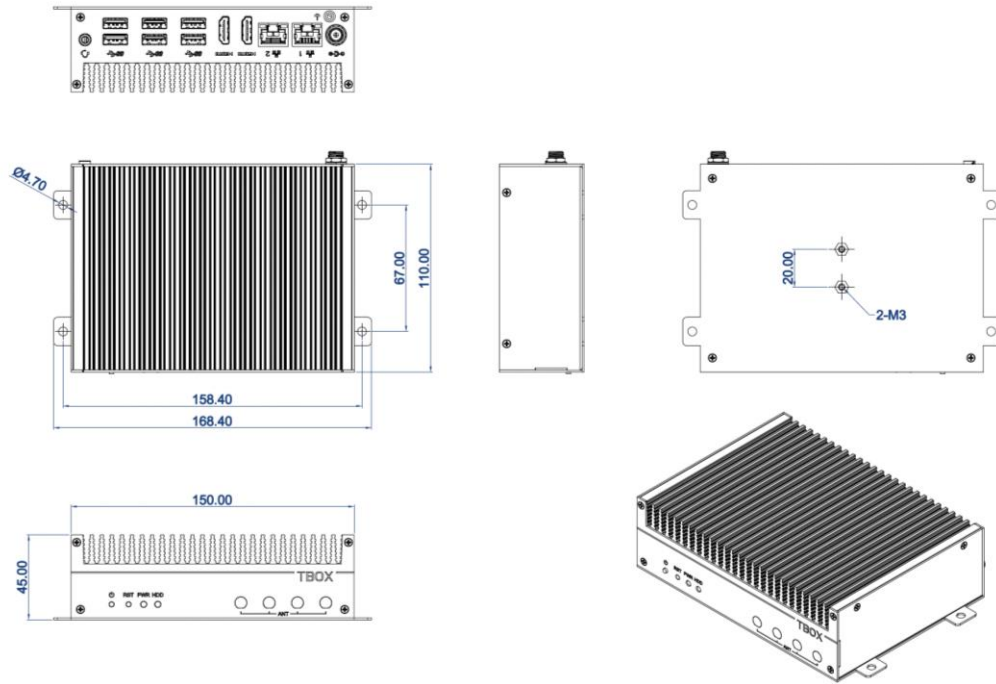
- Rugged, Ultra-small, fanless designed box structure;
- Intel Tiger Lake UP3 Core i3-1115G4 Dual-core processor;
- DC 12V power input, with DC jack;
- Industrial -20 ~ + 60°C operating range;
- 2 GLAN, optional with 3G/4G/5G, and Wi-Fi/BT expansion;
- 6 USB3.0, 2 HDMI, Audio;
- 1 M.2 2230 E-key slot, 1 M.2 3052 B-key slot.



## Specification

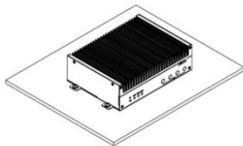
|                                  |                           |                                                                                          |
|----------------------------------|---------------------------|------------------------------------------------------------------------------------------|
| <b>System</b>                    | BIOS                      | SPI AMI EEI BIOS                                                                         |
|                                  | CPU                       | Intel Core i3-1115G4, Dual-core processor, up to 4.1Ghz                                  |
|                                  | TDP                       | 15W ( <b>Fixed configuration</b> )                                                       |
|                                  | TPM                       | Intel PTT TPM2.0                                                                         |
|                                  | Memory                    | SO-DIMM, DDR4-2666/2933/3200Mt/s, Single slot, max. up to 32GB                           |
|                                  | Storage                   | 1* M.2 2280 M-Key slot (PCIe Gen.IV x4, NVMe) SSD                                        |
|                                  | Graphic                   | Intel UHD Graphics (Up to 48 EUs, 1.25Ghz)                                               |
|                                  | Network                   | 1* Intel I219, 1* Intel I225, optional Wi-Fi/BT (M.2 E-key 2230), 4G/5G (M.2 Key-B 3052) |
|                                  | Audio                     | On-board Realtek ACL897 Audio controller                                                 |
|                                  | Expansion                 | 1* M.2 2230 E-key slot. 1* M.2 3052 key-B slot                                           |
|                                  | Watchdog                  | 0 ~ 256 seconds programmable                                                             |
| Operating system                 | Win10, Win11, Linux       |                                                                                          |
| <b>IO interface</b>              | Serial port               | N/A                                                                                      |
|                                  | Ethernet                  | 2* RJ45, 10/100/1000 Mbps                                                                |
|                                  | Audio                     | 1* Mic-in/Line-out (2 in 1 Jack)                                                         |
|                                  | USB                       | 6* USB3.0                                                                                |
|                                  | Display                   | 2* HDMI                                                                                  |
|                                  | Power input               | DC Jack, lockable 5.5 * 2.5                                                              |
|                                  | GPIO                      | N/A                                                                                      |
| <b>Structure</b>                 | Box structure and surface | Aluminum alloy, anodizing and anti-scratch treatment                                     |
|                                  | Color                     | Black                                                                                    |
|                                  | Mount method              | Desktop, wall mount, optional with Din-rail mount                                        |
|                                  | Cooling system            | Finned aluminum heatsinks                                                                |
|                                  | Indicator & Button        | Power switch, Power LED, HDD LED                                                         |
|                                  | Dimension                 | 168.40 * 110.00 * 45.00 (mm)                                                             |
|                                  | Net weight                | About 0.85 KG                                                                            |
| <b>Power &amp; Environmental</b> | Operating temp.           | -20 ~ + 60 (°C)                                                                          |
|                                  | Storage temp.             | -40 ~ + 70 (°C)                                                                          |
|                                  | Humidity                  | 10 ~ 95% @ 10C (No condensation)                                                         |
|                                  | Vibration                 | 50 ~ 500 Hz, 1.5G, 0.15mm peak to peak                                                   |
|                                  | Shock                     | 10G/Peak (11 ms)                                                                         |
|                                  | Power input               | DC 12V                                                                                   |
|                                  | Power consumption         | About 25W                                                                                |
| EMC                              | CE/FCC Class A            |                                                                                          |

### Dimensions (mm)



### Installation Scenario

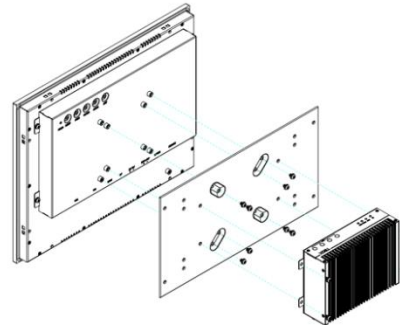
Stand/Wall Mount



DIN-Rail Mount (Optional)



VESA Mount (Optional)



### Ordering information

| Part no.                 | Description                                                                          |
|--------------------------|--------------------------------------------------------------------------------------|
| TBOX-11T15               | Intel Core i3-1115G4, 2 RJ45, 6 USB3.0, 2 HDMI, Audio, DC 12V (DC Jack), PSU         |
| TBOX-11T25               | Intel Core i5-1135G7, 2 RJ45, 6 USB3.0, 2 HDMI, Audio, DC 12V (DC Jack), PSU         |
| TBOX-11T35               | Intel Core i7-1165G7, 2 RJ45, 6 USB3.0, 2 HDMI, Audio, DC 12V (DC Jack), PSU         |
| -4G / -8G/-16G/-32G      | Memory: SO-DIMM, DDR4, <u>4GB/8GB/16GB/32GB</u>                                      |
| -128GS / -256GS / -512GS | M.2 NVMe SSD: 128GB/256GB/512GB                                                      |
| TBOX-WiBlu               | Wi-Fi module with BT integrated, with antenna                                        |
| EM06-E-Pckit             | All network 4G module, with Antenna (requires TAA-4252 M.2 adaptor and TBOX-SIMSLOT) |
| TDRK-BOX1-35             | Din 35 mount clip (1 set per unit)                                                   |

