

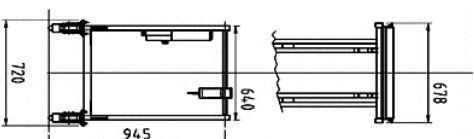
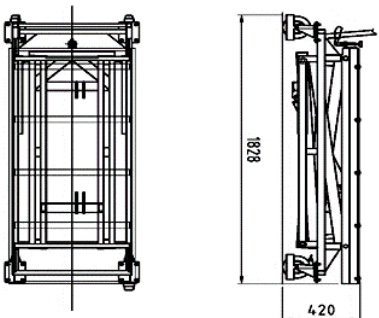
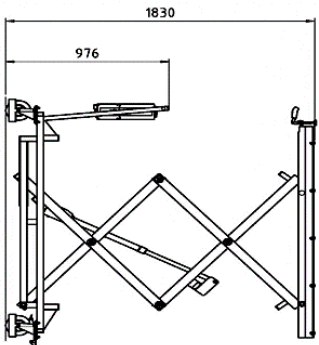
Features:

- Manually Activated System
- Flow Regulator to prevent the load to lower itself to quickly to prevent injury to operator after it has been lifted
- 304 Stainless
- 2 steering wheels / 2 standard
- Lifter is compatible with our 890mm wide tray



Model	Dimensions	Capacity
CEA34	2200 x 720 x 1830	300 Kg

Mortuary Lifter



Model	Capacity
CEA 41	225 Kg