

Model: LE30SF10DNO

## Features

Non contact detection, safe and reliable;

ASIC design;

Perfect choice for metallic targets detection;

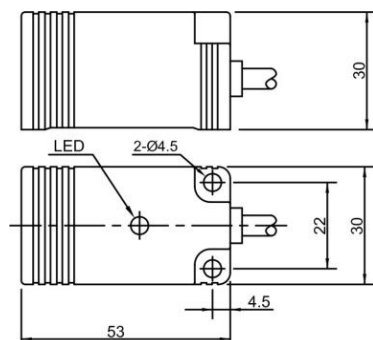
## Part Number

NPN NO	LE30SF10DNO	LE30SN15DNO	PNP NO	LE30SF10DPO	LE30SN15DPO
NPN NC	LE30SF10DNC	LE30SN15DNC	PNP NC	LE30SF10DPC	LE30SN15DPC
NPN NO+NC	LE30SF10DNR	LE30SN15DNR	PNP NO+NC	LE30SF10DPR	LE30SN15DPR

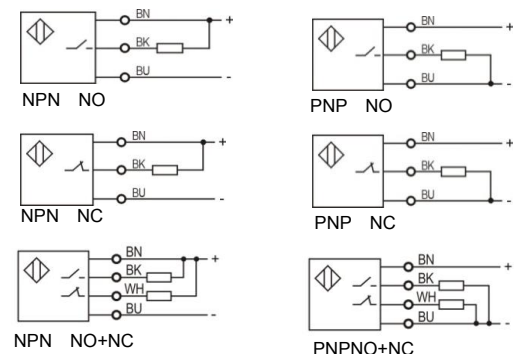
## Technical Specifications

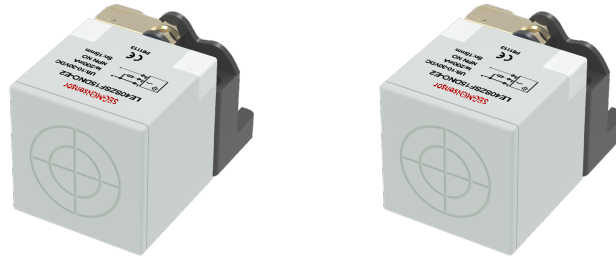
Mounting	Flush	Non-flush	Current consumption	≤10mA	
Reted Distance[Sn]	10mm	15mm	Circuit Protection	Short-circuit,overload and reverse polarity	
Assured Distance[Sa]	0...8mm	0...12mm	Output Indicator	Yellow LED	
Dimensions	30 *30*53mm		Ambient Temperature	-25°C..70°C	
Output	NO/NC(depends on part number)		Ambient Humidity	35-95%RH	
Supply Voltage	10...30VDC		Switching Frequency[F]	500 Hz	300 Hz
Standard Target	Fe 30*30*1t	Fe45*45*1t	Voltage Withstand	1000V/AC 50/60Hz 60S	
Switch-point Drifts[%/Sr]	≤±10%		Insulation Resistance	≥50MΩ(500VDC)	
Hysteresis Range[%/Sr]	1...20%		Vibration Resistance	10...50Hz(1.5mm)	
Repeat Accuracy[R]	≤3%		Degree of Protection	IP67	
Load Current	≤200mA		Housing Material	PBT	
Residual Voltage	≤2.5V		Connection Type	2m PVC cable	

## Dimensions



## Wiring Diagram





Model: LE40SZSN20ATC-E2

## Features

Non contact detection, safe and reliable;

ASIC design;

Perfect choice for metallic targets detection;

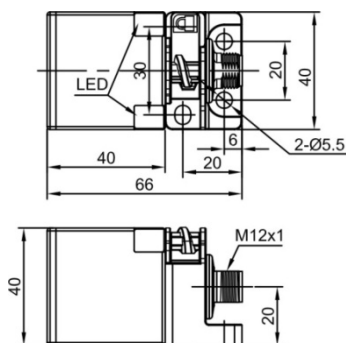
## Part Number

AC 2 wires NO	LE40SZSF15ATO-E2	LE40SZSN20ATO-E2	AC 2 wires NC	LE40SZSF15ATC-E2	LE40SZSN20ATC-E2

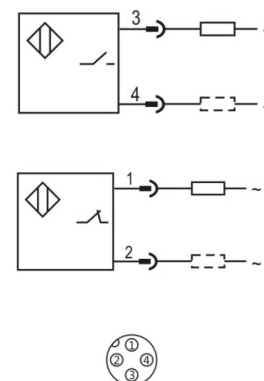
## Technical Specifications

Mounting	Flush	Non-flush	Current consumption	≤3mA
Reted Distance[Sn]	15mm	20mm	Circuit Protection	.....
Assured Distance[Sa]	0...12mm	0...16mm	Output Indicator	Yellow LED
Dimensions	40 *40*66mm		Ambient Temperature	-25°C..70°C
Output	NO/NC(depends on part number)		Ambient Humidity	35-95%RH
Supply Voltage	20...250V AC		Switching Frequency[F]	20 Hz                      20 Hz
Standard Target	Fe 45*45*1t	Fe 60*60*1t	Voltage Withstand	1000V/AC 50/60Hz 60S
Switch-point Drifts[%/Sr]	≤±10%		Insulation Resistance	≥50MΩ(500VDC)
Hysteresis Range[%/Sr]	1...20%		Vibration Resistance	10...50Hz(1.5mm)
Repeat Accuracy[R]	≤3%		Degree of Protection	IP67
Load Current	≤300mA		Housing Material	PBT
Residual Voltage	≤10V		Connection Type	M12 connector

## Dimensions



## Wiring Diagram





Model: LE68SN25ATC-E2

## Features

- Non contact detection, safe and reliable;
- ASIC design;
- Perfect choice for metallic targets detection;

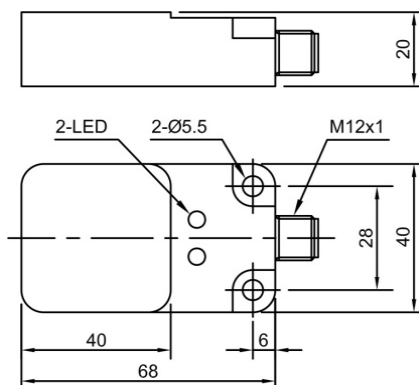
## Part Number

AC 2 wires NO	LE68SF15ATO-E2	LE68SN25ATO-E2	AC 2 wires NC	LE68SF15ATC-E2	LE68SN25ATC-E2

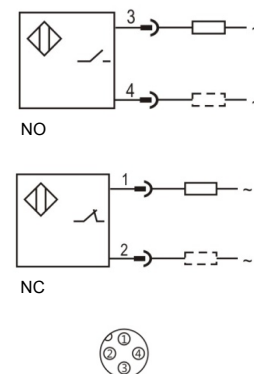
## Technical Specifications

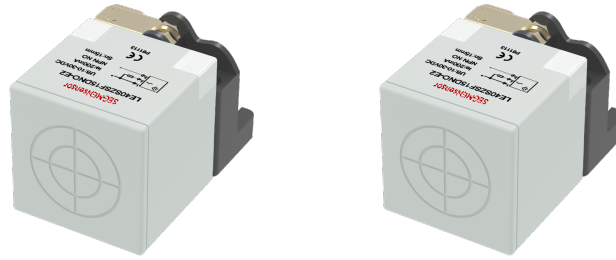
Mounting	Flush	Non-flush	Current consumption	≤3mA
Reted Distance[Sn]	15mm	25mm	Circuit Protection	.....
Assured Distance[Sa]	0...12mm	0...16mm	Output Indicator	Yellow LED
Dimensions	20*40 *68mm		Ambient Temperature	-25°C..70°C
Output	NO/NC(depends on part number)		Ambient Humidity	35-95%RH
Supply Voltage	20...250V AC		Switching Frequency[F]	20 Hz                      20 Hz
Standard Target	Fe 45*45*1t	Fe 75*75*1t	Voltage Withstand	1000V/AC 50/60Hz 60S
Switch-point Drifts[%/Sr]	≤±10%		Insulation Resistance	≥50MΩ(500VDC)
Hysteresis Range[%/Sr]	1...20%		Vibration Resistance	10...50Hz(1.5mm)
Repeat Accuracy[R]	≤3%		Degree of Protection	IP67
Load Current	≤300mA		Housing Material	PBT
Residual Voltage	≤10V		Connection Type	M12 connector

## Dimensions



## Wiring Diagram





Model: LE40SZSN20ATC-E2

## Features

Non contact detection, safe and reliable;

ASIC design;

Perfect choice for metallic targets detection;

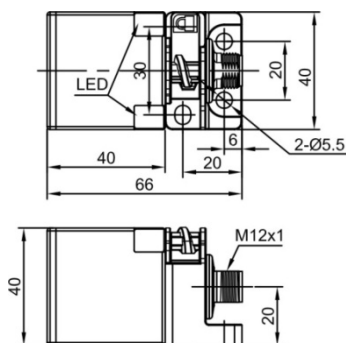
## Part Number

AC 2 wires NO	LE40SZSF15ATO-E2	LE40SZSN20ATO-E2	AC 2 wires NC	LE40SZSF15ATC-E2	LE40SZSN20ATC-E2

## Technical Specifications

Mounting	Flush	Non-flush	Current consumption	≤3mA
Reted Distance[Sn]	15mm	20mm	Circuit Protection	.....
Assured Distance[Sa]	0...12mm	0...16mm	Output Indicator	Yellow LED
Dimensions	40 *40*66mm		Ambient Temperature	-25°C..70°C
Output	NO/NC(depends on part number)		Ambient Humidity	35-95%RH
Supply Voltage	20...250V AC		Switching Frequency[F]	20 Hz                      20 Hz
Standard Target	Fe 45*45*1t	Fe 60*60*1t	Voltage Withstand	1000V/AC 50/60Hz 60S
Switch-point Drifts[%/Sr]	≤±10%		Insulation Resistance	≥50MΩ(500VDC)
Hysteresis Range[%/Sr]	1...20%		Vibration Resistance	10...50Hz(1.5mm)
Repeat Accuracy[R]	≤3%		Degree of Protection	IP67
Load Current	≤300mA		Housing Material	PBT
Residual Voltage	≤10V		Connection Type	M12 connector

## Dimensions



## Wiring Diagram

