

Datasheet

Stock Numbers: See table

# RS Pro LED Indicators (Pilot Lights)

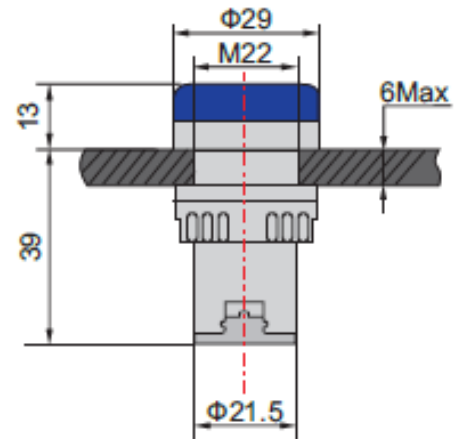
IP65 LED indicators utilise multi-chip technology to provide bright even colour. An aesthetically appealing design featuring single back of panel lock-nut and screw clamp terminals for easy mounting and connection



Colour options available:

**Technical data:**

Temperature Range	-25°C to +55°C
Relative Humidity	<=98%
Insulation Withstand	2.5Kv (ac) 1 min.
Insulation Resistance	≥2MΩ
Operating Voltage Range	Vn +20%
Operational Life	30,000 hrs
Brightness	>=60cd/m <sup>2</sup>
IP Rating	IP65
Frequency	AC 50-60Hz



RS Stock Number	Colour	Voltage	Cut out Diameter	Illumination Type	IP Rating	Terminal Type	Mounting Type
791-8579	White	12V	22mm	LED	IP65	Screw	Panel Mount
791-8573	Red	12V	22mm	LED	IP65	Screw	Panel Mount
791-8582	Green	12V	22mm	LED	IP65	Screw	Panel Mount
791-8585	Blue	12V	22mm	LED	IP65	Screw	Panel Mount
791-8589	Amber	12V	22mm	LED	IP65	Screw	Panel Mount
763-7905	White	24V	22mm	LED	IP65	Screw	Panel Mount
763-7909	Red	24V	22mm	LED	IP65	Screw	Panel Mount
763-7918	Green	24V	22mm	LED	IP65	Screw	Panel Mount
763-7911	Blue	24V	22mm	LED	IP65	Screw	Panel Mount
763-7915	Amber	24V	22mm	LED	IP65	Screw	Panel Mount
763-7924	White	110V	22mm	LED	IP65	Screw	Panel Mount
763-7927	Red	110V	22mm	LED	IP65	Screw	Panel Mount
763-7921	Green	110V	22mm	LED	IP65	Screw	Panel Mount
763-7930	Blue	110V	22mm	LED	IP65	Screw	Panel Mount
763-7933	Amber	110V	22mm	LED	IP65	Screw	Panel Mount
763-7937	White	230V	22mm	LED	IP65	Screw	Panel Mount
763-7946	Red	230V	22mm	LED	IP65	Screw	Panel Mount
763-7949	Green	230V	22mm	LED	IP65	Screw	Panel Mount
763-7943	Blue	230V	22mm	LED	IP65	Screw	Panel Mount
763-7952	Amber	230V	22mm	LED	IP65	Screw	Panel Mount