

CFI BLUE MOON Retarder Prover - Hand Load for Trays

Description

AFB, AFJ & AFV – Bakery Applications , hand load for trays

Products from the AFB, AFJ & AFV range are retarder prover cabinets, reduced to height with regard to the range AFB, designed to receive trays, grids or meshes of size 400 x 600; 400 x 800; 460 x 800

The range consists of several standard single compartment, 1-door models :

- 1 model AFJ46 : tray size 400 x 600 – C TOUCH Control Panel
- 1 model AFV 46 tray size 400 x 600 – C TOUCH Control Panel
- 1 model AFJ48 : tray size 400 x 800 – C TOUCH Control Panel
- 1 model AFB468 : tray size 460 x 800 – C TOUCH Control Panel
- All units standard as high-temp tropicalized unit (HTA)

A construction of quality, respectful of the environment

- In the standard version, each model is delivered fitted with a humidity generator, with a very efficient electronic probe.
- The 60mm-thick panels are injected to a density of 45kg/m³ by a high pressure injection machine (135 bar)
- The combination of the thickness and density of the rigid polyurethane foam insulating material has been specially designed according to operational requirements, thereby minimizing heat loss and energy consumption.
- Panel surfaces in 6/10ths galvanized steel covered with a food quality PVC film of 120µ
- Door seals in black magnetized TPE
- All interior fittings in 100% food quality 404 stainless steel
- AFV 46 unit has full glass door with built in light, and full stainless interior



AFJ and AFB Range



AFJ and AFB Range

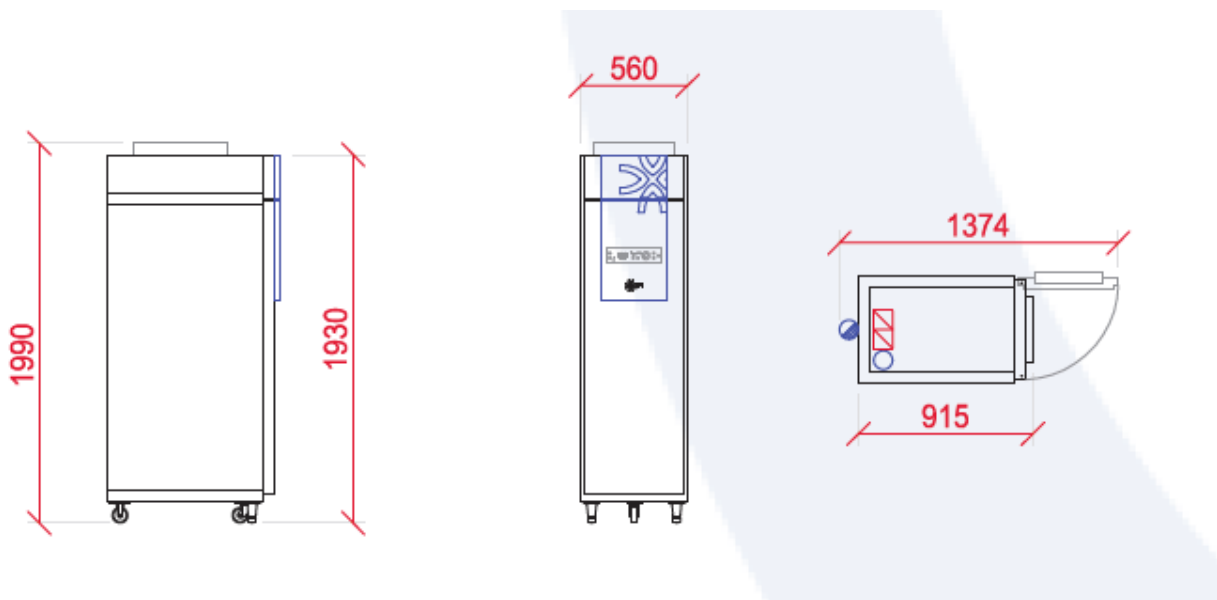


AFV 46



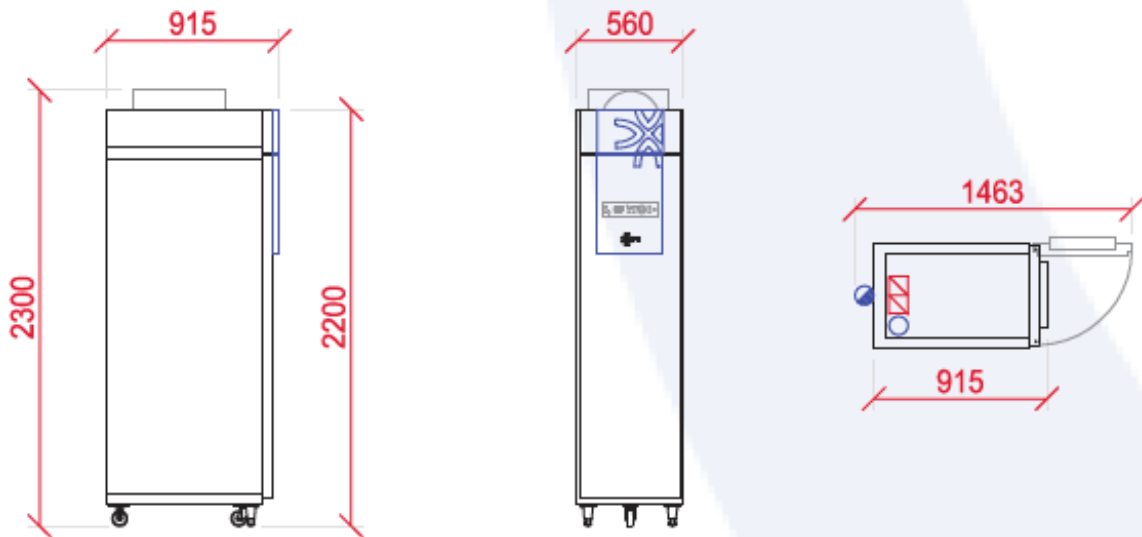
CFI BLUE MOON Retarder Prover - Hand Load for Trays

AFJ 46	TRAYS 400 x 600 HAND LOAD 1 Door Cabinet C TOUCH control panel		
AFJ 46 Retarder Proofer Cabinet 400 x 600 - 20 levels			
Size of Trays	400 x 600	No. of levels	20
No. of supports per level	1	Total no. of support	20
Spacing out of levels	63 mm	Adjustable every	21 mm
Tray entry direction	400	Level depth	600
Refrigerating unit	1 refrigerating unit of 1/4 CV	No. of doors	1
Refrigerating capacity at -10°C	0,45 KW	Fluid	R404A
Voltage	240V ~1PH+N+T	Frequency	50 HZ
Connecting electrical power	0,9 KW 5A	Connection	5 A



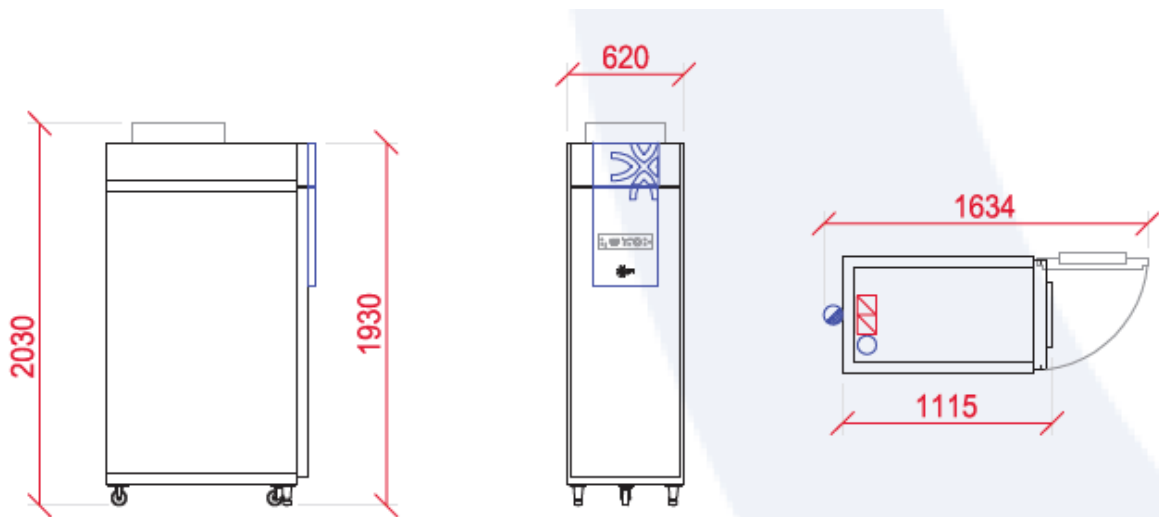
CFI BLUE MOON Retarder Prover - Hand Load for Trays

AFV 46	Trays 400 x 600 HAND LOAD With glass door & internal light, full interior stainless steel, C TOUCH control panel		
AFV 46 Retarder Proofer Cabinet 400 x 600 - 24 levels			
Size of Trays	400 x 600	No. of levels	24
No. of supports per level	1	Total no. of support	24
Spacing out of levels	63 mm	Adjustable every	21 mm
Tray entry direction	400	Level depth	600
Refrigerating unit	1/3 CV	No. of doors	1
Refrigerating capacity at -10°C	0,6 kW	Fluid	R404A
Voltage	240V	Frequency	50Hz
Connecting electrical power	0,9 KW	Connection	5 A



CFI BLUE MOON Retarder Prover - Hand Load for Trays

AFJ 48	Trays 400 x 800 HAND LOAD 1 Door Cabinet C TOUCH control panel		
AFJ 48 Retarder Proofer CABINET 400 x 800 - 20 levels			
Size of Trays	400 x 800	No. of levels	20
No. of supports per level	1	Total no. of support	20
Spacing out of levels	63 mm	Adjustable every	21 mm
Tray entry direction	400	Level depth	800
Refrigerating unit	1 refrigerating unit of 3/8 CV	No. of doors	1
Refrigerating capacity at -10°C	0,74 KW	Fluid	R404A
Voltage	240V ~1PH+N+T	Frequency	50 HZ
Connecting electrical power	0.9 KW	Connection	5 A



CFI BLUE MOON Retarder Prover - Hand Load for Trays

AFB 468	Trays 460 x 800 HAND LOAD 1 Door Cabinet - C TOUCH Control panel		
AFB 468 Retarder Proofer CABINET 460 x 800 - 24 levels			
Size of Trays	460 x 800	No. of levels	24
No. of supports per level	1	Total no. of support	24
Spacing out of levels	63 mm	Adjustable every	21 mm
Tray entry direction	460	Level depth	800
Refrigerating unit	1 refrigerating unit of 3/8 CV	No. of doors	1
Refrigerating capacity at -10°C	0,6 KW	Fluid	R404A
Voltage	240V ~1PH+N+T	Frequency	50 HZ
Connecting electrical power	0,9 KW	Connection	5 A

