

GTech Cyclones

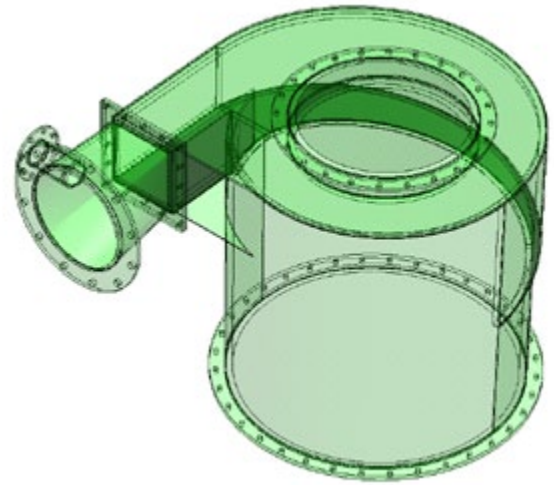
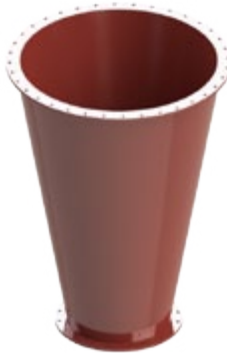
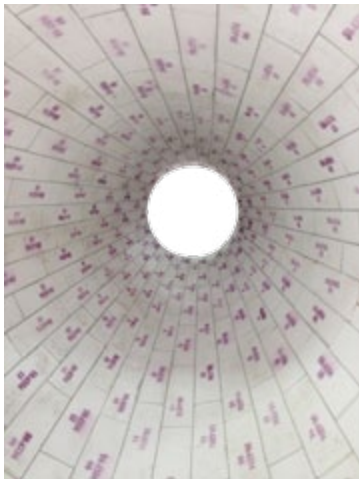
WEAR SOLUTIONS

Cyclones are an extremely fast and efficient way of separating materials based on density and size. HMA Wear Solutions specialises in the design and manufacture of superior lined ceramic equipment. Utilising our unique manufacturing equipment and processes ensures that our product exceeds industry expectations. The GTech range of Dense Medium (GTD) and Classification (GTC) Cyclones is the accumulation of such experience, offering superior cyclone performance throughout its operating life with process guarantees to support this.

ADVANTAGES

The advantages of the GTech range of cyclones include:

- Superior Cyclone and Lining Design
- High Separation Efficiency
- Optimal Ceramic Selection
- Reduced Operating Costs
- Engineered Tiles and Monolithics
- Ongoing Technical Support



FEATURES

The features of the GTech range of cyclones include:

- Scrolled Evolute Inlet – High separation efficiency, reduced wear and increased operating capacities
- Parallel Throat Spigot – Ensures 'as new' spigot ID is maintained for longer, thus ensuring optimal performance
- Optimal Ceramic Selection – Maximises operating life of the component

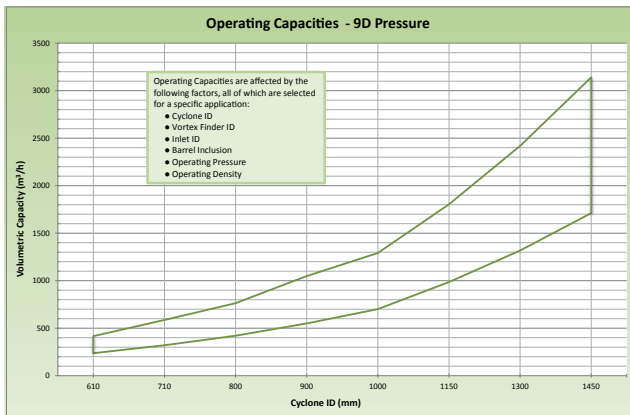
HMA Wear Solutions supplies cyclone components in a range of abrasion resistant materials such as:

- Engineered Alumina Tiles
- Alumax Monolithics
- SiTech
- 27% Chrome
- Polyurethane

HMA Wear Solutions can also offer the application of AeroTech, a ceramic bonding system that eliminates adhesive failure due to vibration and delamination from the metal substrate. In applications where tramp impact or harsher operating conditions are experienced, AeroTech extends the tile lining performance, and provides a more consistent and predictable operating life.



HMA Wear Solutions offer ongoing technical support for all of our installations and refurbishments. Our experience in wear linings ensures that we can find a solution for any problem areas. We are able to assist clients in achieving maximum value from their plant operations and in particular their cyclone.



HMA Wear Solutions can also offer Asset Monitoring and Reporting, ensuring that we maintain both yours and our asset. We can monitor the wear of the critical components and predict component change outs based on documented wear rates.



APPLICATIONS

HMA Wear Solutions can provide you with your complete cyclone solution, including:

- Cyclone Sizing and Selection
- Cyclone Refurbishments
- Conceptual Layout Designs
- Approved Manufactured Drawings
- Certified Structural Drawings
- Installation Cradles (GTD)
- Launderers
- Pipework
- Installation and Supervision
- Configurations to suit all Applications

