



ROTO 70.24



MERLO

PERFORMANCE AND FEATURES
ROTO 70.24 S
ROTO 70.24 S PLUS
PERFORMANCE

Total unladen weight (kg)	19500	20200	
Maximum capacity (kg)	7000	7000	
Lifting height (m)	24,2	24,2	
Maximum reach (m)	20,5	20,5	
Maximum operating height (m)	7,4	7,4	
Maximum operating reach (m)	5,9	5,9	
Capacity at maximum height (kg)	3000	3000	
Capacity at maximum reach (kg)	900	900	
Lateral boom movement (mm)	-	-	
Tilting correction (%)	± 12; ± 4	± 12; ± 4	
Boom sections	4	4	

POWERTRAIN

Turbo motor	FPT NEF45	FPT NEF45	
Displacement/cylinders	4500/4	4500/4	
Engine Power (kW/HP)	125/170	125/170	
Anti-pollution technology	STAGE V, DOC + DPF+ SCR	STAGE V, DOC + DPF+ SCR	
Reversible fan	-	-	
Maximum speed (km/h)	40	40	
Fuel tank (l)	150	150	
AdBlue tank (l)	43	43	
Hydrostatic transmission	● - 2V	● - 2V	
EPD	●	●	
Auto-revving joystick	●	●	
Axles - Reducers	Axial, Epicyclic	Axial, Epicyclic	
Machine brakes	Dry discs	Dry discs	
Automatic parking brake	●	●	

HYDRAULIC

Hydraulic pump	LS + FS	2 - LS + FS	
Flow rate/pressure (l/min – bar)	138 - 250	138+100 - 250/230	
Hydraulic tank	120	120	
Hydraulic outlet at the top of the boom	●	●	
Rear hydraulic outlets	-	-	

CAB

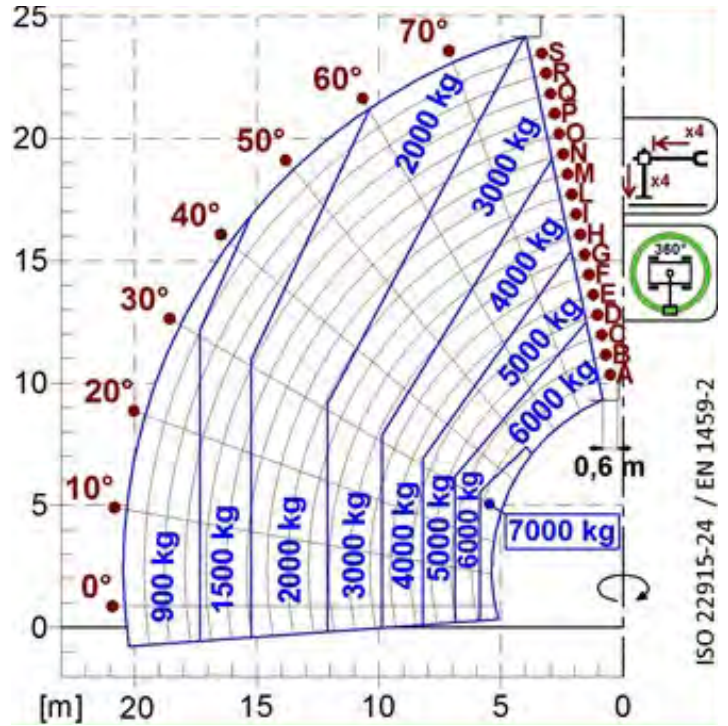
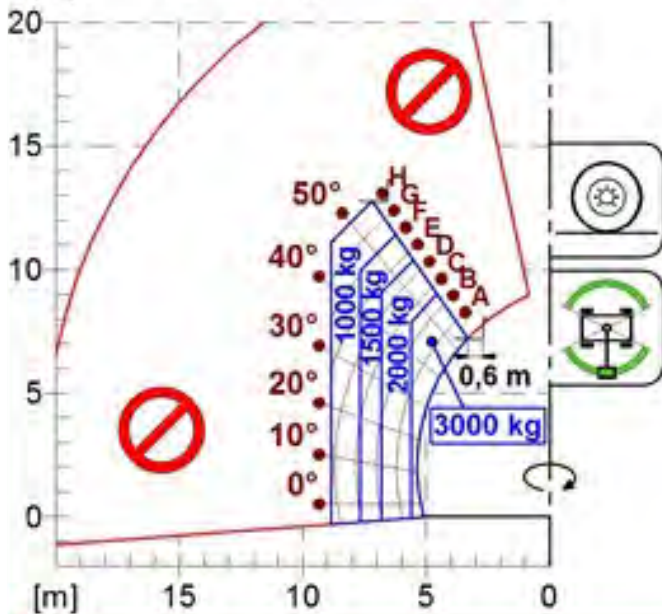
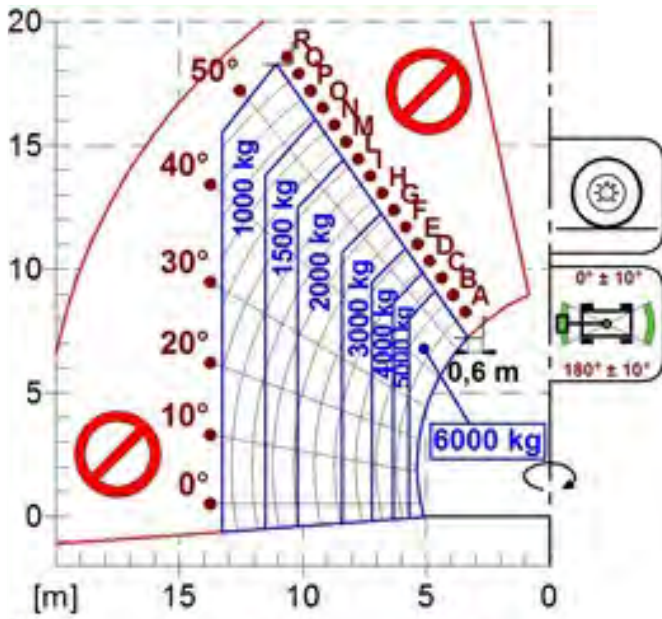
Cab configuration	Premium	Premium	
ASCS Adaptive Stability Control System	Full	Full	
FOPS LIV II cab	●	●	
ROPS cab	●	●	
Cab commands	Electronic joystick control	Electronic joystick control	
Tilting Cab	-	●	
Reverse shuttle	Dual Reverse	Dual Reverse	

CONFIGURATION

Cab suspension	-	-	
Boom suspension	○	○	
Suspension on axles	●	●	
Work headlights on cab	○ - Led	○ - Led	
Sun blind	●	●	
Tac-lock	●	●	
Provision for a platform	●	●	
Two floating forks	●	●	
Inching-Control	-	-	
Four-wheel drive	●	●	
Four-wheel steering	●	●	
Three steering modes	●	●	
Standard tyres	445/65-R22.5	445/65-R22.5	
Optional tyres	-	-	
Stabilisers	Multiposition	Multiposition	
Turret rotation	continuous	continuous	
Type approval as an agricultural tractor	-	-	
Approval with PNEUMATIC braking	-	-	
Approval with HYDRAULIC braking	-	-	
PTO	-	-	
3-point linkage	-	-	

- Not Available. ● standard. ○ optional.

LOAD CHARTS

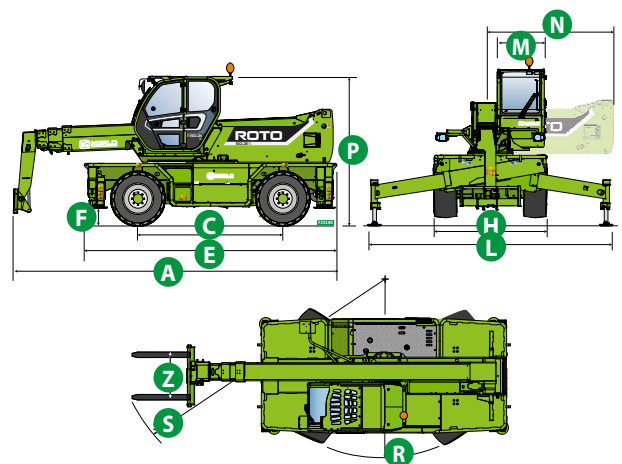


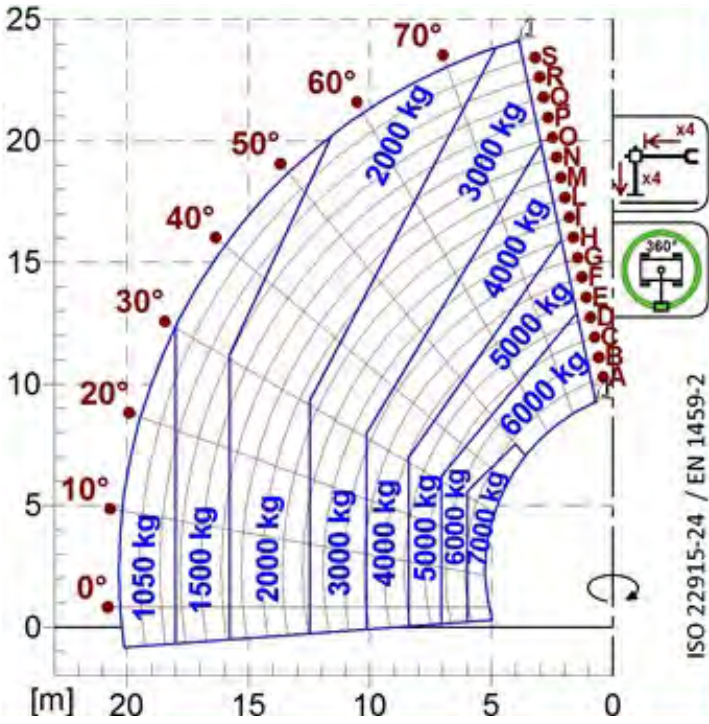
ISO 22915-24 / EN 1459-2

ROTO70.24

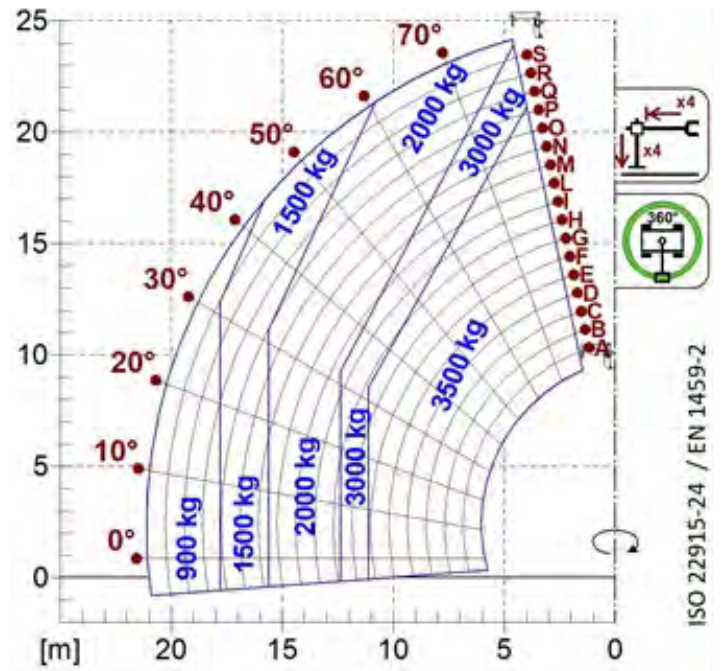
DIMENSIONS

	ROTO 70.24		
A (mm)	7545		
C (mm)	3200		
E (mm)	5620		
F (mm)	290		
H (mm)	2490		
L (mm)	5260		
M (mm)	1010		
N (mm)	3170		
P (mm)	3160		
R (mm)	4500		
S (mm)	6770		
Z (mm)	850		

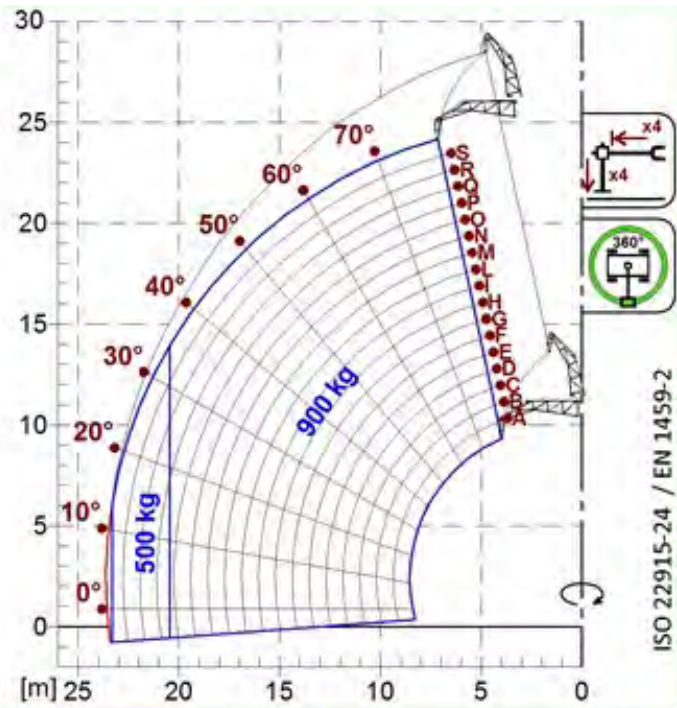




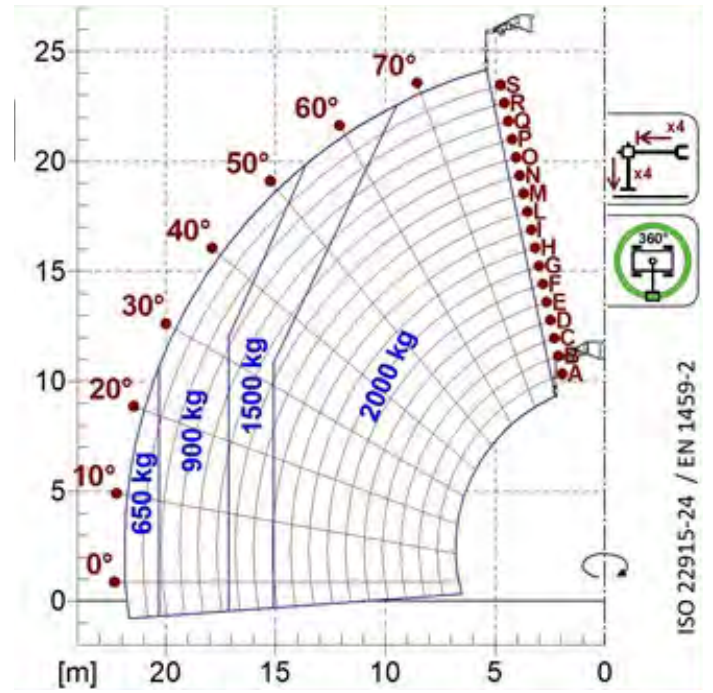
A1001



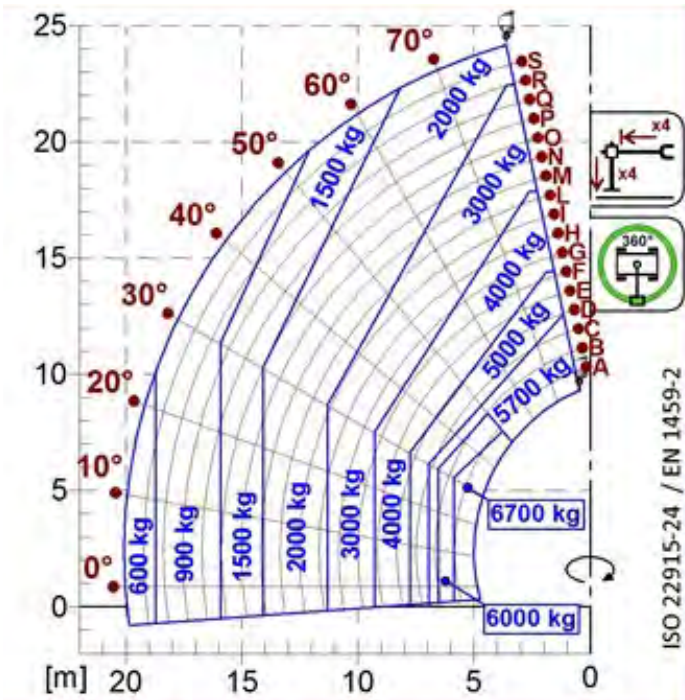
A1119B



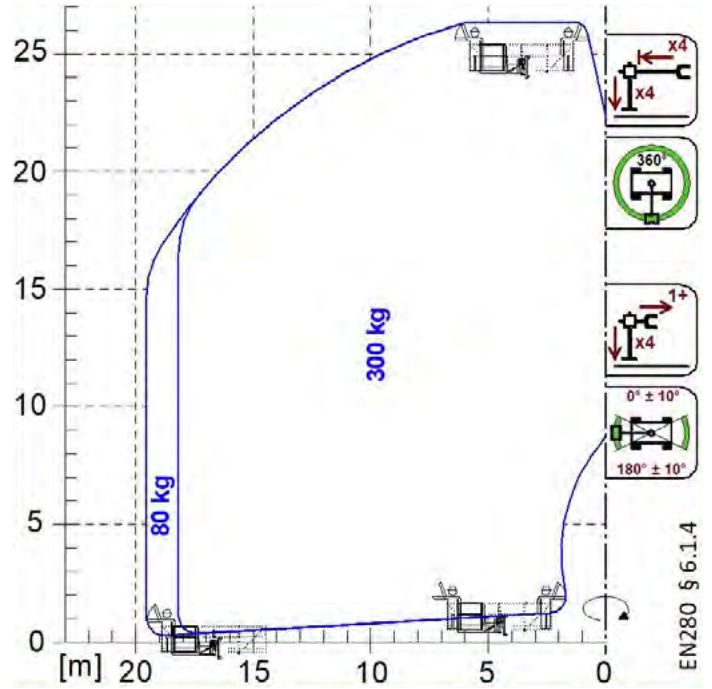
A1220B
A1320B



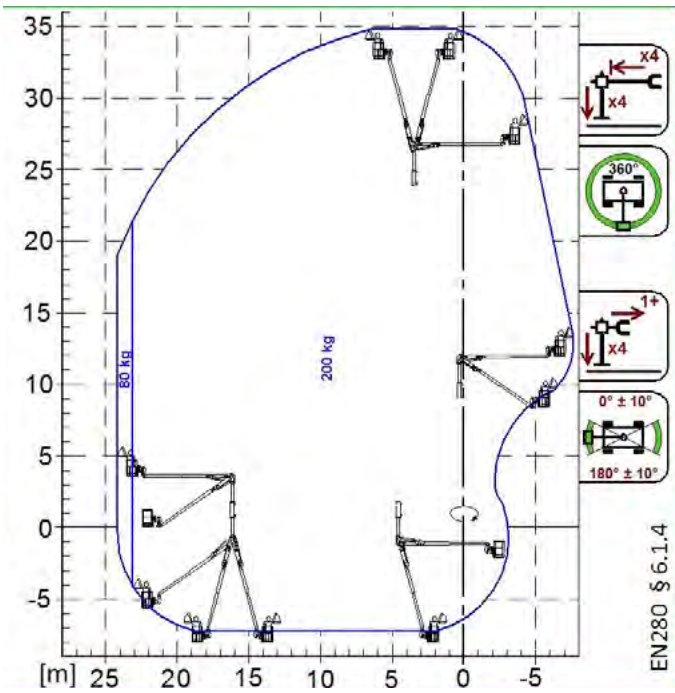
A1321B



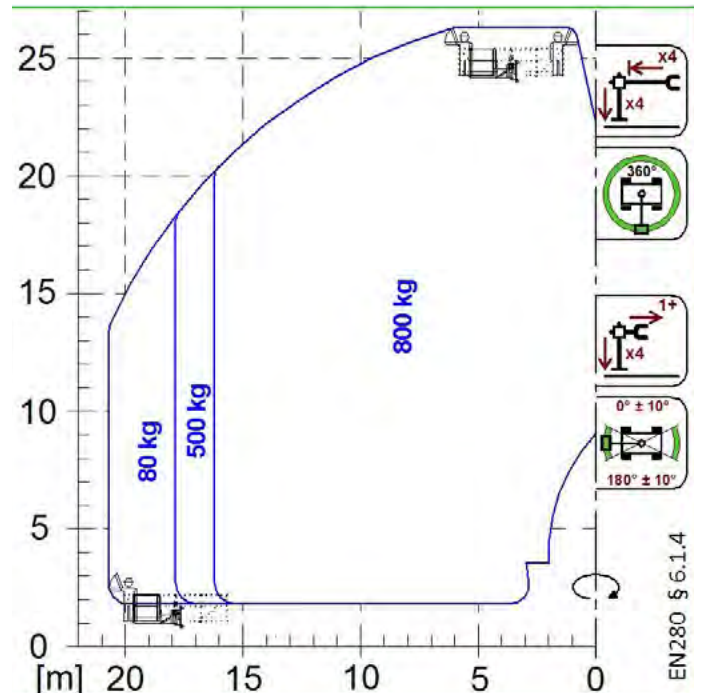
A2768
A2769



A1827A
A1839A



A1873A



A1831A



MERLO S.P.A.
Via Nazionale, 9
12010 S. Defendente di Cervasca
(Cuneo) Italia
Tel. +39 0171 614111
Fax +39 0171 684101

info@merlo.com
www.merlo.com

Your Merlo dealer

DS_ROT07024_0621_ENG