

Value IP Series Network Camera

2MP, H265, IR & WDR

Quick Installation Guide



EHN1250-S



EBN1240-S



Copyright © EverFocus Electronics Corp.

Release Date: March, 2020

All the images including product pictures or screen shots in this document are for example only. The images may vary depending on the product and software version. Information contained in this document is subject to change without notice.

EverFocus Taiwan:

2F., No.12, Ln. 270, Sec. 3, Beishen Rd., Shenkeng Dist., New Taipei City 222, Taiwan

TEL: +886 2 2662 2338 FAX: +886 2 2662 3632 www.everfocus.com.tw

1. Physical Description

EHN1250-S



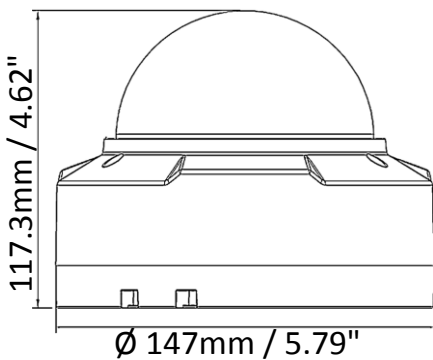
EBN1240-S



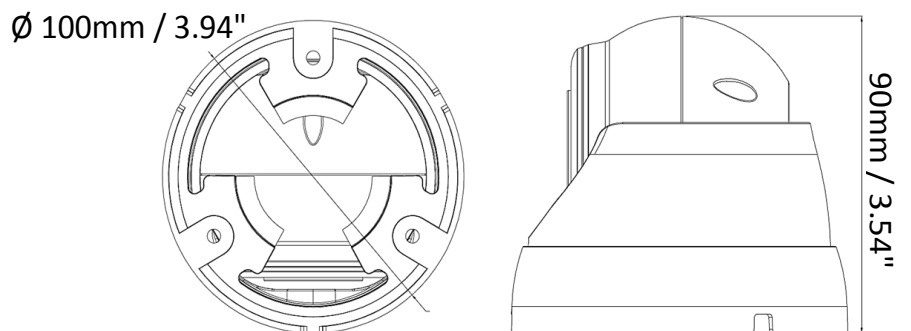
No.	Item Name	Descriptions
1	Light Sensor	Detects lights.
2	IR LEDs	IR LEDs for infrared illumination in night vision applications.
3	Lens	Camera lens.
4	Micro SD Card Slot	Insert a micro SD card.

Dimensions

EHN1250-S



EBN1240-S



Packing List

Please check that there is no missing items in the package before installing.

EHN1250-S	EBN1240-S
<ol style="list-style-type: none">1. Camera x 12. MAC Address Sticker x 23. Cable Gland Kit x 14. Screw x 45. Screw Anchor x 46. Desiccant Bag x 17. Torx Wrench x 18. Mounting Sticker x 19. Quick Installation Guide x 1	<ol style="list-style-type: none">1. Camera x 12. MAC Address Sticker x 23. Cable Gland Kit x 14. Screw x 35. Screw Anchor x 36. Quick Installation Guide x 17. Mounting Sticker x 1

Note:

1. Equipment configurations and supplied accessories vary by country. Please consult your local EverFocus office or agents for more information. Please also keep the shipping carton for possible future use.
2. Contact the shipper if any items appear to have been damaged in the shipping process.

Optional Accessory

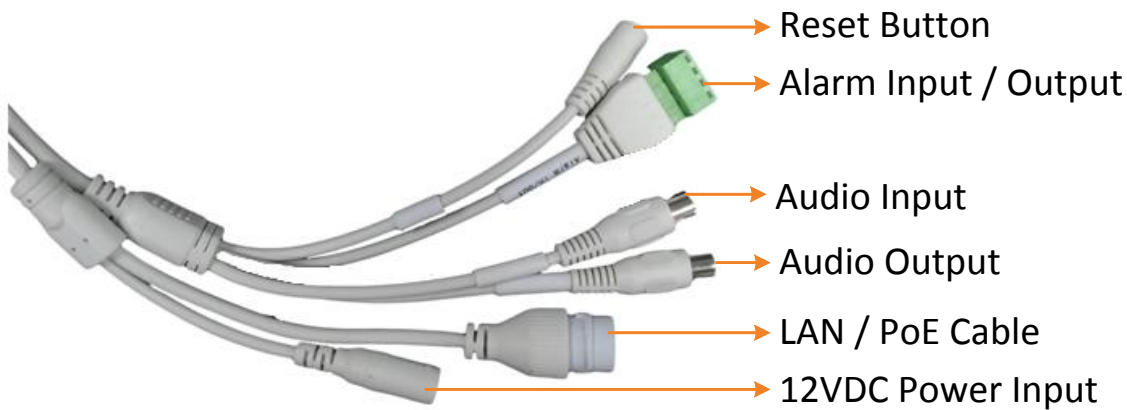
You can go to the product page on EverFocus' website to check the related optional accessories. www.everfocus.com.tw

2. Cables

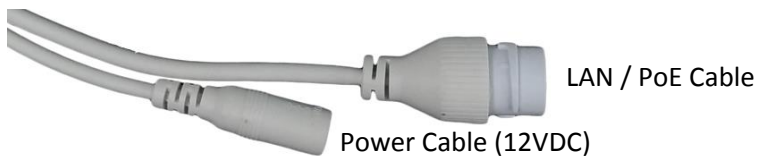
The cables provide connections for network, power, audio input / output and alarm input / output. A Reset Button Cable is also provided. Please be noted that microphones / speakers with a (built-in) amplifier and external power supply are required.

Note: To activate Audio function, the **Audio** function must be enabled. Please refer to *5.5.2 Video Streaming* in the User's Manual.

EHN1250-S



EZN1240-S



Alarm IO PIN Assignment



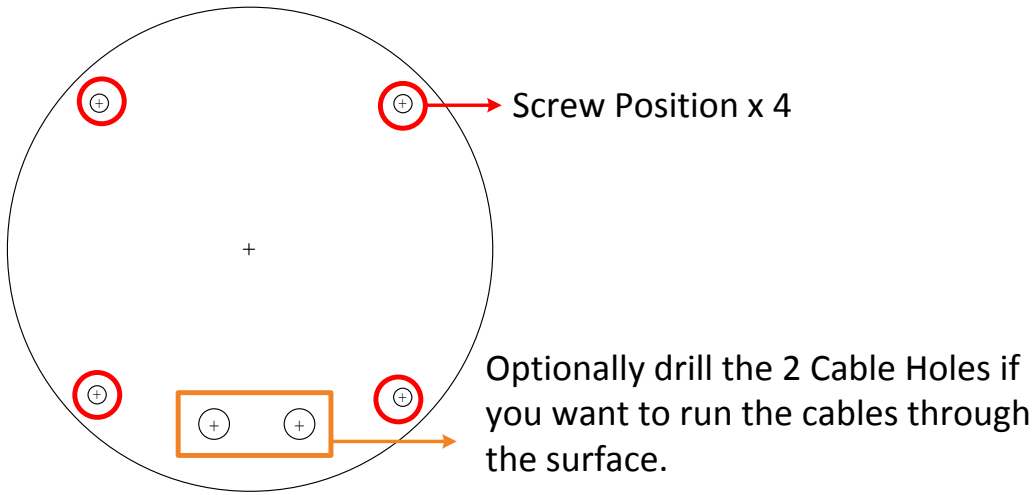
Reset Button

The **Reset Button** can be used to restore the camera to factory default. When the camera is powered up, press the **Reset Button** about 8 seconds to reboot the camera.

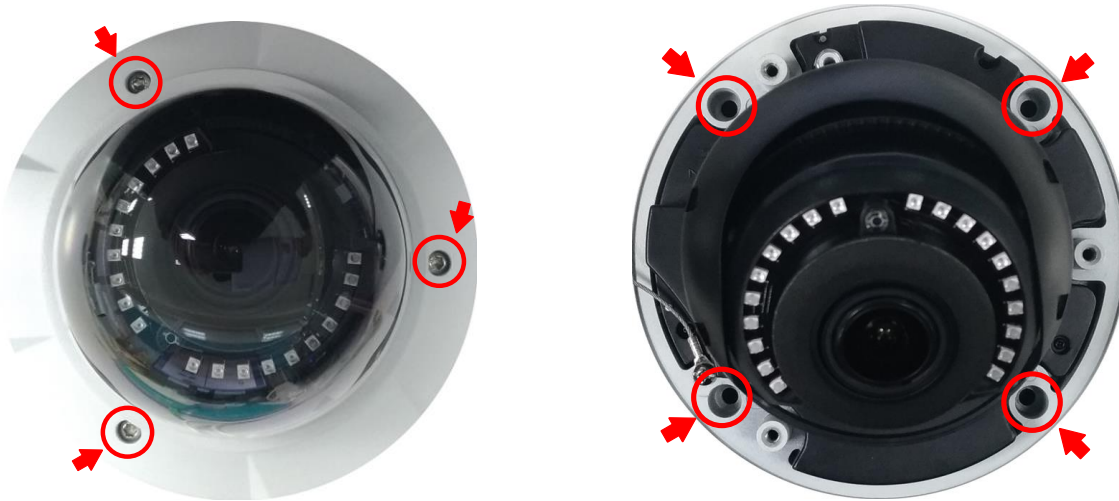
3. Installation

3.1 EHN1250-S

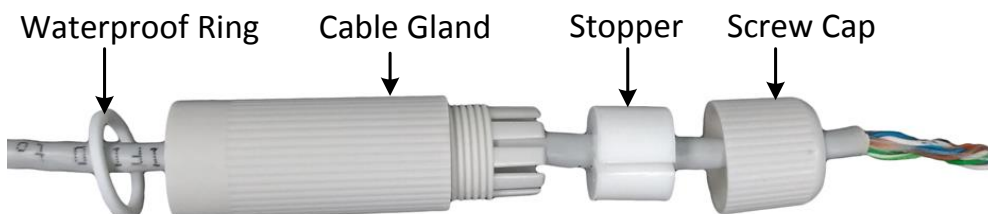
1. Stick the supplied **Mounting Sticker** on the surface to mark the 4 screw positions. Drill the 4 screw-depth holes on the surface and then push the supplied 4 **Screw Anchors** into the screw holes. Optionally drill the bottom 2 Cable Holes if you want to run the cables through the surface.



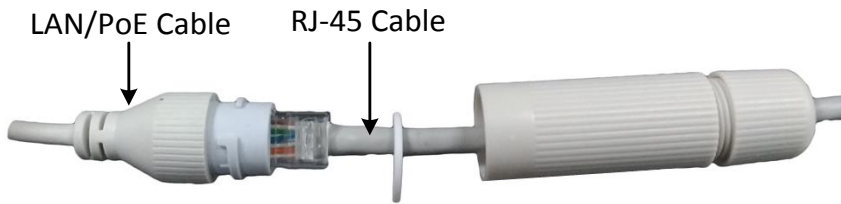
2. Remove the camera cover by unscrewing the 3 cover screws using the supplied **Torx Wrench** (Left Image). Screw the camera base to the surface using the supplied 4 **Screws** (Right Image).



3. Optionally insert a micro SD card into the card slot (please refer to *1. Physical Description*).
4. Adjust the pan / tilt / rotate angles of the camera.
5. Connect the camera to power. You can either connect the camera to a 12VDC power source or to a PoE switch using the PoE cable.
6. Connect the camera to the network using the supplied **Cable Gland Kit**.
 - a. Insert a RJ-45 network cable (without the RJ-45 connector on the one end) through the supplied **Waterproof Ring, Cable Gland, Stopper** and **Screw Cap** accordingly.



b. Connect the RJ-45 cable to the **LAN/PoE Cable** of the camera.

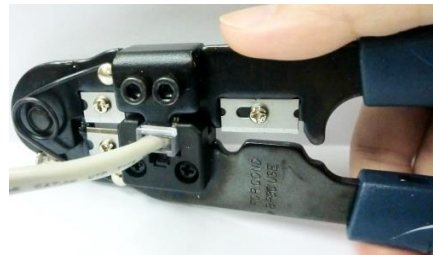


c. Tightly screw the **Cable Gland** and **Screw Cap** to the Rugged RJ-45 Connector Cable.



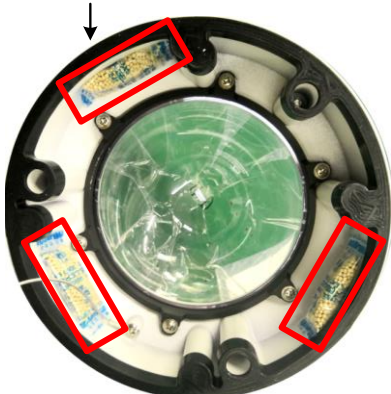
d. Crimp the RJ-45 connector onto the RJ-45 network cable. Note that the wires should be placed into the RJ-45 connector based on the following order (from left to right).

- Orange with white stripe
- Orange
- Green with white stripe
- Blue
- Blue with white stripe
- Green
- Brown with white stripe
- Brown



7. Before screwing back the camera cover, remove the 3 old desiccant bags from the inside of Camera Cover and replace them with the supplied Desiccant Bag. Screw the camera cover back to the camera.

Remove the 3 desiccant bags



Stick the supplied desiccant bag



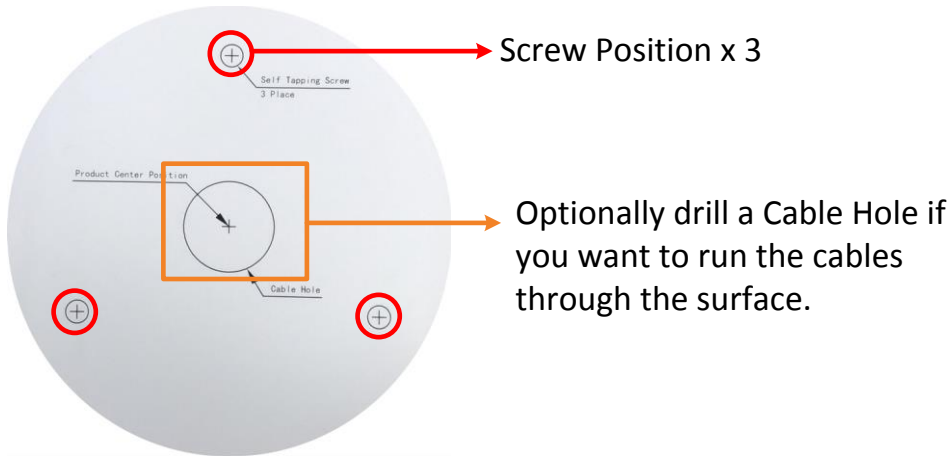
Note: Please screw back the Camera Cover immediately in case of reducing the absorption capacity of the desiccant bag inside the camera body.

8. Now you can access the camera live view. See 4. *Accessing the Camera*.

3.2 EBN1240-S

1. Stick the **Mounting Sticker** on the surface to mark the 3 screw positions. Drill 3 screw-depth holes on the surface and then push the supplied 3 **Screw**

Anchors into the holes. Optionally drill a Cable Hole on the center if you want to run the cables through the surface.



2. Twist the Outer Housing counterclockwise and then remove the Outer Housing.



Twist Outer Housing counterclockwise



Remove the Outer Housing

3. Before screwing the Camera Base to the surface, thread the cables either from the side-cut of the Camera Base or through the surface.

4. Screw the Camera Base to the surface using the supplied 3 **Screws**.



5. Place the camera body back to the Camera Base and twist back the Outer Housing. Do not twist the Outer Housing too tight as you will have to adjust camera angles while viewing camera live view.

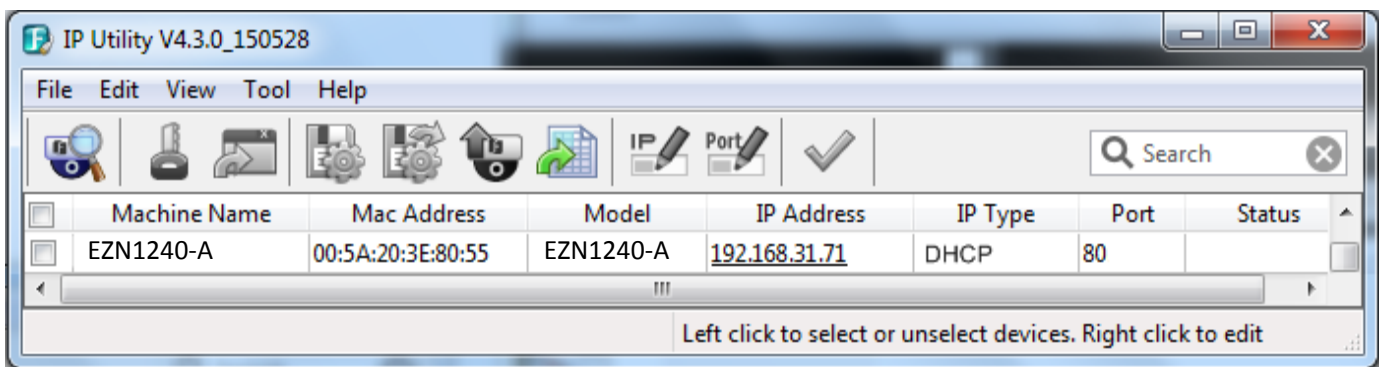
6. Connect the camera to the network using the supplied **Cable Gland Kit**. *Please refer to 3.1.6*
7. Connect the camera to power. You can either connect the camera to a 12VDC power source or to a PoE switch using the PoE cable.
8. Access the camera live view. See 4. *Accessing the Camera*.
9. Adjust camera angles and then tightly twist back the Outer Housing.

4. Accessing the Camera

You can look up the IP address of the IP camera using the **IP Utility (IPU)** program, which is included in the software CD.

The default IP mode of the IP camera is DHCP. However, if there is no dynamic IP address assigned to the device, its IP will switch to 192.168.0.10

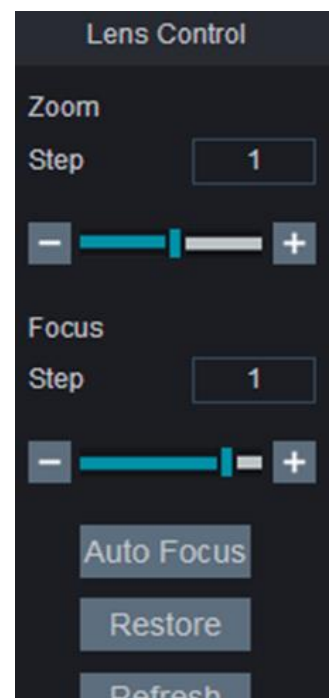
By default, the ID is **admin** and there is no password. Please input a password for the first-time login.



5. Important Note for Motorized Lens Models

For motorized lens models (EHN1250-S), if you find the live image out of focus, please try the instructions below:

1. Go to the Live page and open the **Lens Control** panel (see image on the right).
2. Click the **Restore** button for the lens to restore to the default position, and then click the **Auto Focus** button.
3. If the image is still out of focus, adjust the focus by clicking the Focus “+” or “-” buttons.



P/N: 4605H125002001A