

SI-334

Mid-Range Signage Player

AMD Ryzen™ Embedded V2000 Series Signage Player
with AMD Vega GPU and Four HDMI



Features

- AMD Ryzen™ Embedded V2000 Series Processors
- Vega GPU with up to 7 Compute Units
- 4x HDMI 2.0 with independent audio output support
- iSMART intelligent energy-saving & Observer remote monitoring technologies
- Built-in CEC and hardware EDID emulation functions with the software setting mode
- 2x DDR4-3200 SO-DIMM, dual channel, Max. 64GB
- 1x M.2 B-Key for 5G or LTE options
- 1x M.2 E-Key for Wi-Fi, Bluetooth or capture card options
- 1x M.2 M-Key for storage
- Supports TPM 2.0 and watchdog timer
- Slim and segregated flow ventilation design

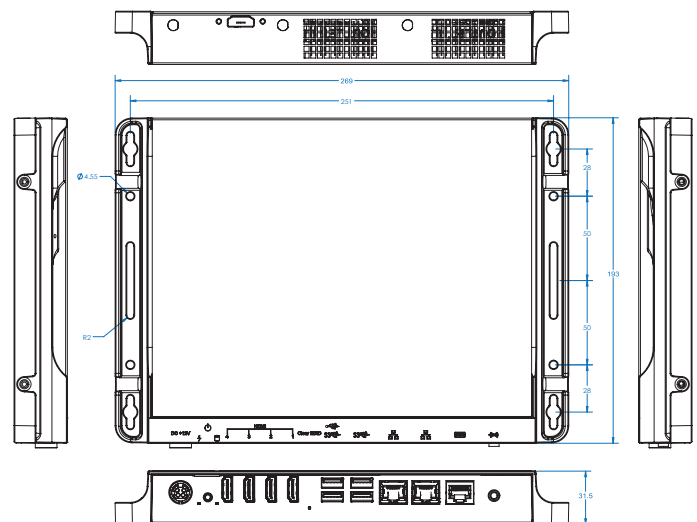
Specifications

System Mainboard	MBD334
CPU	AMD Ryzen™ Embedded V2000 Series Processors
CPU Socket	FP6 BGA package, 25mm x 35mm
Chipset	SoC integrated
Memory	2x DDR4-3200, SO-DIMM, Dual channel, Max. 64GB
Graphics	Next-gen AMD Vega GPU integrated
LAN	2x Realtek RTL8111H-CG Gigabit LAN controller
Expansion Slots	1x M.2 E-Key (2230) 1x M.2 B-Key (3052) 1x UIM/SIM card slot
I/O Interface	4x HDMI 2.0 with hardware EDID emulation & CEC function 3x USB 3.1 @gen 2 (USB Type-A) 2x RJ45 for Gigabit LAN 1x RJ45 for RS-232 serial port 1x Audio connector for Line-out 1x Power button 1x Power jack (+12V DC) 2x Power/HDD LED
Auto Control and Monitoring	Watchdog Timer: 256 segments, 0, 1, 2...255 (sec/min)
Power Requirement	+12V DC-in
Construction	Aluminum + SGCC
Weight	2.1 kgs (4.63 lbs)
Chassis Color	Black & white
Storage	1x M.2 M-Key (2280)
Power Supply	150W power adaptor
Mounting	Slim design with wall mounting holes
Dimensions	269mm(W) x 193mm(D) x 31.5mm(H) 10.59"(W) x 7.59"(D) x 1.24"(H)
Operating Temperature	0°C ~ 45°C (32°F ~ 113°F)
Storage Temperature	-20°C ~ 80°C (-4°F ~ 176°F)
Relative Humidity	10%~90% (non-condensing)
Vibration	M.2: 5 grms / 5~500Hz / random operation
Certification	CE, FCC Class B, UKCA, cULus, CCC
Operating System	Win10 IoT Enterprise(64-bit) Linux Ubuntu(64-bit)

Ordering Information

SI-334	Signage Player with MBD334 w/ AMD Ryzen™ Embedded V2748 4.25GHz/2.9GHz; 2x 4GB DDR4-3200 SO-DIMM, M.2 128GB, 150W power adaptor
SI-334-46	Signage Player with MBD334 w/ AMD Ryzen™ Embedded V2546, 3.95GHz/3.0GHz; 2x 4GB DDR4-3200 SO-DIMM memory, M.2 128GB, 150W power adaptor
SI-MK3A	Mounting bracket for SI-304/SI-122-N/SI-313/SI-313-N/SI-324/SI-613/SI-623/SI-334 series
SI-1U-AD	1U Rackmount kit
HDMI Cable Holder	SI-334 HDMI bracket kit

Dimensions



Backplane
Systems
Technology

Backplane Systems
Technology Pty Ltd

TEL 02 9457 6400
sales@backplane.com.au
www.backplane.com.au