



HIGH-EFFICIENT HARDMOUNT INDUSTRIAL WASHER-EXTRACTORS

IA80
8KG

IA105
11KG

IA135
14KG

FEATURES

- Rigid mounted, normal spin, 100G factor
- Stainless steel top and front panel, black side panels
- Stainless steel drum and tub
- Aries - easy to use microprocessor
- Patented soap hopper
- Large drain valve (Ø 76 mm)
- Easy access to all vital parts from the front
- Large door opening for easy loading & unloading

STANDARD OPTIONS

- 175G factor execution
- Aries Standard
- Coin operated timer
- Stainless steel side panels
- USB plug (on the back panel)
- Liquid soap connection
- Liquid soap pumps
- Water recovery kit
- Steam heating version
- Drain pump (IA80)
- 3rd water inlet



ERGONOMICAL
CONSTRUCTION



LARGE DOOR
OPENING



LOW WATER
CONSUMPTION



LOW ENERGY
CONSUMPTION

Speak with a Laundry Specialist

t: 1300 222 119

e: info@aqualogic.com.au

w: aqualogic.com.au/contact

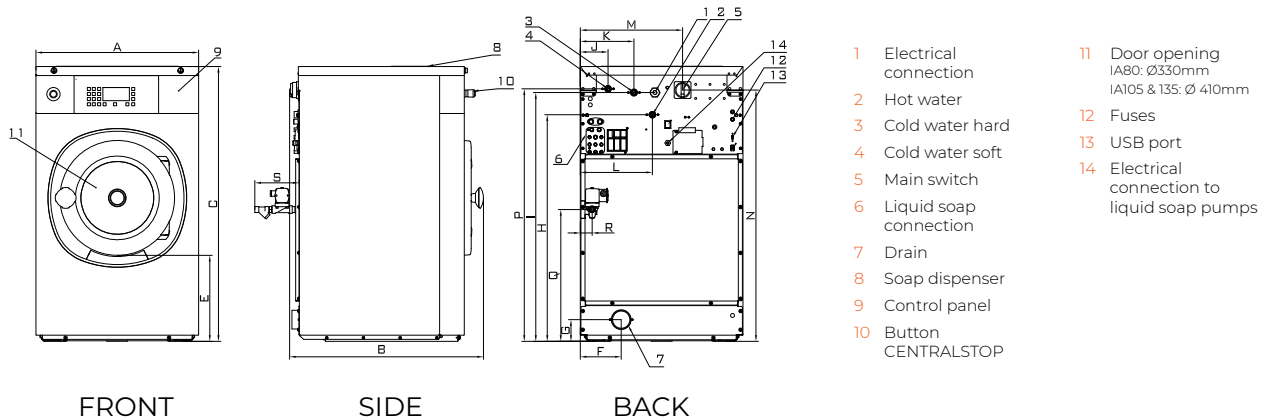
 **Aqualogic**

	IA80	IA105	IA135
INNERDRUM			
CAPACITY 10:1 (KG)	8	11	14
CAPACITY 9:1 (KG)	9	12	15
VOLUME (L)	75	105	135
DIAMETER (MM)	530	620	620
DRUM SPEED			
WASH (RPM)	50	46	46
EXTRACTION (RPM)	580 (100G) - 770 (175G)	540 (100G) - 710 (175G)	540 (100G) - 710 (175G)
G-FACTOR	100 (optional 175)	100 (optional 175)	100 (optional 175)
HEATING			
ELECTRICITY (KW)	6	9	12
STEAM (BAR)	1 - 8	1 - 8	1 - 8
HOT WATER (°C)	90	90	90
SOUND PRESSURE LEVEL (DB) (A)	< 65	< 65	< 65
WATER VALVES CONNECTION (BSP)	3/4"	3/4"	3/4"
WATER PRESSURE (KPA)	100-800	100-800	100-800
REC. WATER PRESSURE (KPA)	300-500	300-500	300-500
WATER INLET (L/MIN)	20	20	20
DRAIN VALVE OUTER (MM)	Ø 76	Ø 76	Ø 76
Flow Amount With Drain Valve (L/MIN)	210	210	210
STEAM VALVE CONNECTION (BSP)	1/2"	1/2"	1/2"
STEAM PRESSURE (KPA)	100-800	100-800	100-800
TRANSPORT DATA			
GROSS WEIGHT (KG)	145	185	200
NET WEIGHT (KG)	135	170	190
PACKING DIMENSIONS H x W x D (MM)	1245 x 710 x 835	1355 x 800 x 835	1355 x 800 x 950

	A	B	C	D	E	F	G	H	I	J	K	L	M	N	O	P	Q	S
IA80	660	785	1115	676	349	166	88	920	1010	113	218	293	415	1020	1025	535	48	180
IA105	750	785	1225	676	342	225	98	1030	1120	113	218	338	505	1130	1135	480	42	192
IA135	750	900	1225	788	342	225	98	1030	1120	113	218	338	505	1130	1135	480	42	192
	width	depth	height															

	IA80
Water consumption	7,2 L/kg
Electricity consumption	0,19 kWh/kg

* Programme No. 11



Speak with a Laundry Specialist

t: 1300 222 119

e: info@aqualogic.com.au

w: aqualogic.com.au/contact

