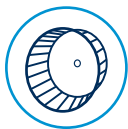


# 9KG FRONT LOAD DRYERS



## MDE28 AND MDG28



### TURBOVENT® SYSTEM

- A high-speed blower wheel optimizes performance in long vents
- High airflow helps reduce drying times for a wide variety of loads
- Helps to increase efficiency and number of cycles over the life of the machine



### MICROPROCESSOR CONTROLS

- Easy-to-read diagnostics assist with quick identification of an issue helping to get the machine back into service
- Flexible pricing options for owners to maximize profitability
- End users have option to select ideal cycle for individual drying needs with simple one touch cycle selection
- Easy-to-read Time Remaining Digital Display informs users of cycle times to help reduce bottlenecks



### LARGE CAPACITY

- 9kg capacity dryer helps allow for large loads to be dried efficiently and effectively
- Delivers an optimal drying experience for users and helps maximise productivity



### BUILT TO LAST

- Porcelain enamel top — a durable finish that stands up to the demands of high-traffic
- Front-panel accessibility — provides fast entry to internal components for streamlined self-service
- Extra-large reversible door — provides users unhindered access



### CARD READER COMPATIBLE

- Order your new dryer as Card Only to prevent vandalism and increase safety on site.
- Never have to worry about where the gold coins from your laundry end up with real time reporting and payment deposited straight into your nominated bank account.



#### COIN DROP OR CARD READER READY

MDE28PD (pictured)  
Also available in gas



#### NON-COIN

MDE28PN (pictured)  
Also available in gas

Single-Load Front-Load Matching Dryer Models		
Payment Configuration	Electric	Gas
Non-Coin	MDE28PN	MDG28PN
Coin Drop or Card Reader Ready	MDE28PD	MDG28PD



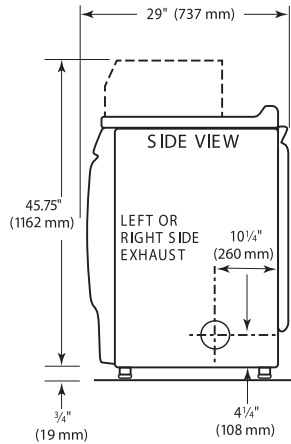
See [maytagcommerciallaundry.com](http://maytagcommerciallaundry.com) for warranty details.

# 9KG FRONT LOAD DRYERS

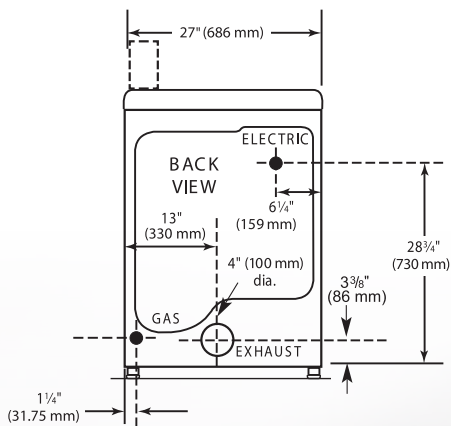


## MDE28 AND MDG28

### SIDE VIEW



### BACK VIEW



#### Maximum Exhaust Duct Length Per Number of Turns

Rigid Metal Vent

Box Hood and Louvered Style

Angled Hood Style

No. of 90° Turns	Box Hood and Louvered Style	Angled Hood Style
0	39.6 m	39.3 m
1	38.1 m	36.3 m
2	35.1 m	33.2 m
3	32.3 m	30.5 m
4	29.9 m	28.0 m



\*Includes height of metercase.

\*\*Use 4" (100mm) diameter rigid aluminium or galvanised steel duct. Never use plastic, non-metal or combustible duct.

See specific instructions for proper installation. Because of continuous product improvement, Maytag reserves the right to change specifications without notice.

Printed on Recycled Paper.

MODELS	MDE28PD MDE28PN	MDG28PD MDG28PN
<b>COIN DROP / CARD READER NON-COIN</b>		
<b>Fuel Type</b>	<b>Electric</b>	<b>Gas</b>
<b>CAPACITY</b>		
Cylinder Volume — liters	190	190
Cylinder Diameter — mm	667	667
Cylinder Depth — mm	518	518
<b>DIMENSIONS</b>		
Width — mm	686	686
Depth — mm	737	737
Height — mm (PD unit with meter case)	1,162*	1,162*
Height — mm (PN non coin unit)	997	997
Door Opening — mm	464	464
Exhaust Duct Diameter — in. (mm)	4 (100)**	4 (100)**
<b>CRATED DIMENSIONS</b>		
Crated Width — mm	738.12	738.12
Crated Depth — mm	775	775
Crated Height — mm	1,159	1,159
<b>APPROXIMATE WEIGHT</b>		
Uncrated — kg	67	68
Crated — kg	73	75
<b>ELECTRICAL REQUIREMENTS</b>		
Voltage	220-240V - 50Hz	220-240V - 50Hz
Breaker/Fuse — amps	25	10
Airflow — CFM (CMM)	215 (6.1)	230 (6.5)
Electric Heating Element (watts)	4,600	N/A