

# ALPHA

3470IDP100P62



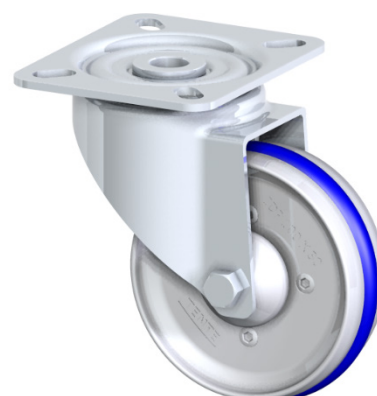
BETTER MOBILITY. BETTER LIFE.

Swivel housing made of pressed steel, zinc electroplated, double ball bearing swivel head, wheel axle with crimp nut and bolt. Lubricated with high temperature food grade grease.

Wheel made of die cast aluminum.

Tread: Heat resistant non-toxic synthetic material and non-marking.

Bearing: Precision bearing, lubricated with high temperature food grade grease.

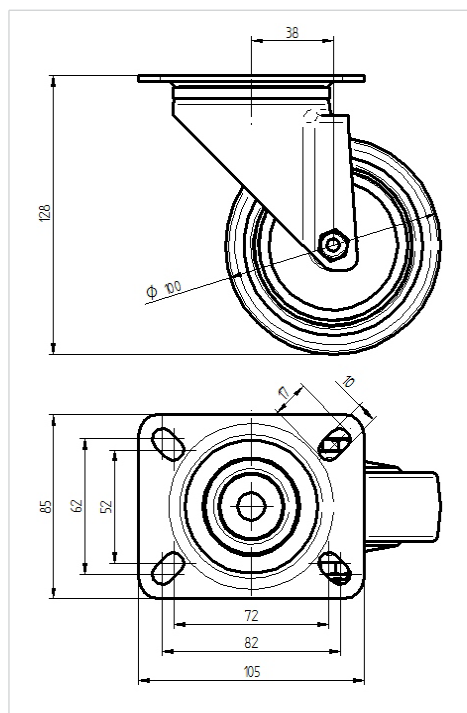


Picture may differ from original product

## Technical Data

Wheel diameter	100 mm
Width of Tread	30 mm
Hub Width	45 mm
Size of Plate	105 x 85 mm
Plate hole centres	82/72 x 62/52 mm
Plate hole	10 mm
Offset	38 mm
Overall height	128 mm
Temperature	- 30 / + 280 °C
Standard	EN 12532
Weight	0.98 kg
Hardness of tread	Shore A 80 +5
Swivel radius	88 mm
Load capacity	200 kg

## Dimensions



## Advantages at a glance

Roll performance	● ● ● ● ●
Movement noise	● ● ● ○ ○
Attrition	● ● ● ● ○
Corrosion resistance	● ● ● ● ○