

WDF-3020

FRONT LOADING
UTENSIL WASHER
DISINFECTOR



MALMET (AUSTRALIA) PTY LTD



WDF-3020

FRONT LOADING UTENSIL WASHER DISINFECTOR

The WDF is Malmet's front loading washer disinfector **designed specifically for the dirty utility room**. The WDF provides utensil washing and disinfection especially for clinical care settings, such as hospital wards and residential aged care facilities.

With options to create a workflow that suits your clinical environment, the WDF is spacious on the inside and a space-saver on the outside. When it comes to **design and functionality** in the DUR space, the WDF is an asset to inventory with benefits for clinical staff, maintenance personnel and engineers.

This functionality, teamed with streamlined operation, makes the WDF a practical addition to **any clinical setting** that requires a **high capacity** washer disinfector.

WHAT YOU CAN EXPECT FROM THE WDF-3020:

Highest standards of Infection Prevention

Independently microbiologically tested by a NATA certified laboratory, so you can rely on the same gold standard that Malmet is known for.

Easier workflow

Front loading accessibility frees up bench space for waist-height work or storage.

Less accidental stock damage

Operation controls set to suit your inventory.

Simple operation

All the bells and whistles discreetly at work within a seamless design. No complex settings or controls; just reliable results in the DUR, every time.

Smarter DUR design options

DUR specific design options. No venting required. No external hot water. Energy and water efficient.



ABOUT THE WDF-3020

The WDF is designed and manufactured in Leeton, Australia. We know the needs of health workers on the ground, and so the WDF has been designed with the clinical care setting in mind.

Wash chamber and baskets:

Two baskets allow processing for reusable medical devices including bowls of various sizes (lower), kidney dishes, and other small utensils and receivers (upper).

Control panel:

Simple, streamlined controls allow the user to quickly see and set the machine for reliable disinfection every cycle. Users can see the unit on/off status and wash cycle indication, internal chamber temperature, as well as indicators for operation status, faults and door open or close - all visible at a glance with smart indicator placement and design.

Workflow and Storage:

The WDF features underbench installation, meaning that precious DUR space is freed up for ease of workflow or storage if needed.



WDF-3020 FIT & FUNCTION

Designed with people in mind

The WDF fit and functionality is all about people. Making life simpler for care staff and managers, easier for designers and engineers, and hassle-free for maintenance staff. But most of all - ensuring reliable, safe care for patients and residents when it comes to utensil processing.

Specifications

Unit weight: Net 75kg / Operating 90kg

Unit dimensions (WxDxH mm):

Machine only: 600 x 645 x 855

Machine with Storage Cabinet - Plinth: 600 x 645 x 1360

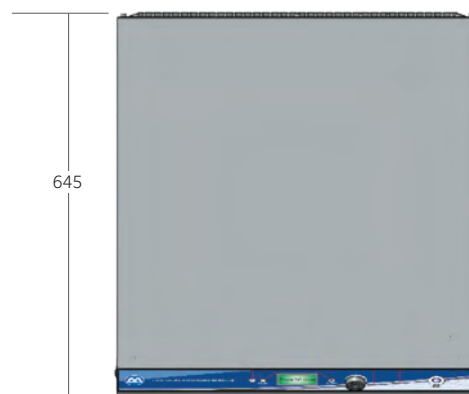
Machine with Storage Cabinet - Side: 820 x 645 x 855

Revit 3D drawing blocks:

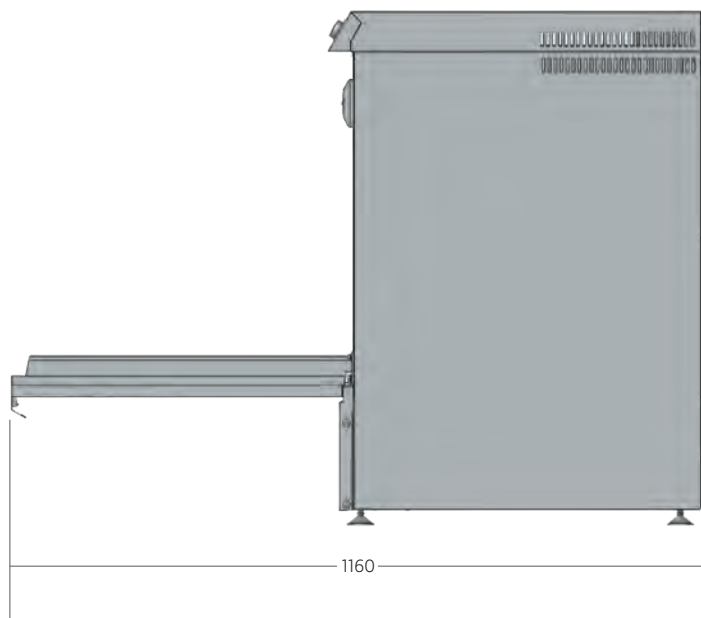
Available upon request or via malmnet.com.au

Service Connections:

See 'Operation, Maintenance and Installation Manual'



N.B. Drawings not to scale



USED WITH:

Product Code	Description
81-90715P	MALMET DETERGENT (5 LITRES) PURCHASED IN BOXES OF 4
95-5010	UTENSIL BASKET (FOR WDF-3020 UPPER BASKET)
95-5000	STORAGE CABINET - PLINTH (SUITS WDF-3020)
95-5005	STORAGE CABINET - SIDE (SUITS WDF-3020)



Utensil Washer Disinfector

“The WDF-3020 is our way of giving designers, engineers and clinical staff all the options at their fingertips as they build and provide high quality, safe care environments.”

PETER KIRKUP, CEO

SERVICE DIVISION



Malmet's quality products are built on the strong belief that people come first.

And just like our products are made with people in mind, our service division is also driven by a commitment to making life as easy as possible for the thousands of people who use our products everyday.

From our manufacturing plant operators, through to our sales staff, management and our technicians on the road - we're here to make sure your experience with Malmet is seamless. From installation through to scheduled services and validation, we know our clients rely on professional service. And that's what we pride ourselves on.

Validation and maintenance made easy

Looking for Validation Testing and Certification for existing equipment? We can work with you to ensure that your facility demonstrates compliance with industry standards. All of our validation and maintenance services are provided in accordance with AS4187:2014 and ISO15883, so you know you'll be in line with best practice.

We can also support you with a Preventative Maintenance Agreement (PMA) for all Malmet products, tailored especially to your facility's requirements. Our PMAs are competitive, and with Malmet you can rest easy knowing that your future equipment needs are in good hands.

Here for you.

Trained technicians

Our highly skilled team provides professional support and service for all Malmet brand hospital equipment. With comprehensive factory training you'll always have an expert on the job.

Fast response and high satisfaction

We attend urgent service or break-down requests within 24 hours, so you can rest assured knowing that help is never far away. And we aim to please, with consistently high results for customer service satisfaction in the course of our regular Customer Service Quality Audits.

Nationwide service

Malmet trained technicians are available across Australia, so we're not limited by interstate travel requirements or other personnel challenges. We also carry parts and supplies in stock, to minimise wait times and get your facility back on track as fast as possible.



Warning: This brochure contains general information only. If you require accurate dimensions or any other details which may affect your installation, please contact Malmet. E.&O.E. In the interest of continued product improvement, Malmet reserves the right to alter design and product specifications without notice. E.&O.E. For further information on warranty terms and conditions, please refer to Malmet's Warranty Statement. - PBL007 - Issue 012022
MEDICAL RECEPTACLES SHOWN IN ALL PHOTOS ARE NOT INCLUDED WITH UNITS.



**Supporting local healthcare facilities
with quality equipment and service**

Founded in 1969, Malmet is proudly Australian owned and operated.

Since the beginning, our focus has been on delivering high quality medical equipment solutions to hospitals and healthcare settings across Australia. And we back up our commitment to frontline healthcare workers by providing consistently high satisfaction service nationwide.

You'll find our specialised equipment supporting patient care in thousands of healthcare settings including residential aged care facilities, CSSD, Recovery, Obstetrics, Theatre, and Ward / Dirty Utility Rooms.

Malmet's head office is located in Leeton, in the heart of regional NSW. Our site is ISO 9001 and ISO 13485 Certified.

OUR RANGE



WASHER DISINFECTORS

WARMING CABINETS

DRYING & STORAGE

SERVICE & VALIDATION

VIEW OUR FULL RANGE ONLINE: WWW.MALMET.COM.AU

National Head Office & Customer Service

General Sales, Service, Export Enquiries & Accounts

Ph. +61 2 6953 7677

Email: info@malmet.com.au

For Correspondence:

PO Box 373

Leeton, NSW 2705 Australia