



Supporting you

1300 362 923

www.healthtec.com.au

## EXAMINATION RANGE

# GP Examination Table

**Suitable for a wide range of specialties including general practice, natural therapies, massage, beauty treatments or any multi-function practice.**

Two section couch that complies with RACGP recommendations. The low minimum height allows for easy access for elderly or incapacitated patients. The manually adjustable backrest ranges from flat to +70° enabling a comfortable seated or semi-reclined position. Also available with an electric backrest.



### FEATURES

Electric height adjustment with footswitch

X-Frame lift action minimises pinch and crush points

Durable powder coated rust resistant frame

High quality anti-microbial vinyl & CFC free foam

Australian designed & manufactured

### SPECIFICATIONS

WIDTH	710mm
LENGTH	1930mm
FOAM	50mm
VINYL	PVC (tested to AS1530.3)
HEIGHT RANGE	450mm to 950mm
HEIGHT SPEED	Full height within 16 seconds
CONTROLLER	Footswitch
BASE	LynX X-Frame with lockable castors
LIFT CAPACITY	250kg (moving)
SAFE WORKING LOAD	400kg (stationary)
WARRANTY	5 year Electrical Lifetime Structural (parts only)



### AVAILABLE ACCESSORIES



Procedure Arm



Gynae Leg Supports



Side Rails



Paper Towel Roll Holder



### The Healthtec Warranty

Healthtec offers a lifetime warranty on all our manufactured tables and a five year warranty on motors and foot switches from date of purchase. Original suppliers warranty applies.

ARTG 132667

© August 2018





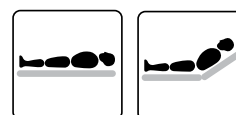
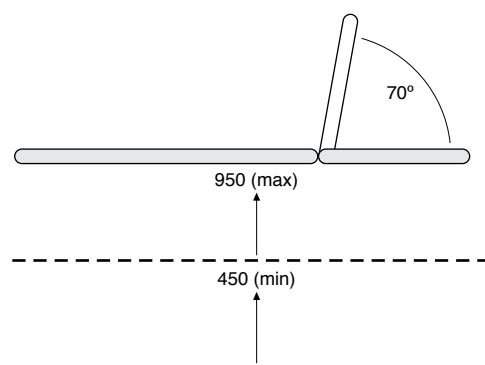
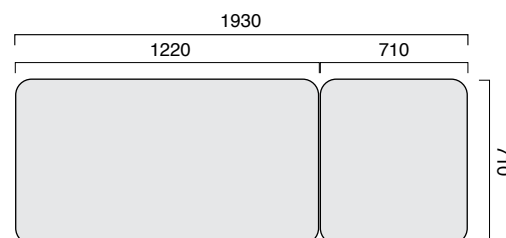
Supporting you

www.healthtec.com.au

# PRICE SHEET

## GP Examination Table

Product Description	CODE	QTY
<b>LynX GP Examination Table (710 wide) — two section (1/3–2/3) w/castors</b>	53121T-7	
<b>LynX GP Examination Table (710 wide) — two section (1/3–2/3) w/electric backrest and castors</b>	53121T-7-EB	
<b>Width Options</b>		
660mm Width Option	-65	
760mm Width Option	-75	
Custom Width Option	6014	
<b>Foam &amp; Vinyl Options</b>		
75mm Comfort Foam	6005	
Non-Stock Vinyl Option	6018	
*please refer to our colour chart for vinyl colour options		
<b>Nose Hole Options</b>		
Nose Hole	6011	
Nose Hole Plug	6010	
<b>Drawer Options</b>		
Side Drawer	5120	
<b>Examination Options</b>		
Procedure Arm	5102	
Gynae Leg Supports	5114	
Side Rail (Left/Right) Pair	5115	
<b>Table Protection</b>		
Paper Towel Roll Holder	6017	
<b>Extended Warranty</b>		
10 Years on Electrical	7800	
<b>Freight</b>		
Freight charges are not included in our prices. Please contact your Healthtec representative for freight costs and options.		
Shipping Dimensions	2050mm x 850mm x 650mm	
Shipping Weight	80kg (approximately)	



**FRECALL**  
**1300 362 923**  
 info@healthtec.com.au



Healthtec Pty Ltd ABN 94 224 518 379 ARTG 132667  
 © August 2018

Disclaimer: Due to our policy of constant product improvement, specifications may change without notice. Check with us for the latest specifications and pricing.