



designed for reliability
100% DESIGNED & MANUFACTURED IN ITALY

T5 Master Continental only

Treatment unit from **\$28,500** + GST

- Bien Air Optic electric motor slow speed line
- Fiber optical high speed line with prop solenoid valve
- Piezo scaler line
- LED bar display for instruments lines
- Minimate Doctor 3 way syringe line
- Overhead LED light
- Dual control suction line with filter trap
- Water bottle with bypass switch
- Media ready cabling *add optional LCD kit
- Nurse control keypad for cup and bowl
- Nurse tray support with aluminium tray
- Doctor programmable control keypad
- Chair program positions
- Wired foot control with chair joystick control
- Timer bowl
- Timer cup filler
- Standard soft upholstery * memory foam available
- Multi-articulated head support

FREE!

INTRA-ORAL CAMERA

COMPLIMENTARY
BONIDA Alpha DUAL USB INTRA ORAL CAMERA
*LIMIT OFFER ONLY for the first 10 units sold
or while stock last



**SURGERY START UP
DEALS**



Complete Package

\$62,136 + (GST \$68,350)

Complete Package includes

- Vitali T5 Master continental only with LCD pole mount,+ Standard white LCD screen
- Vitali doctor and nurse stools
- Mocom 17L Classic CLASS B Autoclave
- Gentilin (2+1 surgery) Cad cam ready air compressor (made 100% in Italy)
- Smartech C3+ wet suction (3+1 surgery wet suction system)
- My Ray- RXDC EXTEND with wireless remote

Ask about our H/P instruments package offer with Victor D or MK dent

Ask about our Digital imaging package offer with My-ray - Kavo - Dur Vista scan Mini

VITALI

designed for reliability

T5 MASTER



T5 Master Features - continental only

- Bien Air Optic electric motor slow speed line
- Fiber optical high speed line with prop solenoid valve
- Piezo scaler line (EMS tips thread type)
- Minimate Doctor 3 way syringe line
- Overhead LED light
- Dual control suction line with filter trap
- Water bottle with bypass switch
- Media ready cabling*
- Nurse control keypad for cup and bowl*
- Nurse tray support with aluminium tray
- Doctor programmable control keypad
- Chair program positions
- Wired foot control with chair joystick control
- Timer bowl
- Timer cup filler
- Standard soft upholstery set
- Multi-articulated head support



Optional extras

- Vitali Estro P/L Doctor stools \$950
- Vitali Estro L Nurse stool \$950
- EMS scaler kit (POA)
- Update memory foam upholstery set \$1200
- LCD pole support \$1200
- white LCD Screen *from \$450
- Nurse Minimate syringe line and holder \$850
- Nurses curing LED light kit and holder \$600
- Intra-oral camera (USB) from \$2500
- Vitali Media hub control port, USB 3 x 10 Meter cable \$650
- Vitali Media tray Keyboard (POA)
- Cattani dry separator tank with pump \$1200
- Fexi Suction hose set upgrade \$220

\$28,500
+ GST (\$31,350)

Vit-99110300 / VIT-T5 Master-cont- **continental only**

OPTIONAL EXTRAS PRICE EXCLUDES GST

Prices listed in this promotion do not include delivery, installation, Ext GST. Dentplex reserves the rights to amend pricing in this promotion without notice or obligation. Images are indicative and may include optional items. Please consult with Dentplex for more details or showroom appointments

Dentplex unit 19 11-21 Underwood rd Homebush NSW 2140

P 02 9705 8727 M 041 110 5534 info@dentplex.com.au www.dentplex.com.au



designed for reliability
100% DESIGNED & MANUFACTURED IN ITALY

T5 EVO Plus 4.0

Treatment unit from **\$33,500 + GST**

Continental or international

- LED brushless Bien Air MCX Micro motor
- Fiber optical midwest high speed line
- EMS piezo scaler line*
- Doctor Minimate 3 way syringe line
- Overhead LED light (35,000 Lux)
- Wet HVE suction line with Durr valves
- Water bottle with bypass switch*optional
- Nurse control keypad for cup and bowl
- Nurse Aluminium tray support
- Doctor keypad with bar graph display
- Chair program positions
- Vitali foot control with chair joystick control
- Auto cup filler
- Memory foam upholstery
- Double jointed anatomic head support
- Media cable ready * add LCD kit to complete



FREE!
**INTRA-ORAL
CAMERA**

COMPLIMENTARY
BONIDA Alpha DUAL USB INTRORAL CAMERA
*LIMIT OFFER ONLY for the first 10 units sold
or while stock last

SURGERY START UP DEALS



Complete Package \$68,700 + (GST \$75,570)

Complete Package includes

- Vitali T5 evo 4.0 plus with pole mount and standard LCD screen
- Mocom 22L Futura CLASS B Autoclave, Barcode printer and scanner
- Gentilin (2+1 surgery) Cad cam ready air compressor (made 100% in Italy)
- Smartech C3+ wet suction (3+1 surgery wet suction system)
- My Ray- RXDC Hypersphere with wireless remote



Available in
International or Continental



Ask about our H/P instruments package offer with Victor D or MK dent

Ask about our Digital imaging package offer with My-ray - Kavo - Dur Vista scan Mini

VITALI

designed for reliability

International or Continental

T5 EVO Plus 4.0



T5 EVO Plus 4.0 Features

- Bien Air MCX LED Optic Brushless motor slow speed line
- Fiber optical high speed line with prop solenoid valve
- EMS piezo scaler line
- Minimate Doctor 3 way syringe line
- Overhead LED light -Faro Maia
- Dual control suction line with filter trap
- Water bottle with bypass switch
- Media ready cabling
- Nurse control keypad for cup and bowl*
- Nurse tray support with aluminium tray
- Doctor programmable control keypad
- Doctor stainless steel tray support
- Doctor bar graph display for instrument on keypad
- Chair program positions for users
- Wired foot control with chair joystick control
- Timer bowl
- Timer cup filler
- Multi-articulated head support
- Standard soft upholstery set

Optional extras

- Vitali Estro P/L Doctor stools \$950
- Vitali Estro L Nurse stool \$950
- LCD pole support \$1200
- White LCD Screen *from \$450
- Nurse Minimate syringe line and holder \$850
- Nurses curing LED light kit and holder \$600
- Intra-oral camera (USB) from \$2500
- Vitali Media hub control port, USB 3 x 10 Meter cable \$650
- Vitali Media tray Keyboard (POA)
- Cattani dry separator tank with pump \$1300
- Fexi Suction hose set upgrade \$220



\$33,500

+ GST (\$36,850)

International or Continental

Vit-99140015/VIT-T5 Evo-Int-

Vit-99140010/VIT-T5 Evo-cont-

OPTIONAL EXTRAS PRICE EXCLUDES GST

Prices listed in this promotion do not include delivery, installation, Ext gst Dentplex reserves the rights to amend pricing in this promotion without notice or obligation. Images are indicative and may include optional items, Please consult with Dentplex for more details or showroom appointments

Dentplex unit 19 11-21 Underwood rd Homebush NSW 2140

P 02 9705 8727 M 041 110 5534 info@dentplex.com.au www.dentplex.com.au



designed for reliability

100% DESIGNED & MANUFACTURED IN ITALY

V8 Touch Continental or international treatment units

Treatment unit priced from **\$38,500** + GST

- LED brushless electric motor slow speed line
- Fiber optical midwest high speed line
- EMS piezo scaler line*
- Doctor Minimate 3 way syringe line
- Overhead LED light (35,000 Lux)
- Wet HVE suction line with Durr valves
- Water bottle with bypass switch
- LCD pole adaptor with White HD LCD screen
- Nurse control keypad for cup and bowl
- Nurse Aluminium tray support
- Doctor colour touch screen keypad
- Chair program positions
- Wireless foot control with chair joystick control
- UV water treatment system
- VDS-Vitali disinfection system for instrument lines
- Auto cup filler
- Memory soft upholstery
- 3D Double jointed anatomic head support
- Media cable ready *just add optional LCD kit

FREE!
**INTRA-ORAL
CAMERA**

COMPLIMENTARY
BONIDA Alpha DUAL USB INTRORAL CAMERA
*LIMIT OFFER ONLY for the first 10 units sold
or while stock last



**SURGERY START UP
DEALS**



Complete Package \$74,050 + (GST \$81,455)

Complete Package includes

- Vitali V8 Touch treatment units with LCD screen and pole mount- continental or international
- Vitali Doctor and nurse stool
- Mocom 22L Futura CLASS B Autoclave, Barcode printer, and scanner
- Gentilin (2+1 surgery) Cad cam ready air compressor (made 100% in Italy)
- Smartech C3+ wet suction (3+1 surgery wet suction system)
- My Ray- RXDC Hypersphere with wireless remote



Available in
International or Continental



Ask about our H/P instruments package offer with Victor D or MK dent

Ask about our Digital imaging package offer with My-ray - Kavo - Dur Vista scan Mini

V8 TOUCH

VITALI

designed for reliability

International or Continental



V8 Touch Features

- Bien Air MCX with Endo,Surg Optic brushless Micro motor
- Fiber optical high speed line with prop solenoid valve
- EMS piezo scaler line
- Minimate Doctor 3 way syringe line
- Digital Keypad control (Instrument and chair programs)
- Overhead Fario LED light
- Durr control suction line with filter trap
- Electric water bottle with bypass switch
- Media ready cabling
- Nurse control keypad for cup and bowl*
- Nurse tray support with aluminium tray
- Nurse Minimate Syringe line
- Doctor Digital programmable control keypad
- Chair program positions (Up to 5 users)
- Wireless foot control with chair joystick control ,programs
- Timber Alarm and Clock setting on Doctor keypad
- Memory upholstery
- 3 D air Multi articulated head support system
- UV-light water treatment system with electric bypass
- Media cabling ready
- Autoclave inline air filter



Optional extras

- Vitali Estro P/L Doctor stools \$950
- Vitali Estro L Nurse stool \$950
- V.D.S - Vitali disinfectant system for instruments *factory order only
- Pole mount kit \$1200
- white LCD screen * From \$450
- Intra-oral camera (USB) from \$2400
- Vitali Media hub control port, USB 3 x 10 Meter cable \$650
- Fexi Suction hose set upgrade \$220
- Nurse Digital Control keypad (POA)
- Cattani dry separator tank with pump \$1200

\$38,500

+ GST (\$42,350)

International or Continental

vit-99120125 vit-99120120

OPTIONAL EXTRAS ALL PRICE EXCLUDES GST

Prices listed in this promotion do not include delivery, installation, Ext GST. Dentplex reserves the rights to amend pricing in this promotion without notice or obligation. Images are indicative and may include optional items, Please consult with Dentplex for more details or showroom appointments

Dentplex unit 19 11-21 Underwood rd Homebush NSW 2140

P 02 9705 8727 M 041 110 5534 info@dentplex.com.au www.dentplex.com.au

REVOLUTIONARY
SILENT



2+1 SURGERY WITH DRYER **CAD MILLING READY**



Model Clinic 3.40

- 40-liter tank, stainless steel
- 1,80 kW (2.20 HP)
- 10 bars max. pressure
- 230V - 50Hz *
- 67 dB(A)
- Size 650 x 650x 460 (H x L x H) mm
- 1400 rpm
- pump: AXXER CSK240
- 2 cylinders
- 100% duty cycle
- 3000 hours maintenance free*
- Stainless steel tank



Axxer Motion Revolutionary Design.

AXXER MOTION is not a traditional piston and rod mechanism used on air compressors.

The piston follows a completely linear movement. Two cylinders fully support this motion. There is virtually no friction between the piston and the cylinders. No metal on metal contact. A linear motion dramatically reduces wear-and-tear, vibrations, and noise.

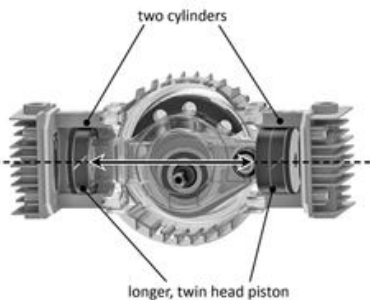
The pump requires no maintenance for up to 3000 hours. †

The piston exerts constant pressure. One of the two air chambers is always under compression.

The mechanism maintains a constant load: S1 - 100% duty cycle motor.

The pumps are 100% Made in Italy by Gentilin srl.

The pumps have an enviable 3-year warranty between service -based on 10 bars continuous operation at 40°C
AXXER MOTION pumps of up to 3,2 kW and 400 L/min on your -compressed air equipment.



SMART ECH

SMART C3+ 2+1 DENTAL UNITS

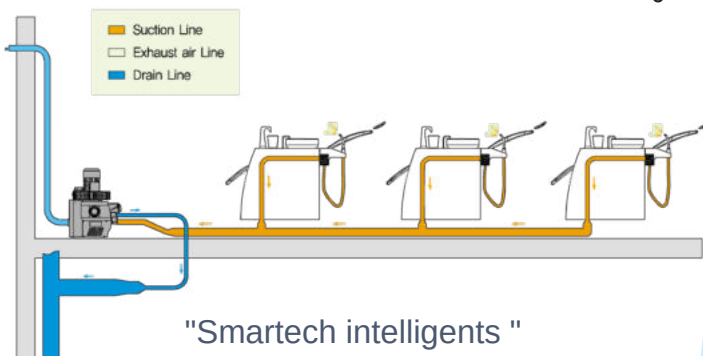


Main Voltage : 230 VAC ; 1 Phase -WBE-BF-C3K

- Frequency: 0 / 65 Hz
- Motor Power : 065 Kw
- Inverter: Mitsubishi 0.63 Kw
- Rated Current: 4.5 - 5 Amp
- Vacuum regulated : 200-370 mbar (KPa -26)
- Flow rate : l/min 520
- Weight : 32 kg
- Dimensions (L x W x H) : 41 x 51 x 61 cm
- Noise level : 68 db(A)

Dental Suction Solutions Suction Intelligence

Artificial Intelligence Mitsubishi
INVERTER control system



"Smartech intelligents"
Semi-wet suction system

World class Mitsubishi INVERTER control

High performance

No password required

