



healthtec

Supporting you

1300 362 923

www.healthtec.com.au

TREATMENT RANGE

Three Section Treatment Table

Ideal for a wide range of treatments including massage, acupuncture, osteopathy, beauty treatments, examinations, podiatry or any multi-function practice.

This three-piece treatment table has electric height control with footswitch offering multiple positioning. The manually adjustable head section with face hole can adjust from -90° to +45° with the leg section manually adjusting from flat to +70°.



FEATURES

Electric height adjustment with footswitch

X-frame lift action minimises pinch and crush points

Table can be moved similar to moving a wheelbarrow

Durable powder coated rust resistant frame

High quality anti-microbial vinyl & CFC free foam

Australian designed & manufactured

SPECIFICATIONS

| | |
|-------------------|--|
| WIDTH | 610mm |
| LENGTH | 1840mm |
| FOAM | 50mm |
| VINYL | PVC (tested to AS1530.3) |
| HEIGHT RANGE | 540mm to 860mm |
| HEIGHT SPEED | Full height within 16 seconds |
| CONTROLLER | Footswitch |
| BASE | SC X-Frame <small>*table can be moved similar to moving wheelbarrow</small> |
| LIFT CAPACITY | 250kg (moving) |
| SAFE WORKING LOAD | 400kg (stationary) |
| WARRANTY | 5 year Electrical Lifetime Structural (parts only) |



The Healthtec Warranty

Healthtec offers a lifetime warranty on all our manufactured tables and a five year warranty on motors and foot switches from date of purchase. Original suppliers warranty applies.

ARTG 132667

© August 2018





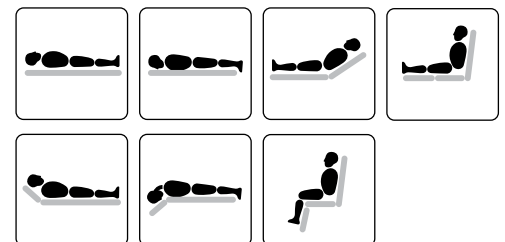
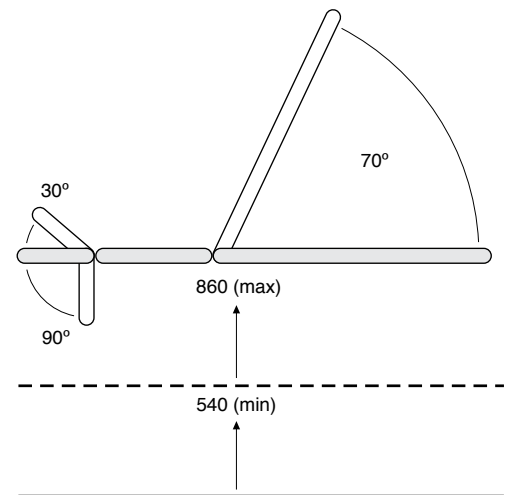
Supporting you

www.healthtec.com.au

PRICE SHEET

Three Section Treatment Table

| Product Description | CODE | QTY |
|--|------------------------|-----|
| Product Description | | |
| SC Treatment Table (610 wide) - Three Section w/castors (TiMotion) | 56031T-6 | |
| Width Options | | |
| 660mm Width Option | -65 | |
| 710mm Width Option | -71 | |
| 760mm Width Option | -75 | |
| Foam & Vinyl Options | | |
| 75mm Comfort Foam | 6005 | |
| Non-Stock Vinyl Option | 6018 | |
| *please refer to our colour chart for vinyl colour options | | |
| Nose Hole Option | | |
| Nose Hole Plug | 6010 | |
| Armrest Option | | |
| Procedure Arm | 5102 | |
| Gynae Option | | |
| Gynae Leg Supports | 5114 | |
| Table Protection | | |
| Paper Towel Roll Holder | 6017 | |
| Extended Warranty | | |
| 10 Years on Electrical | 7800 | |
| Freight | | |
| Freight charges are not included in our prices. Please contact your Healthtec representative for freight costs and options. | | |
| Shipping Dimensions | 2050mm x 850mm x 650mm | |
| Shipping Weight | 80kg (approximately) | |



FRECALL
1300 362 923
info@healthtec.com.au



Healthtec Pty Ltd ABN 94 224 518 379 ARTG 132667
© August 2018

Disclaimer: Due to our policy of constant product improvement, specifications may change without notice. Check with us for the latest specifications and pricing.