

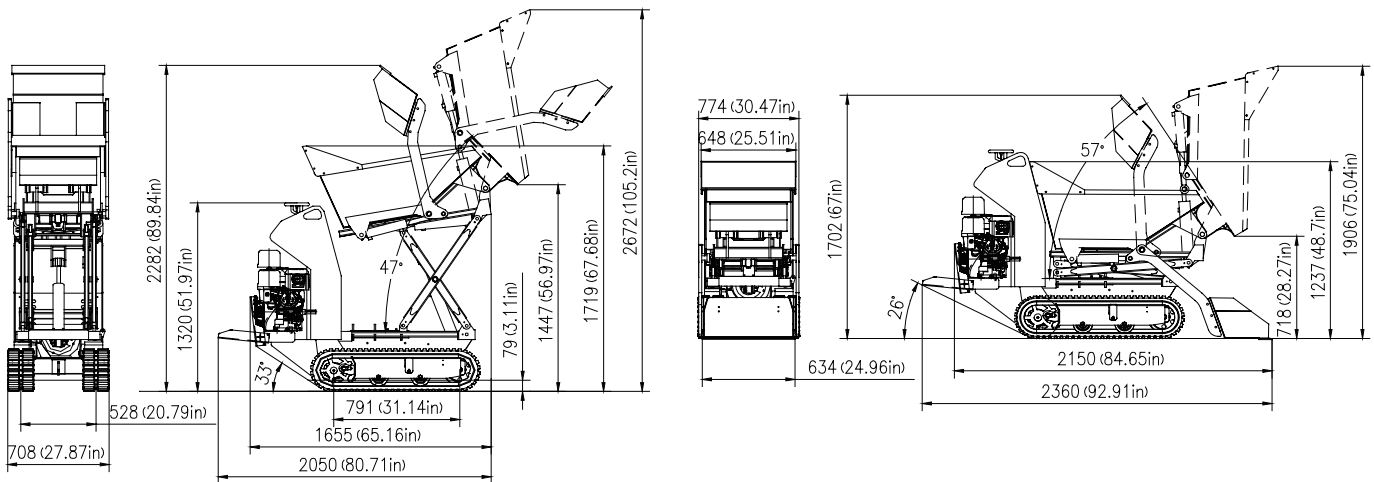


# HD05 MINI DUMPER



- \* HD05 mini dumper own compact size ,can ensures the dumper to transport kinds of materials in small (narrow)space.
- \* very easy to maintenance . Thanks to the open-style design of left-side, right-side and back cover guards; you can fill oil and exchange filters for the dumper conveniently.
- \* High efficiency :Auto charging system can save your time and effort to load all kinds of material into the skip. 1447mm dumping height can transport various materials to the truck

## HD05 mini dumper specification



| HD05 mini crawler dumper      |                                     |
|-------------------------------|-------------------------------------|
| Bucket                        |                                     |
| Length                        | 45.3inch(1150mm)                    |
| Width                         | 45.3inch(648mm)                     |
| Height                        | 20.3inch(515mm)                     |
| Capacity                      | 0.2 m <sup>3</sup>                  |
| Self-exchanging skid capacity | 0.04 m <sup>3</sup>                 |
| Angle of dumping              | 57°                                 |
| Angle from the ground         | 10°                                 |
| Engine Brand                  | Briggs&Stratton 13.4HP/ Kohler 14HP |
| Fuel                          | Gasoline                            |
| Rotating speed                | 3000r/min                           |
| Cylinder                      | 1                                   |
| System pressure               | 16MPa                               |
| System flow                   | 12ml/min                            |
| Hydraulic oil tank capacity   | 19.4L                               |
| Body of machine               |                                     |
| Operating weight              | 600kg                               |
| Load capacity                 | 500kg                               |
| Fuel tank                     | 5.5L                                |
| Speed                         | 3.5km/h                             |
| Climbing capacity             | 21%                                 |